



## ORDERING CODES

RH

Solenoid Valf  
Solenoid ValveNominal Ölçü  
Nominal Bore(mm) RH06-RH10Hidrolik Şema Tablo 1  
Hydraulic Schema Table 1

## Kontrol Şekilleri / Type of Control

Solenoid / Solenoid .....1  
 Hidrolik / Hydraulic .....2  
 Mekanik / Mechanic .....4  
 Pnomatik / Pneumatic .....6  
 Manual / Manual .....7

Modifikasyon  
Modification

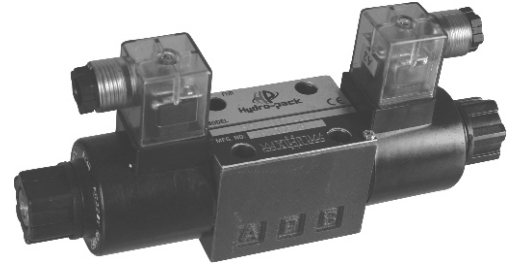
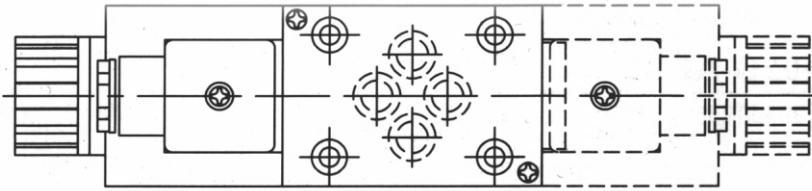
Voltaj/ Frekans/  
Voltage Frequency  
[V] [Hz]  
 12 00  
 24 00  
 110 50  
 220/380 50

HİDROLİK ŞEMA (Tablo 1)  
HYDRAULIC SCHEMA (Table 1)

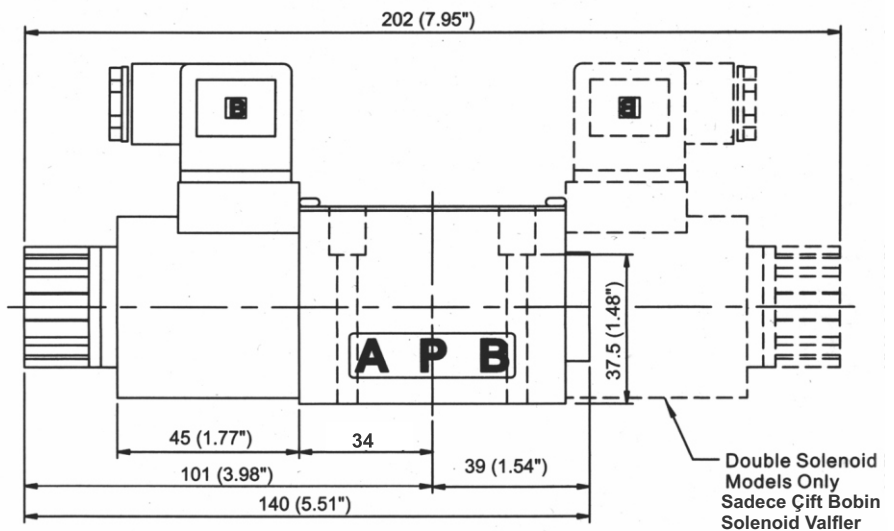
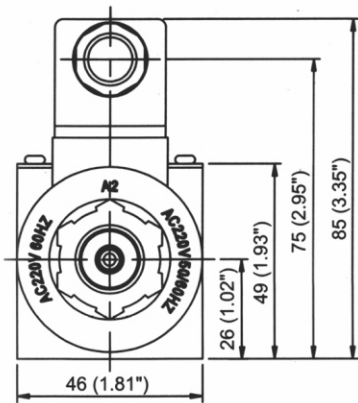
SİPARİŞ KODU / ORDERING CODE	SEMBOL / SYMBOL	SİPARİŞ KODU / ORDERING CODE	SEMBOL / SYMBOL	SİPARİŞ KODU / ORDERING CODE	SEMBOL / SYMBOL
00		16		39	
01		17		40	
02		18		41	
04		20*		42	
05		21		45	
06		24		61	
08		26		62	
10		27		64	
11		28		68	
12		32		70	
13		33		83	
14		36		20*-with detent	



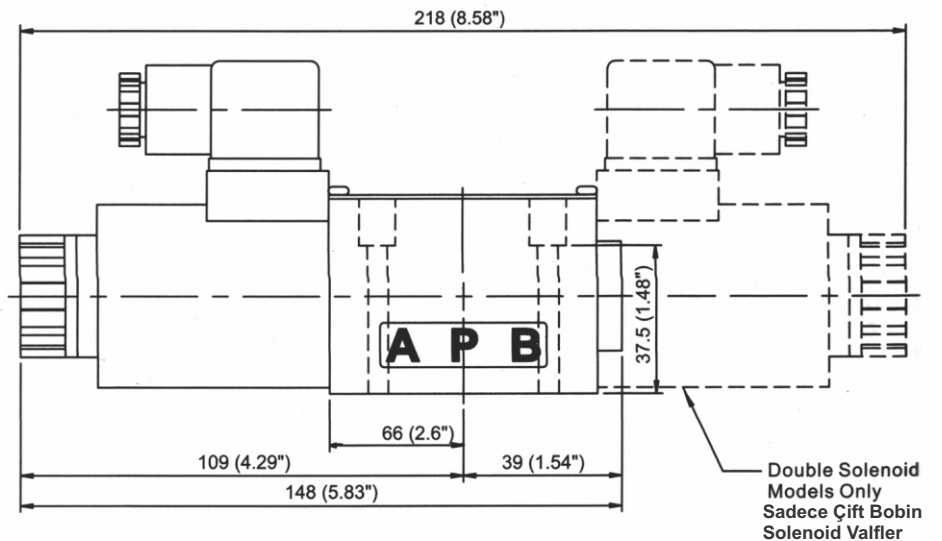
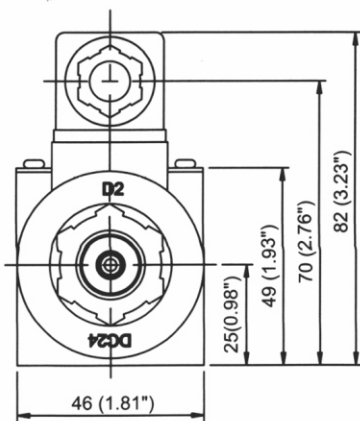
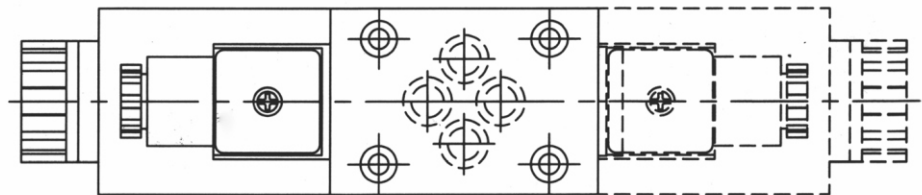
Montaj Arayüzü: ISO 4401-AV-03-4-A  
Mounting Interface: ISO 4401-AV-03-4-A



RH06.../220V AC

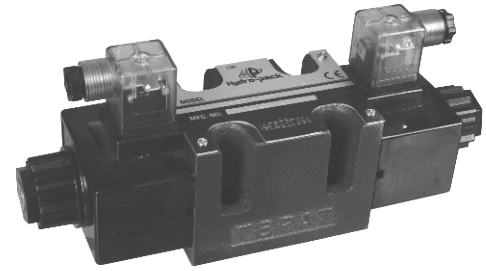
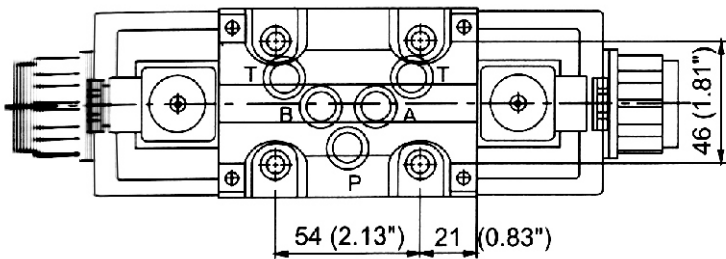


RH06.../12V;24V DC

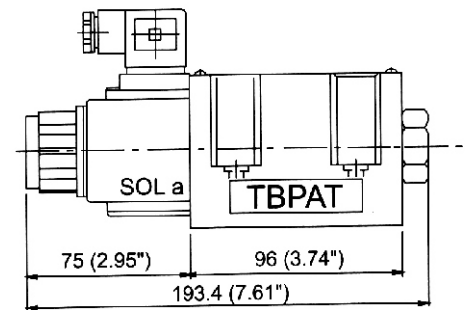
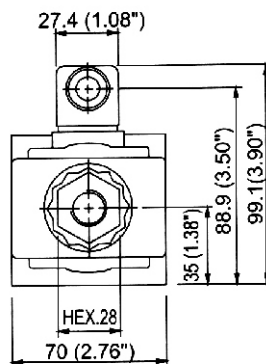
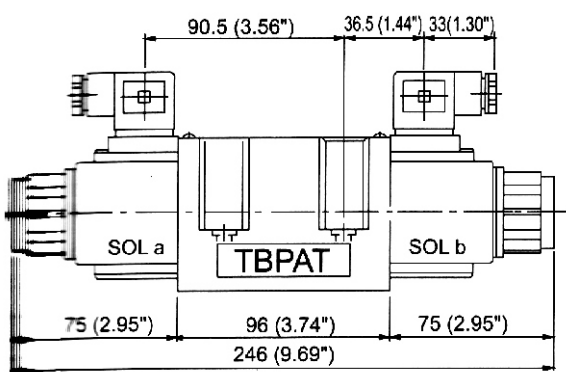




Montaj Arayüzü: ISO 4401-AC-05--4-A  
Mounting Interface: ISO 4401-AC-05--4-A  
Unit: mm



RH10.../220V AC



Montaj Arayüzü: ISO 4401-AC-05--4-A  
Mounting Interface: ISO 4401-AC-05--4-A  
Unit: mm

RH10.../12V;24V DC

