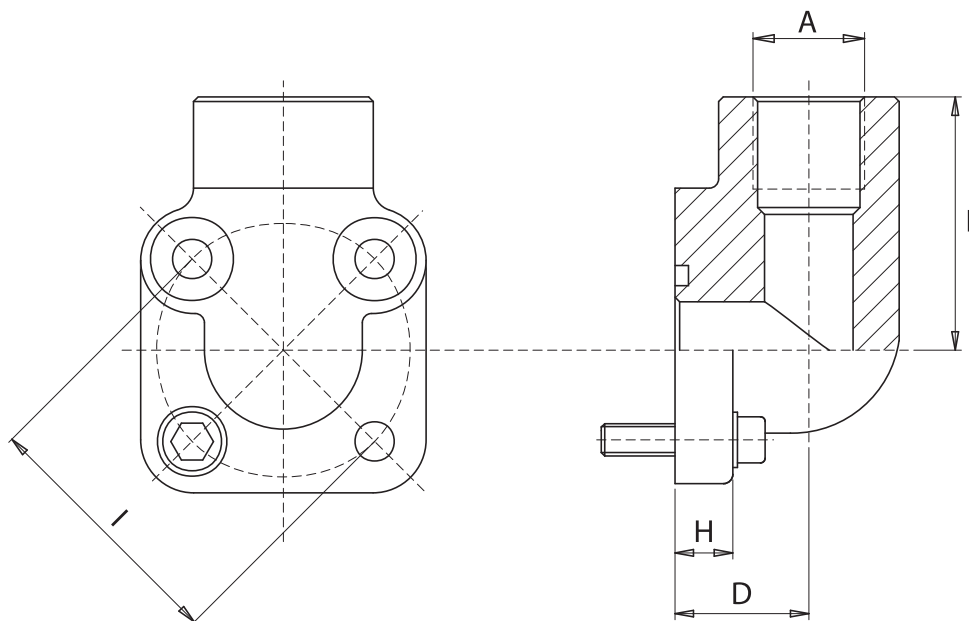


Raccordo RIA RIA coupling



Materiale: Acciaio (zincato bianco)
Material: Steel (white zinc plated)



Press. max bar	Tipo Type	I	A BSP	D	H	L	Viti / Screws		O-Rings
							N 2	N 2	
315	RIA 30-038	30	3/8"	19	11	40	M6x20	M6x35	121
315	RIA 30-012	30	1/2"	19	11	40	M6x20	M6x35	121
315	RIA 35-038	35	3/8"	18	11.5	40	M6x20	M6x35	3075
315	RIA 35-012	35	1/2"	18	11.5	40	M6x20	M6x35	3075
250	RIA 40-038	40	3/8"	24	13	42.5	M6x25	M6x45	132
250	RIA 40-012	40	1/2"	24	13	42.5	M6x25	M6x45	132
250	RIA 40-034	40	3/4"	24	13	42.5	M6x25	M6x45	132
250	RIA 55-012	55	1/2"	34	13	54	M8x25	M8x60	4118
250	RIA 55-034	55	3/4"	34	13	54	M8x25	M8x60	4118
250	RIA 55-100	55	1"	34	13	54	M8x25	M8x60	4118

Esempio codice di ordinazione - Ordering example

RIA 55 - 100 - M

Raccordo
Coupling

Viti metriche, rondelle, O-Rings
Metrical screws, washers, O-Rings
(zincate bianche - white zinc plated)



ОАО "Белпромимпэкс"

www.bpi-hydro.by
gidro@bpi.by

Контакты:

Тел./факс: (017) 346-80-64

Моб. Velcom: (029) 102-14-14