



## Contents

Pump type	Page	Pump type	Page	Pump type	Page	Pump type	Page
20A(C)...X006(H)	4	20A(C)...X158	50	20A(C)...X352	96	20A(C)...X539S	139
20A(C)...Y006	5	20A(C)...X161	51	20A(C)...X354	97	20A(C)...X540WMS	140
20A(C)...X007...(H)	6	20A(C)...X167...	52	20A(C)...X355	98	20A(C)...X540WMS-2	141
20A(C)...X008...	7	20A(C)...X168	53	20A(C)...X358(H)	99	20A(C)...X541	142
20A(C)...X016...(H)	8	20A(C)...X170	54	20A(C)...X359W	100	20A(C)...X550HD	143
20A(C)...X016...W(H)	9	20A(C)...X172	55	20A(C)...X364VW1	101	20A(C)...X554...(H)	144
20A(C)...X021	10	20A(C)...X173	56	20A(C)...X368...	102	20A(C)...X555	* 98
20A(C)...X022	11	20A(C)...X178	57	20A(C)...X369	103	20A(C)...X560...	145
20A(C)...X030(H)	12	20A(C)...X185	58	20A(C)...X380	104	20A(C)...Y566D...	146
20A(C)...X066(H)	13	20A(C)...X186	59	20A(C)...X381	105	20A(C)...X567...	147
20A(C)...X067(H)	14	20A(C)...X187	60	20A(C)...X398	106	20A(C)...X573	148
20A(C)...X072	15	20A(C)...X188(AS)	* 15	20A(C)...X402	107	20A(C)...X574(H)	149
20A(C)...X073(H)	16	20A(C)...X192(H)	61	20A(C)...X404	108	20A(C)...X577(H)	150
20A(C)...X074...	17	20A(C)...X194	62	20A(C)...X409HF	109	20A(C)...X578	151
20A(C)...Y075...	18	20A(C)...X195	63	20A(C)...X411	* 96	20A(C)...X581	152
20A(C)...X077(H)	19	20A(C)...X196	64	20A(C)...X413	110	20A(C)...X583	153
20A(C)...X080(H)	20	20A(C)...X201...	65	20A(C)...X419	111	20A(C)...X586...	154
20A(C)...Y080	21	20A(C)...X205	66	20A(C)...X423VW	112	20A(C)...X586B	155
20A(C)...X083...	22	20A(C)...X206...	67	20A(C)...X429V	113	20A(C)...X588...	156
20A(C)...X085(H)	23	20A(C)...X207	68	20A(C)...X450	114	20A(C)...X590	157
20A(C)...X085W	24	20A(C)...X210	69	20A(C)...X451	115	20A(C)...X596	158
20A(C)...X086(H)	25	20A(C)...X218	70	20A(C)...X457...	116	20A(C)...X597	159
20A(C)...X087	26	20A(C)...X219...	71	20A(C)...X458	117	20A(C)...X601	160
20A(C)...X091	27	20A(C)...X223	72	20A(C)...X464H	118	20A(C)...X602	161
20A(C)...X095(H)	28	20A(C)...X224(H)	73	20A(C)...X466(H)	119	20A(C)...X604	162
20A(C)...X096(H)	29	20A(C)...X226...	74	20A(C)...X467...	120	20A(C)...X621...	163
20A(C)...X097(H)	30	20A(C)...X227...	75	20A(C)...X478	121	20A(C)...X622...	164
20A(C)...X102	31	20A(C)...X234...	76	20A(C)...X494...	122	20A(C)...X626UM	165
20A(C)...X103	32	20A(C)...X259	77	20A(C)...X495...	123	20A(C)...X627WUM	166
20A(C)...X104	33	20A(C)...X262...	78	20A(C)...X496...	124	20A(C)...X628UM	167
20A(C)...X110...	34	20A(C)...X269	79	20A(C)...X497	125	20A(C)...X634	168
20A(C)...X111...	35	20A(C)...X295	80	20A(C)...X498H	126	20A(C)...X636	169
20A(C)...X114	36	20A(C)...X296	81	20A(C)...X500W	127	20A(C)...X637	170
20A(C)...X124	37	20A(C)...X301...	82	20A(C)...X506	* 4	20A(C)...X638...	171
20A(C)...X126(K)	38	20A(C)...X304	83	20A(C)...X508	* 99	20A(C)...X647	172
20A(C)...X126W	39	20A(C)...X305	84	20A(C)...X511...	128	20A(C)...X650U	173
20A(C)...X127	40	20A(C)...X306...	85	20A(C)...X514...	129	20A(C)...X654	174
20A(C)...X128	41	20A(C)...X307...	86	20A(C)...X516	* 8	20A(C)...X655U	175
20A(C)...X132	42	20A(C)...X315	87	20A(C)...X518	130	20A(C)...X656HD	176
20A(C)...X139	43	20A(C)...X316	88	20A(C)...X525	131	20A(C)...X664H	177
20A(C)...X140	44	20A(C)...X318W	89	20A(C)...X528	132	20A(C)...X665H	178
20A(C)...X141...	45	20A(C)...X320...	90	20A(C)...X529	133	20A(C)...X670...	179
20A(C)...X145	* 85	20A(C)...X321	91	20A(C)...X536	134	20A(C)...X671HDJD	180
20A(C)...X147	46	20A(C)...X327	92	20A(C)...X537	135	20A(C)...X687...	181
20A(C)...X153	47	20A(C)...X328	93	20A(C)...X538	136		
20A(C)...X156...	48	20A(C)...X341	94	20A(C)...X538S	137		
20A(C)...X156B	49	20A(C)...X347	95	20A(C)...X539	138		

### General description

The gear pumps are designed for transforming the mechanical energy as energy of the working liquid (pressure and flow rate). They are simplified in construction and they have a relatively low cost. All these benefits ensure their wide application in the hydraulic systems.

### Drive arrangements

The pump drive may be direct or indirect (by gear, chains, or belt transmissions). Both drives should not impose axial or radial forces on the pump shaft. Oldham coupling serrated drive adapters are used with direct drive. For indirect drive refer to the manufacturer.

### The gear pumps are designed to work at the conditions mentioned below:

- Working liquid:	hydraulic oils with viscosity 16 ... 200 mm <sup>2</sup> /s;
- Degree of filtration:	15 ... 25 ì m;
- Ambient temperature range:	- 22 ... 55 °C;
- Fluid temperature range:	- 25 ... 80 °C;
- Inlet pressure, absolute:	0.8 ... 2.2 bar;
- Fluid velocity (suction line)	0,5 ... 1 m/s
- Outlet pressure	up to 250 bar.

The gear pumps made by "Caproni" are produced in 5 different groups: 00, 10, 20 and 20H, 30 and 40. The displacements of the pumps are in the range from 0.25 to 60 cm<sup>3</sup>.

Group 00	q = 0.25 ... 2 cm <sup>3</sup> ;
Group 10	q = 1 ... 9.8 cm <sup>3</sup> ;
Group 20	q = 4.5 ... 25 cm <sup>3</sup> ;
Group 20H	q = 15 ... 36 cm <sup>3</sup> ;
Group 30	q = 20 ... 60 cm <sup>3</sup> ;
Group 40	q = 46 ... 60 cm <sup>3</sup> .

There are different variants of flanges, shafts and ports for each pump group (standard; Germany; USA ...).

### We offer the next variants too:

- tandem pumps;
- pumps with build-in valves;
- reversible pumps;
- reversible gear motors.

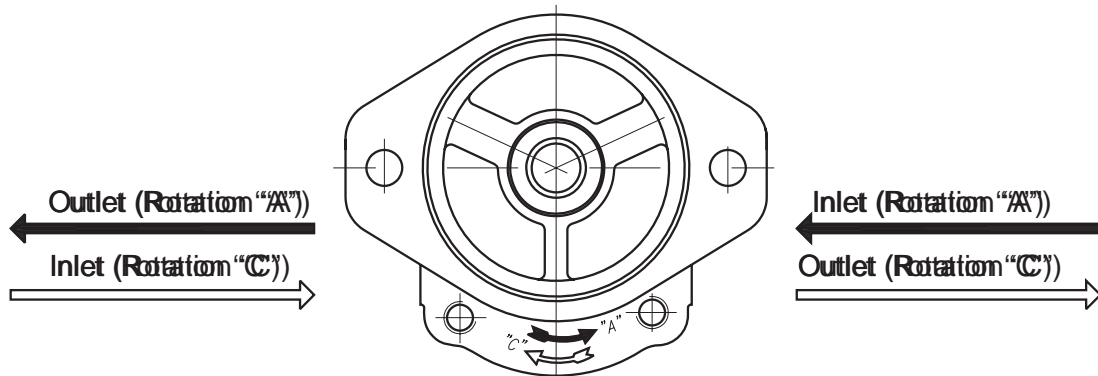
### Used symbols:

n - speed of rotation	[min <sup>-1</sup> ];
p - pressure	[bar];
q - displacement	[cm <sup>3</sup> ];
$\eta$ - total efficiency $\eta = \eta_q \cdot \eta_{hm}$	[-];
$\eta_{hm}$ - hydromechanical efficiency	[-];
$\eta_q$ - volumetric efficiency	[-].

### Commonly used formulas:

Flow:	$Q = \frac{q \cdot n \cdot \eta}{1000}$	[l/min]
Torque:	$M \cong \frac{q \cdot p}{20 \cdot \pi}$	[N.m]
Drive power:	$P = \frac{Q \cdot p}{600}$	[kW]

A relationship between the direction of rotation and the place of the inlet and outlet ports of the pumps



How to order:

Group	Rotation	Displacement code	Drive shaft	Pump code	Ports
00 10 20 30 40	A ↺ C ↻ R ↻		X - Through the front cover Y - Through the both covers	***(*)	- A ange with metric threads P4 - A ange with UNC threads M - Metric G - GAS U - SAE J475

Group 00	
Code	cm <sup>3</sup>
0,25	0,25
0,3	0,3
0,5	0,5
0,75	0,75
1	1
1,25	1,25
1,5	1,5
1,75	1,75
2	2

Group 10	
Code	cm <sup>3</sup>
1	1
1,25	1,25
1,6	1,6
2	2
2,5	2,5
2,65*	2,65
3,15	3,15
3,65	3,65
4,2	4,2
4,7*	4,7
5	5
5,7	5,7
6,1	6,1
7,4	7,4
8*	8
8,5	8,5
9,8	9,8

Group 20	
Code	cm <sup>3</sup>
4,5	4,5
6,3	6,3
7*	7
8,2	8,2
10	10
11	11,3
12	12
14	14
15	15
16	16
17*	17,3
19	19
22	22
25	25
28	28
32	32
36	36

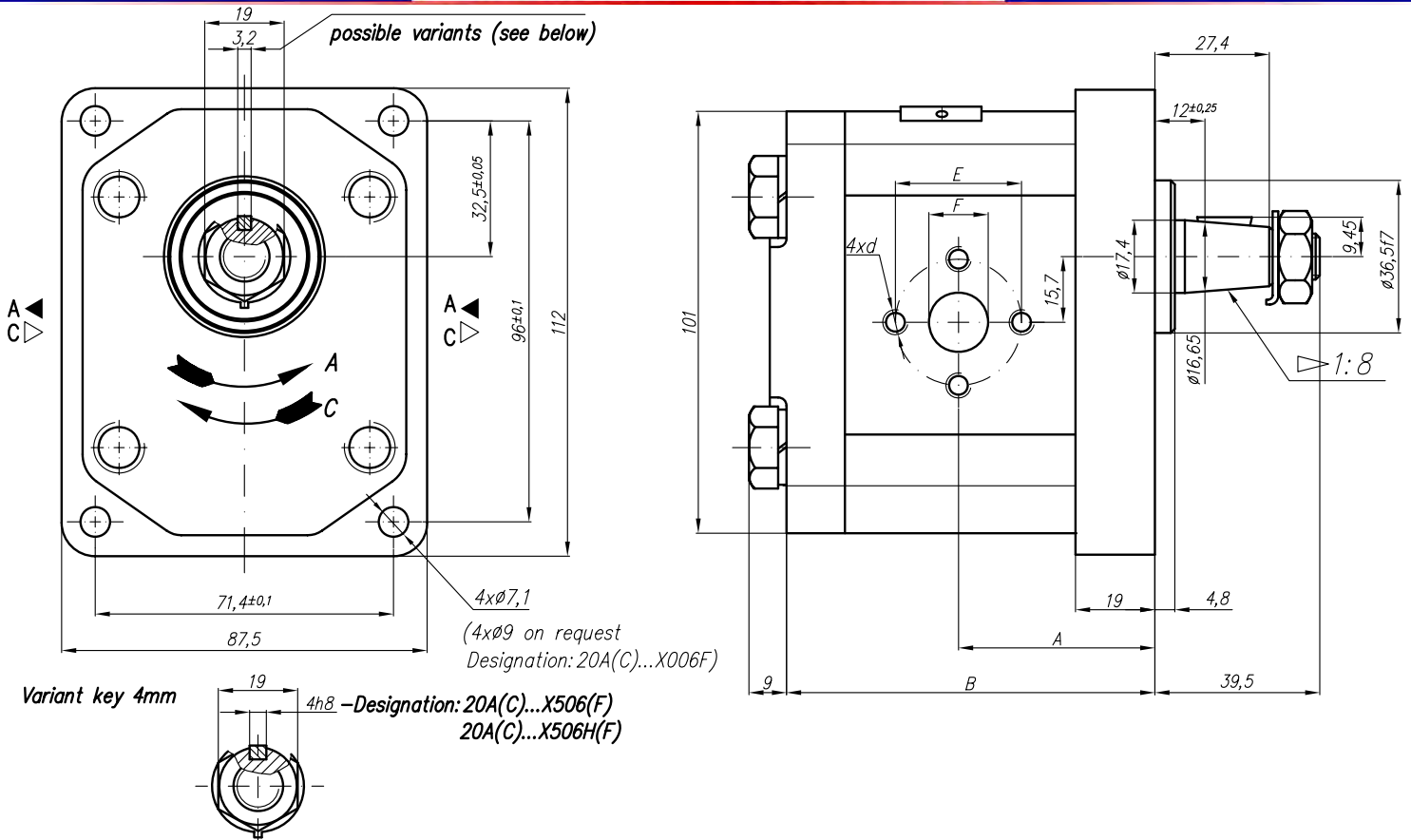
Group 20H	
Code	cm <sup>3</sup>
15	15
16	16
19	19
22	22
25	25
28	28
32	32
36	36

Group 30	
Code	cm <sup>3</sup>
20	20
22,5	22,5
25	25
28	28
32	32
36	36
42	42
46	46
50	50
55	55
60	60

Group 40	
Code	cm <sup>3</sup>
36	36
42	42
46	46
50	50
55	55
60	60

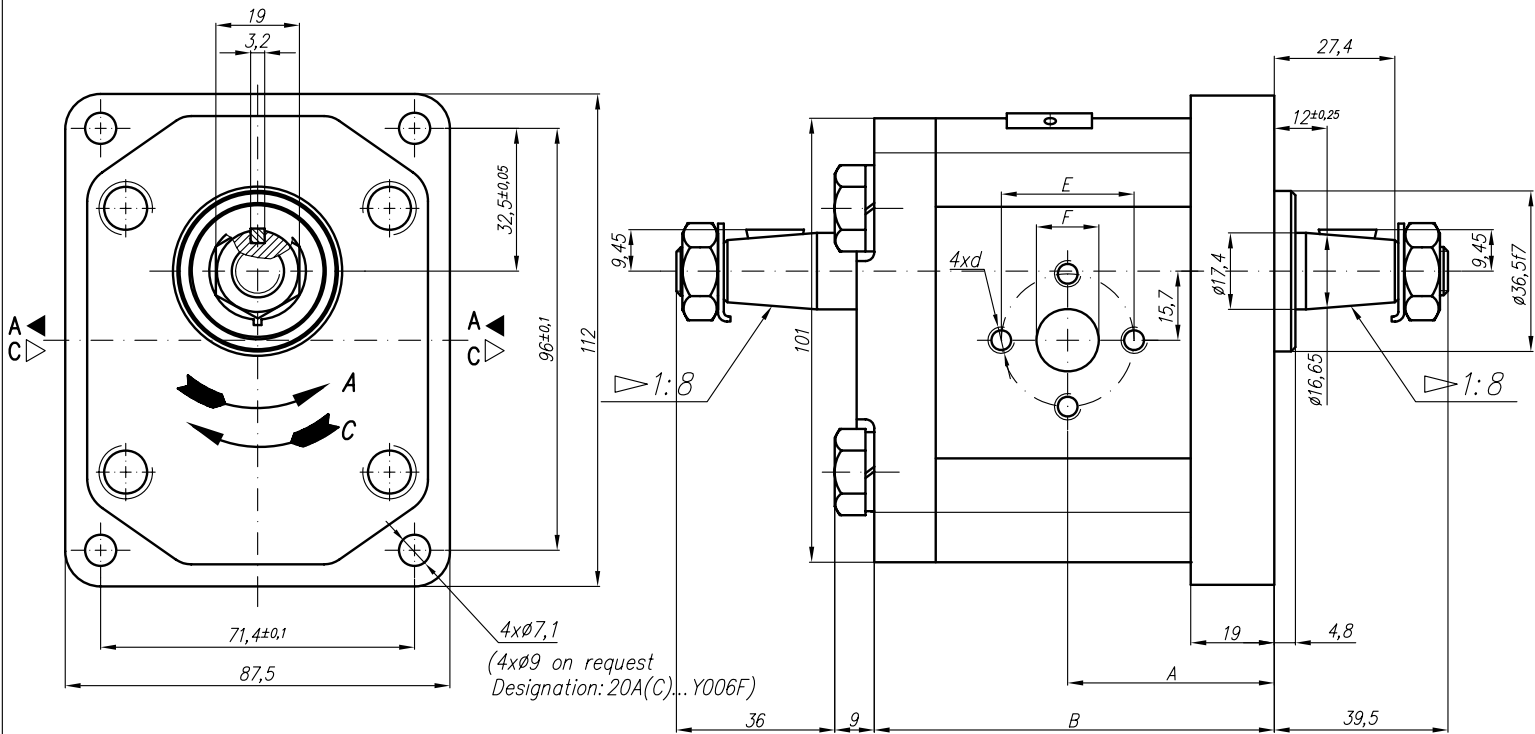
**Example:** 20A14X073 - Hydraulic gear pump, 20 group, direction of rotation - counter clockwise, displacement 14 cm<sup>3</sup>, modification 073.

\* - These pumps - only under a special order

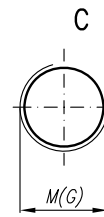
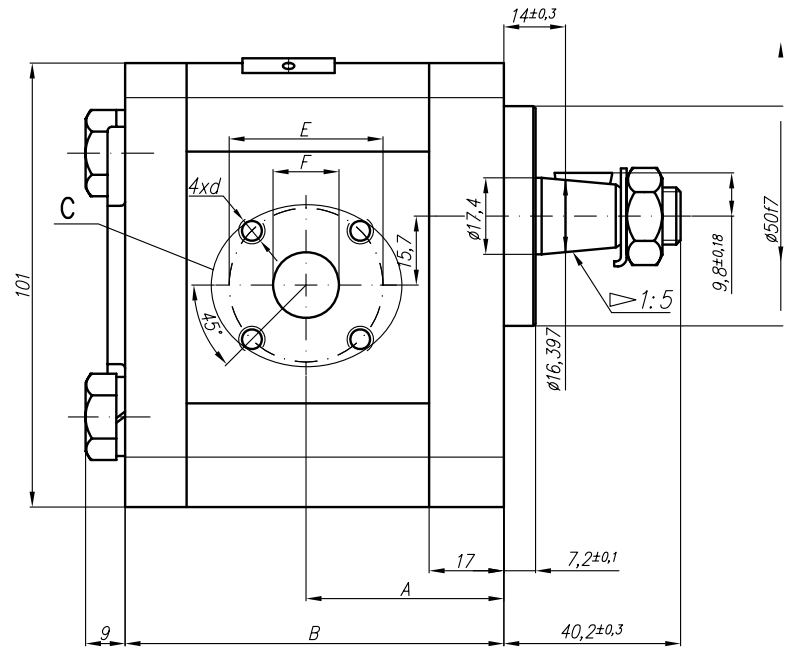
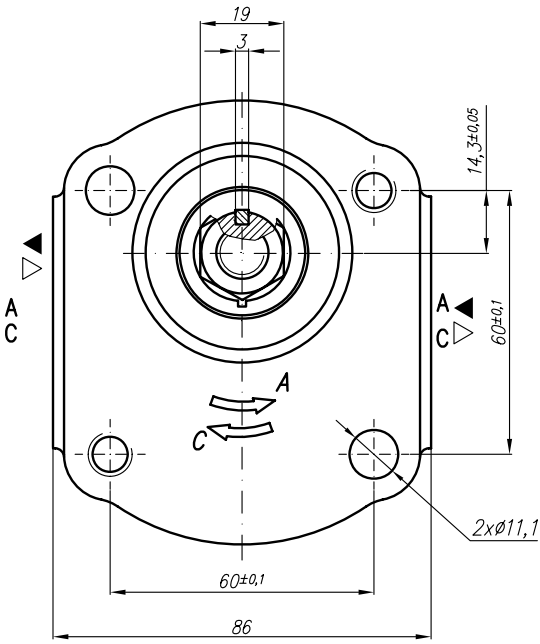


Type	Displacement cm <sup>3</sup> /rev	Flow		Pressure P <sub>nom</sub> bar	max Speed n rpm	Dimension							
		at 1500 rpm l/min	at max rpm l/min			Inlet			Outlet				
						A mm	B mm	E mm	F mm	d mm	E mm	F mm	d mm
20A(C)4,5X006	4,5	6,14	14,33	250	3500	42,5	80	30,2	13,1	M6-6H	30,2	13,1	
20A(C)6,3X006	6,3	8,69	20,29	250	3500	42,5	80						
20A(C)8,2X006	8,2	11,32	26,40	250	3500	42,5	80						
20A(C)10X006	10	13,95	32,55	250	3500	47	89	39,7	19	M8-6H	30,2	14,2	M6-6H
20A(C)11X006	11,3	15,76	36,78	250	3500	48	91,1						
20A(C)12X006	12	16,92	39,48	250	3500	48,6	92,3						
20A(C)14X006	14	19,95	46,55	250	3500	50	95,4	39,7	19	M8-6H	30,2	14,2	M6-6H
20A(C)15X006	15	21,60	36,00	250	2500	51	96,9						
20A(C)16X006	16	23,04	38,40	250	2500	52	98,6						
20A(C)19X006	19	27,36	45,60	200	2500	54	103,5	39,7	19	M8-6H	30,2	14,2	M6-6H
20A(C)22X006	22	31,68	42,24	180	2000	57	108,5						
20A(C)25X006	25	36,00	48,00	160	2000	59,2	113,4						
20A(C)14X006H	14	20,16	47,04	250	3500	55,3	105,7	39,7	19	M8-6H	30,2	14,2	M6-6H
20A(C)15X006H	15	21,60	43,20	250	3000	56	107,2						
20A(C)16X006H	16	23,04	46,08	250	3000	56,9	108,8						
20A(C)17,3X006H	17,3	24,91	49,82	230	3000	58	110,9	39,7	19	M8-6H	30,2	14,2	M6-6H
20A(C)18,2X006H	18,2	26,21	52,42	210	3000	58,8	112,5						
20A(C)19X006H	19	27,36	54,72	200	3000	59,4	113,8						
20A(C)22X006H	22	31,68	52,80	180	2500	61,9	118,8	39,7	19	M8-6H	30,2	14,2	M6-6H
20A(C)25X006H	25	36,00	60,00	160	2500	64,3	123,7						
20A(C)28X006H	28	40,32	67,20	130	2500	66,8	128,5						
20A(C)32X006H	32	46,08	61,44	120	2000	70	134,8	39,7	19	M8-6H	30,2	14,2	M6-6H
20A(C)36X006H	36	51,84	69,12	100	2000	73,2	141,4						





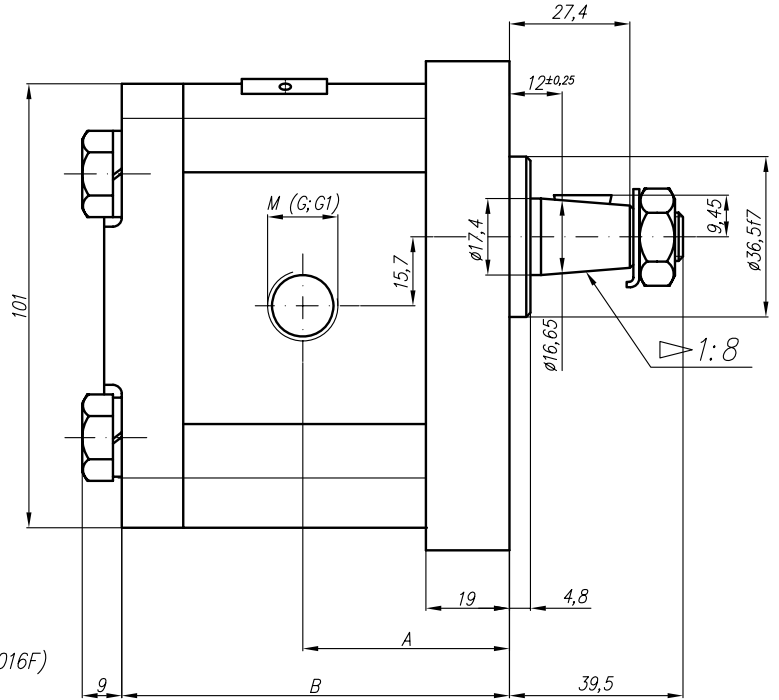
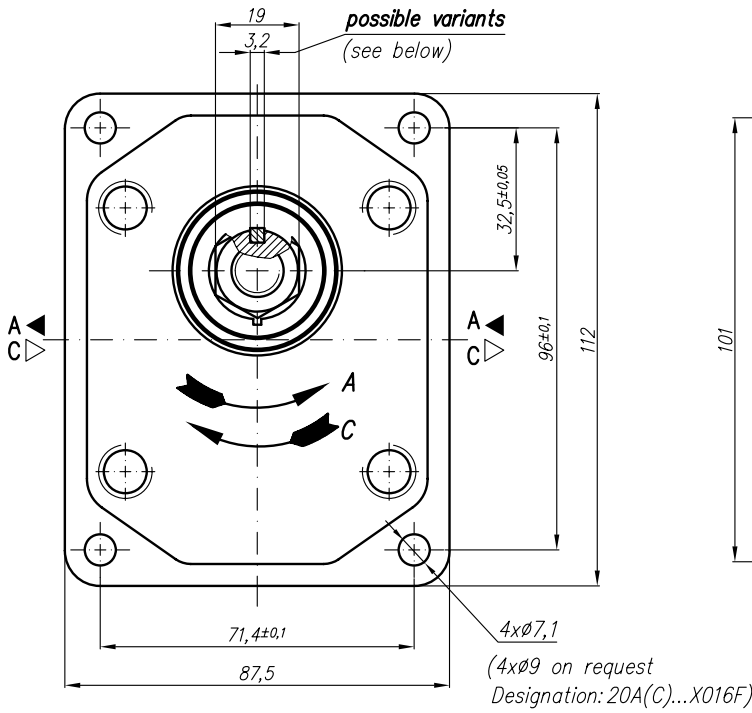
Type	Displacement cm <sup>3</sup> /rev	Flow		Pressure P <sub>nom</sub> bar	max Speed n rpm	Dimension							
		at 1500 rpm l/min	at max rpm l/min			A mm	B mm	Inlet			Outlet		
								E	F	d	E	F	d
20A(C)4,5Y006	4,5	6,14	14,33	250	3500	42,5	80	30,2	13,1	M6-6H	30,2	13,1	M6-6H
20A(C)6,3Y006	6,3	8,69	20,29	250	3500	42,5	80						
20A(C)8,2Y006	8,2	11,32	26,40	250	3500	42,5	80						
20A(C)10Y006	10	13,95	32,55	250	3500	47	89	39,7	19	M8-6H	30,2	14,2	M6-6H
20A(C)11Y006	11,3	15,76	36,78	250	3500	48	91,1						
20A(C)12Y006	12	16,92	39,48	250	3500	48,6	92,3						
20A(C)14Y006	14	19,95	46,55	250	3500	50	95,4						
20A(C)15Y006	15	21,60	36,00	250	2500	51	96,9						
20A(C)16Y006	16	23,04	38,40	250	2500	52	98,6						
20A(C)19Y006	19	27,36	45,60	200	2500	54	103,5	39,7	19	M8	19	M8	
20A(C)22Y006	22	31,68	42,24	180	2000	57	108,5						
20A(C)25Y006	25	36,00	48,00	160	2000	59,2	113,4						



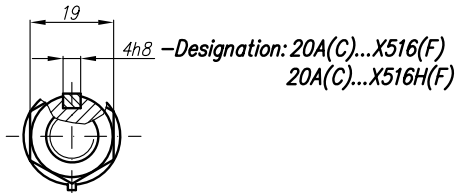
Variants M(G):  
Designation 20A(C)...X007M(G)

Type	Displacement cm <sup>3</sup> /rev	Flow		Pressure P <sub>nom</sub> bar	max Speed n rpm	Dimension																								
		at 1500 rpm l/min	at max rpm l/min			Inlet			Outlet																					
						A mm	B mm	E	F	d	M	G	U	E	F	d	M	G	U											
20A(C)4,5X007...	4,5	6,14	14,33	250	3500	37,3	75,1	40	15	M6-6H	M20x1,5	G1/2		35	15	M6-6H	M16x1,5	G1/2												
20A(C)6,3X007...	6,3	8,69	20,29	250	3500	38,6	78																							
20A(C)7X007...	7	9,66	22,54	250	3500	42,5	82,1																							
20A(C)8,2X007...	8,2	11,32	26,40	250	3500	40,6	78																							
20A(C)10X007...	10	13,95	32,55	250	3500	45	87																							
20A(C)11X007...	11,3	15,76	36,78	250	3500	45	89,1																							
20A(C)12X007...	12	16,92	39,48	250	3500	45	90,3																							
20A(C)14X007...	14	19,95	46,55	250	3500	45	93,4																							
20A(C)15X007...	15	21,60	36,00	250	2500	45	94,9																							
20A(C)16X007...	16	23,04	38,40	250	2500	45	96,5																							
20A(C)19X007...	19	27,36	45,60	200	2500	45	101,5																							
20A(C)22X007...	22	31,68	42,24	180	2000	52,5	106,5																							
20A(C)25X007...	25	36,00	48,00	160	2000	57,2	111,4																							
20A(C)14X007H...	14	20,16	47,04	250	3500	53,3	103,7													40	20	M6-6H	M20x1,5	G3/4	35	15	M6-6H	M16x1,5	G1/2	
20A(C)15X007H...	15	21,60	43,20	250	3000	54	105,2																							
20A(C)16X007H...	16	23,04	46,08	250	3000	54,9	106,8																							
20A(C)17,3X007H...	17,3	24,91	49,82	230	3000	56	108,9																							
20A(C)18,2X007H...	18,2	26,21	52,42	210	3000	56,8	110,5																							
20A(C)19X007H...	19	27,36	54,72	200	3000	57,4	111,8																							
20A(C)22X007H...	22	31,68	52,80	180	2500	59,9	116,8																							
20A(C)25X007H...	25	36,00	60,00	160	2500	62,3	121,7																							
20A(C)28X007H...	28	40,32	67,20	130	2500	64,8	126,5																							
20A(C)32X007H...	32	46,08	61,44	120	2000	68	132,8																							
20A(C)36X007H...	36	51,84	69,12	100	2000	71,2	139,4																							
								40	20	M6-6H	M20x1,5	G3/4	35	15	M6-6H	M20x1,5	G1/2													
								40	20	M6-6H	M27x2	G3/4	40	20	M6-6H	M20x1,5	G3/4													





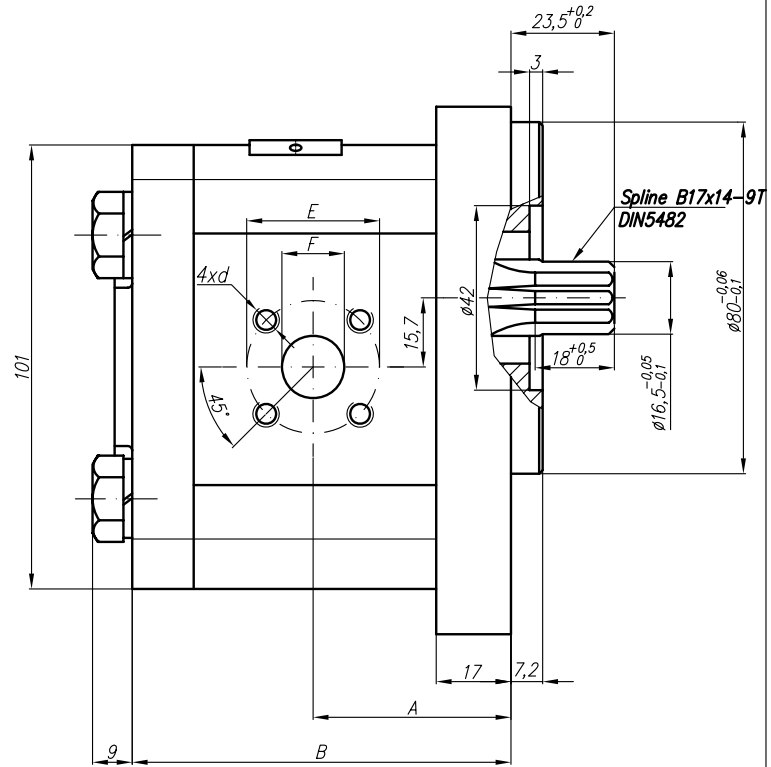
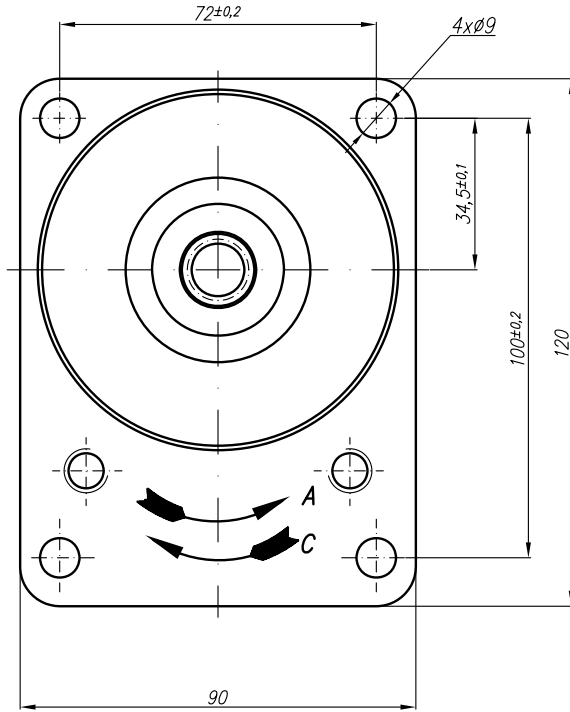
Variant key 4mm



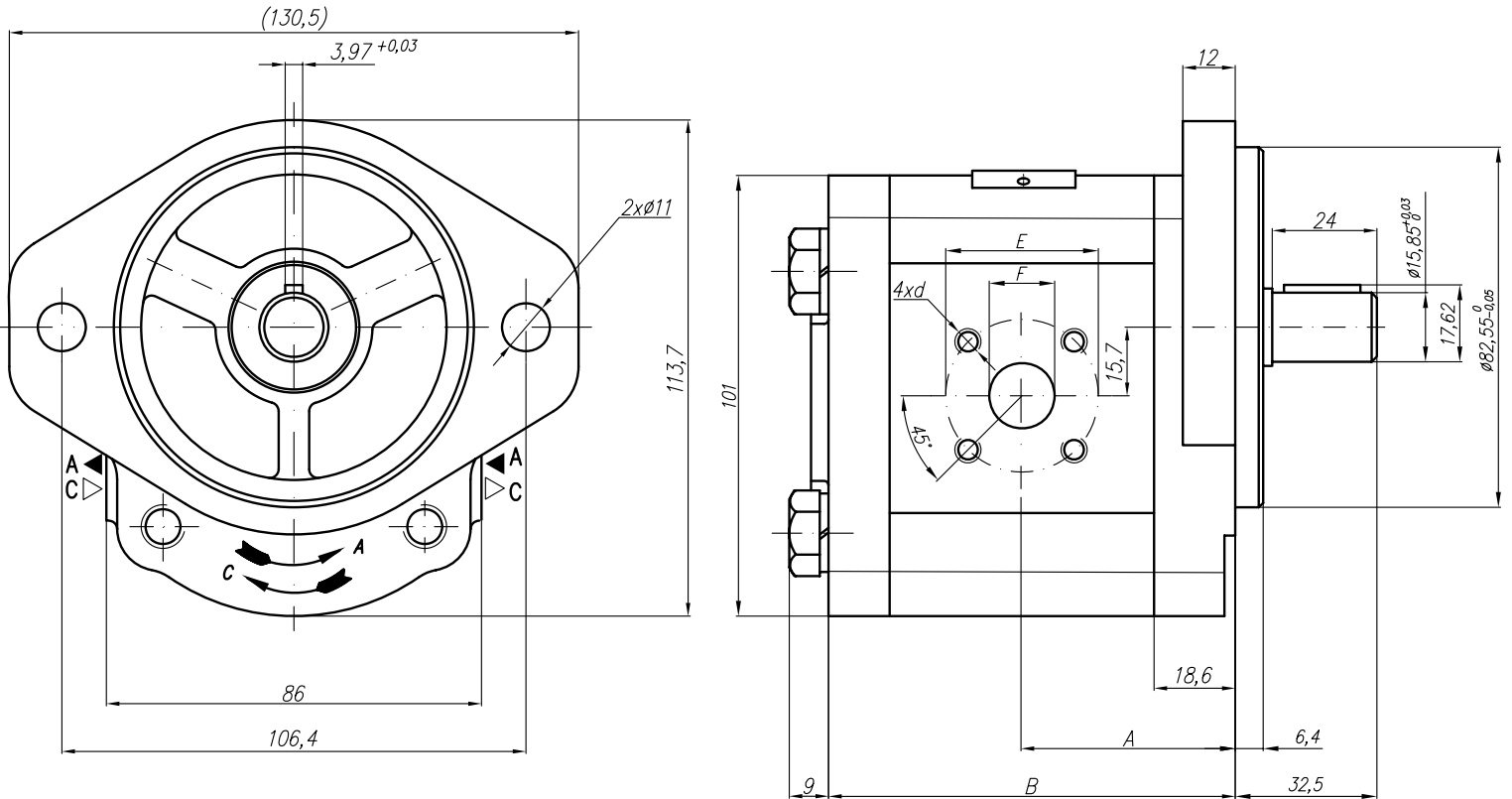
Type	Displacement cm <sup>3</sup> /rev	Flow		Pressure P <sub>nom</sub> bar	max Speed n rpm	Dimension							
		at 1500 rpm l/min	at max rpm l/min			Inlet		Outlet		A mm	B mm		
						M	G	G1	M	G	G1		
20A(C)4,5X016...	4,5	6,14	14,33	250	3500	42,5	80						
20A(C)6,3X016...	6,3	8,69	20,29	250	3500	42,5	80		G1/2				
20A(C)8,2X016...	8,2	11,32	26,40	250	3500	42,5	80						
20A(C)10X016...	10	13,95	32,55	250	3500	47	89						
20A(C)11X016...	11,3	15,76	36,78	250	3500	48	91,1						
20A(C)12X016...	12	16,92	39,48	250	3500	48,6	92,3						
20A(C)14X016...	14	19,95	46,55	250	3500	50	95,4						
20A(C)15X016...	15	21,60	36,00	250	2500	51	96,9						
20A(C)16X016...	16	23,04	38,40	250	2500	52	98,6						
20A(C)19X016...	19	27,36	45,60	200	2500	54	103,5						
20A(C)22X016...	22	31,68	42,24	180	2000	57	108,5						
20A(C)25X016...	25	36,00	48,00	160	2000	59,2	113,4			G1			G3/4
20A(C)14X016H	14	20,16	47,04	250	3500	55,3	105,7						
20A(C)15X016H...	15	21,60	43,20	250	3000	56	107,2						
20A(C)16X016H...	16	23,04	46,08	250	3000	56,9	108,8						
20A(C)17,3X016H...	17,3	24,91	49,82	230	3000	58	110,9						
20A(C)18,2X016H...	18,2	26,21	52,42	210	3000	58,8	112,5						
20A(C)19X016H...	19	27,36	54,72	200	3000	59,4	113,8						
20A(C)22X016H...	22	31,68	52,80	180	2500	61,9	118,8						
20A(C)25X016H...	25	36,00	60,00	160	2500	64,3	123,7						
20A(C)28X016H...	28	40,32	67,20	130	2500	66,8	128,5						
20A(C)32X016H...	32	46,08	61,44	120	2000	70	134,8						
20A(C)36X016H...	36	51,84	69,12	100	2000	73,2	141,4						



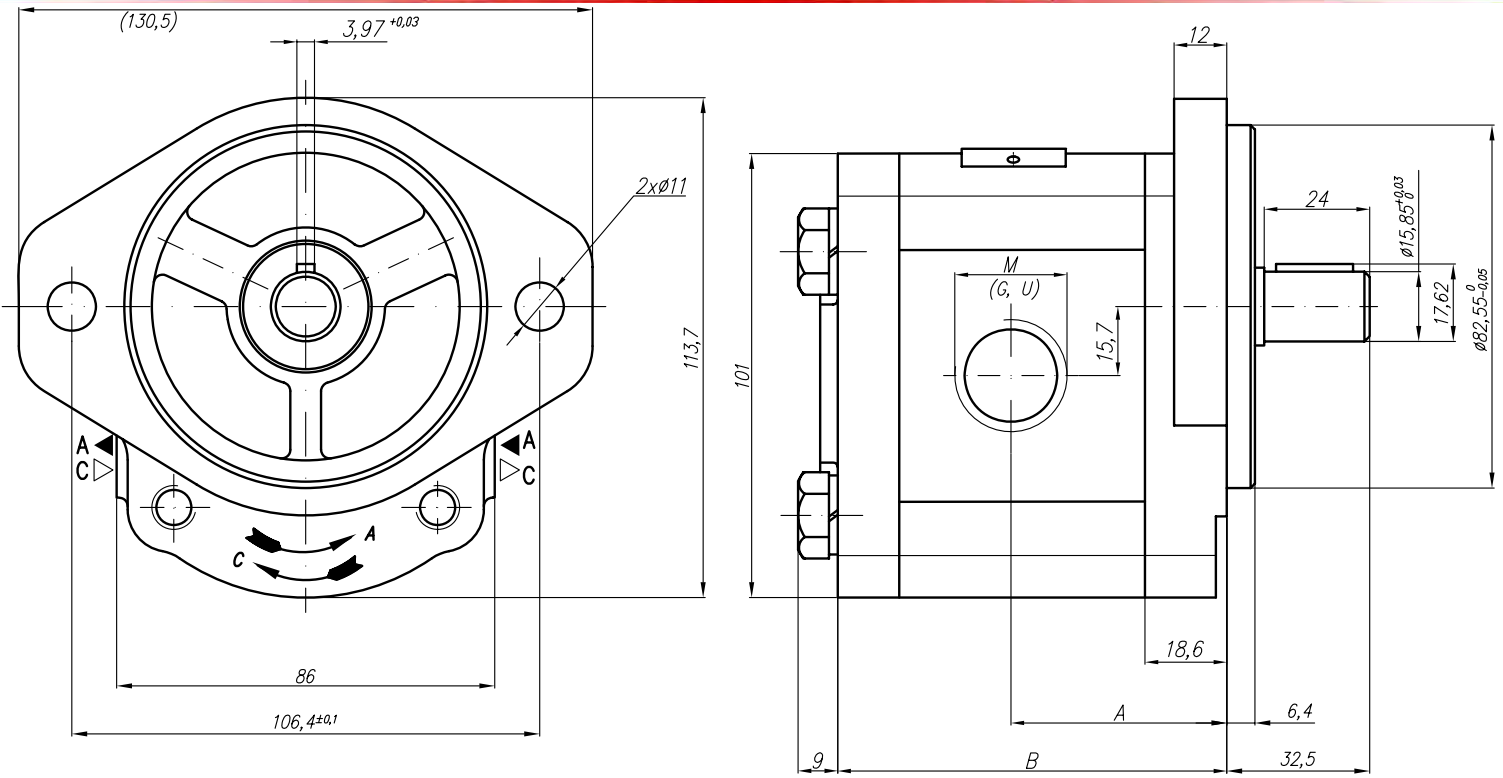




Type	Displacement cm <sup>3</sup> /rev	Flow		Pressure P <sub>nom</sub> bar	max Speed n rpm	Dimension								
		at 1500 rpm l/min	at max rpm l/min			Inlet			Outlet					
						A mm	B mm	E mm	F mm	d mm	E mm	F mm	d mm	
20A(C)4,5X021	4,5	6,14	14,33	250	3500	39,8	78	40	15	M6-6H	35	15	M6-6H	
20A(C)6,3X021	6,3	8,69	20,29	250	3500	41	81							
20A(C)8,2X021	8,2	11,32	26,40	250	3500	43,1	83,9							
20A(C)10X021	10	13,95	32,55	250	3500	47,5	87		20					
20A(C)11X021	11,3	15,76	36,78	250	3500	47,5	89,1							
20A(C)12X021	12	16,92	39,48	250	3500	47,5	90,3		M6-6H					
20A(C)14X021	14	19,95	46,55	250	3500	47,5	93,4							
20A(C)15X021	15	21,60	36,00	250	2500	47,5	94,9							
20A(C)16X021	16	23,04	38,40	250	2500	47,5	96,6							
20A(C)19X021	19	27,36	45,60	200	2500	47,5	101,5							
20A(C)22X021	22	31,68	42,24	180	2000	55	106,5							
20A(C)25X021	25	36,00	48,00	160	2000	57,2	111,4							40

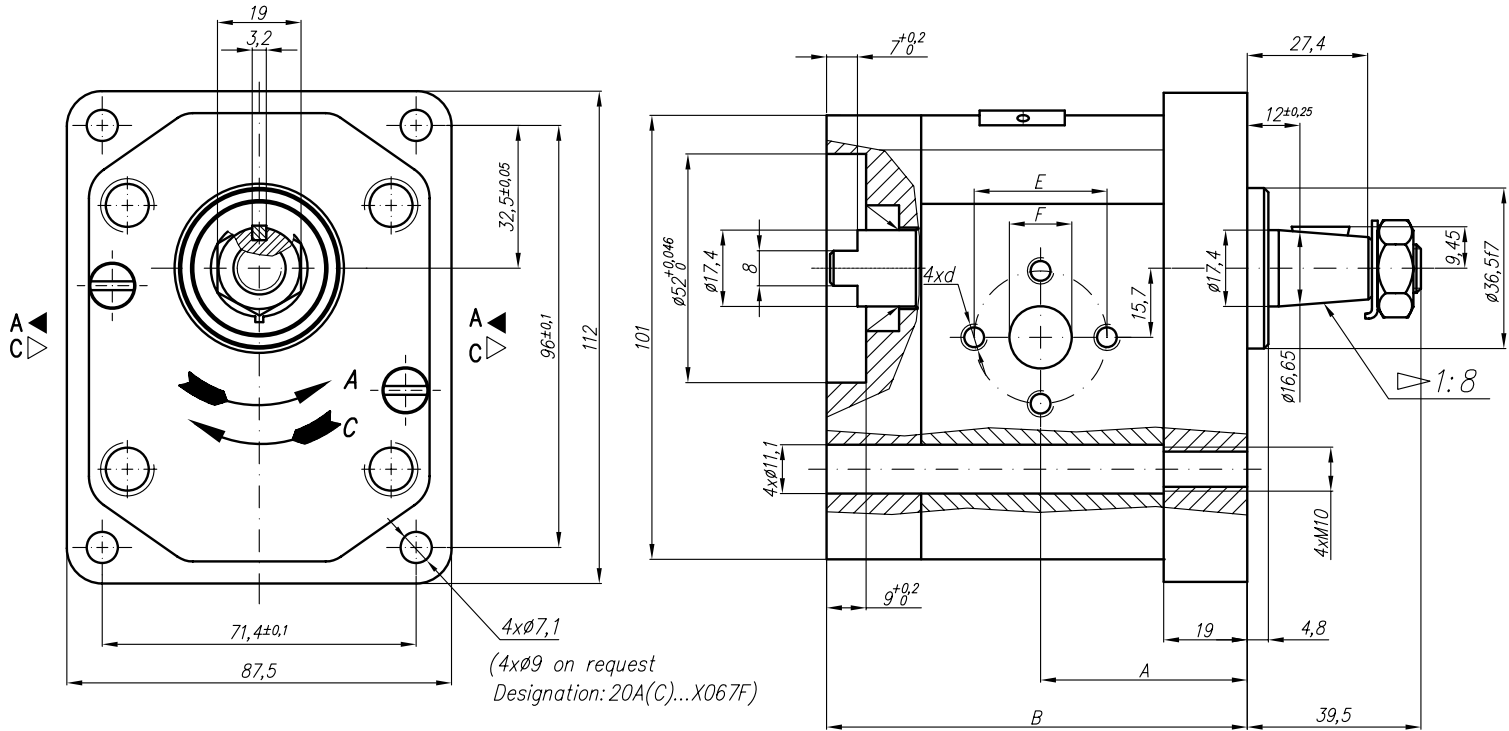


Type	Displacement cm <sup>3</sup> /rev	Flow		Pressure P <sub>nom</sub> bar	max Speed n rpm	Dimension							
		at 1500 rpm l/min	at max rpm l/min			A mm	B mm	Inlet			Outlet		
								E	F	d	E	F	d
20A(C)4,5X022	4,5	6,14	14,33	250	3500	41,4	79,6	40	15	M6-6H	35	15	M6-6H
20A(C)6,3X022	6,3	8,69	20,29	250	3500	42,6	82,6						
20A(C)8,2X022	8,2	11,32	26,40	250	3500	44,7	85,5						
20A(C)10X022	10	13,95	32,55	250	3500	49,1	88,6						
20A(C)11X022	11,3	15,76	36,78	250	3500	49,1	90,7						
20A(C)12X022	12	16,92	39,48	250	3500	49,1	91,9						
20A(C)14X022	14	19,95	46,55	250	3500	49,1	95						
20A(C)15X022	15	21,60	36,00	250	2500	49,1	96,5						
20A(C)16X022	16	23,04	38,40	250	2500	49,1	98,2						
20A(C)19X022	19	27,36	45,60	200	2500	49,1	103,1						
20A(C)22X022	22	31,68	42,24	180	2000	56,6	108,1						
20A(C)25X022	25	36,00	48,00	160	2000	58,8	113						



Type	Displacement cm <sup>3</sup> /rev	Flow		Pressure P <sub>nom</sub> bar	max Speed n rpm	Dimension								
		at 1500 rpm l/min	at max rpm l/min			A mm	B mm	Inlet			Outlet			
						M	G	U	M	G	U			
20A(C)4,5X030...	4,5	6,14	14,33	250	3500	41,4	79,6							
20A(C)6,3X030...	6,3	8,69	20,29	250	3500	42,6	82,6		G1/2					
20A(C)8,2X030...	8,2	11,32	26,40	250	3500	44,7	85,5							
20A(C)10X030...	10	13,95	32,55	250	3500	49,1	88,6							
20A(C)11X030...	11,3	15,76	36,78	250	3500	49,1	90,7							
20A(C)12X030...	12	16,92	39,48	250	3500	49,1	91,9							
20A(C)14X030...	14	19,95	46,55	250	3500	49,1	95							
20A(C)15X030...	15	21,60	36,00	250	2500	49,1	96,5							
20A(C)16X030...	16	23,04	38,40	250	2500	49,1	98,2							
20A(C)19X030...	19	27,36	45,60	200	2500	49,1	103,1							
20A(C)22X030...	22	31,68	42,24	180	2000	56,6	108,1							
20A(C)25X030...	25	36,00	48,00	160	2000	58,8	113							
20A(C)14X030H...	14	20,16	47,04	250	3500	55,3	105,7							
20A(C)15X030H...	15	21,60	43,20	250	3000	55,6	106,8							
20A(C)16X030H...	16	23,04	46,08	250	3000	56,5	108,4							
20A(C)17,3X030H...	17,3	24,91	49,82	230	3000	57,6	110,5							
20A(C)18,2X030H...	18,2	26,21	52,42	210	3000	58,4	112,1							
20A(C)19X030H...	19	27,36	54,72	200	3000	59	113,4							
20A(C)22X030H...	22	31,68	52,80	180	2500	61,5	118,4							
20A(C)25X030H...	25	36,00	60,00	160	2500	63,9	123,3							
20A(C)28X030H...	28	40,32	67,20	130	2500	66,4	128,1							
20A(C)32X030H...	32	46,08	61,44	120	2000	69,6	134,4							
20A(C)36X030H...	36	51,84	69,12	100	2000	72,8	141							

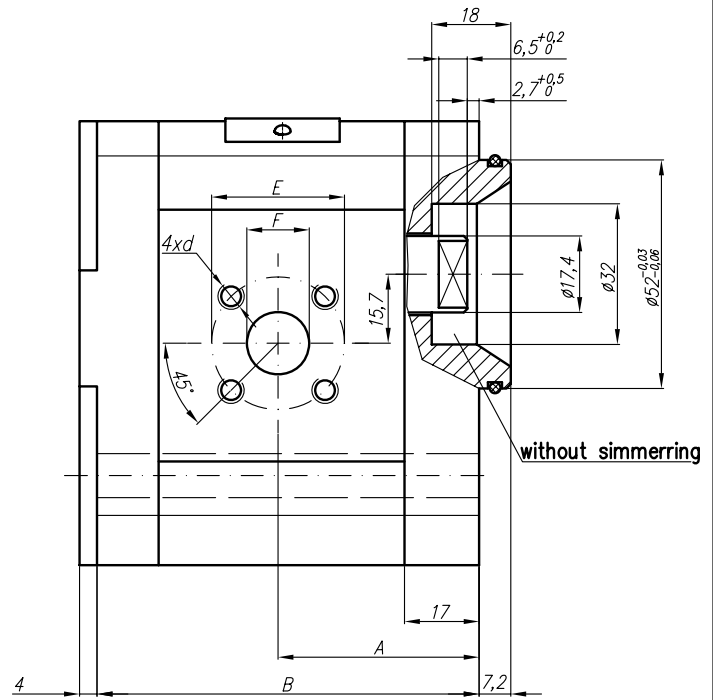
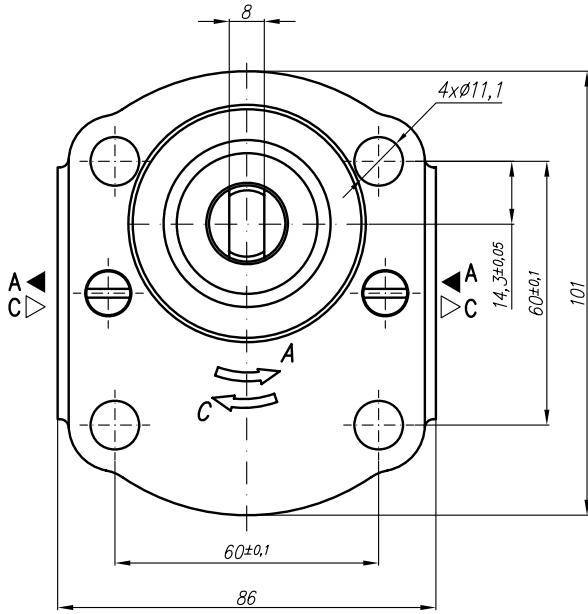




Type	Displacement cm <sup>3</sup> /rev	Flow		Pressure P <sub>nom</sub> bar	max Speed n rpm	Dimension						
		at 1500 rpm l/min	at max rpm l/min			A mm	B mm	Inlet			Outlet	
						E	F	d	E	F	d	
20A(C)4,5X067	4,5	6,14	14,33	250	3500	42,5	87,2					
20A(C)6,3X067	6,3	8,69	20,29	250	3500	44	90,2	30,2	13,1	M6-6H	13,1	
20A(C)8,2X067	8,2	11,32	26,40	250	3500	45,5	93,1					
20A(C)10X067	10	13,95	32,55	250	3500	47	96,2					
20A(C)11X067	11,3	15,76	36,78	250	3500	48	98,2					
20A(C)12X067	12	16,92	39,48	250	3500	48,6	99,5					
20A(C)14X067	14	19,95	46,55	250	3500	50	102,6					
20A(C)15X067	15	21,60	36,00	250	2500	51	104,1	39,7	19	M8-6H	14,2	
20A(C)16X067	16	23,04	38,40	250	2500	52	105,8					
20A(C)19X067	19	27,36	45,60	200	2500	54	110,7					
20A(C)22X067	22	31,68	42,24	180	2000	57	115,7					
20A(C)25X067	25	36,00	48,00	160	2000	59,2	120,6					

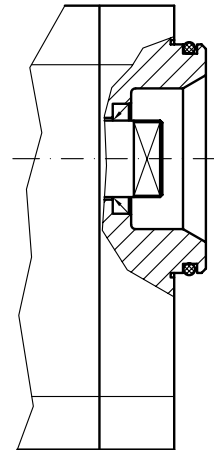
20A(C)14X067H	14	20,16	47,04	250	3500	55,3	112,9				
20A(C)15X067H	15	21,60	43,20	250	3000	56	114,4				
20A(C)16X067H	16	23,04	46,08	250	3000	56,9	116				
20A(C)17,3X067H	17,3	24,91	49,82	230	3000	58	118,1				
20A(C)18,2X067H	18,2	26,21	52,42	210	3000	58,8	119,7				
20A(C)19X067H	19	27,36	54,72	200	3000	59,4	121	39,7	19	M8-6H	14,2
20A(C)22X067H	22	31,68	52,80	180	2500	61,9	126				
20A(C)25X067H	25	36,00	60,00	160	2500	64,3	130,9				
20A(C)28X067H	28	40,32	67,20	130	2500	66,8	135,7				
20A(C)32X067H	32	46,08	61,44	120	2000	70	142	39,7	19	M8-6H	
20A(C)36X067H	36	51,84	69,12	100	2000	73,2	148,6				





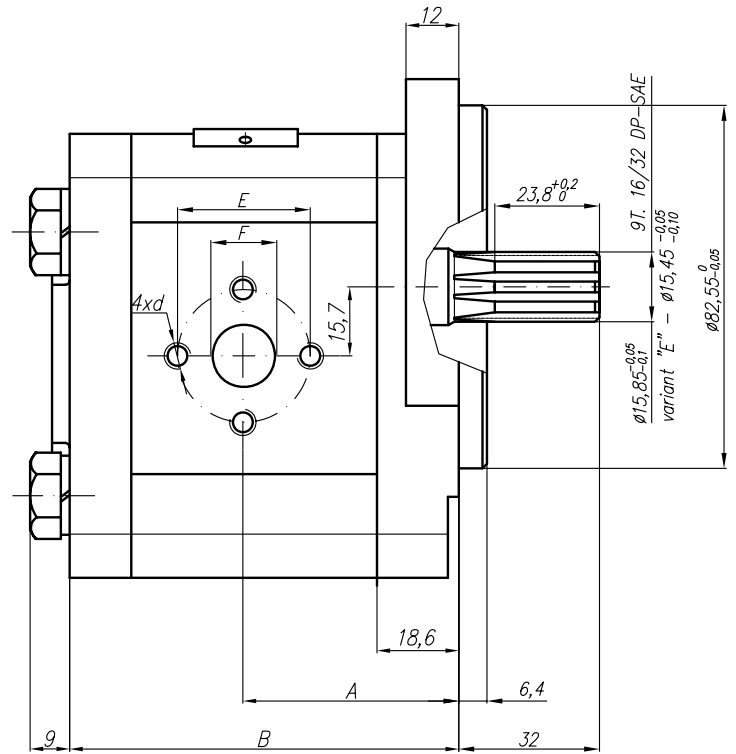
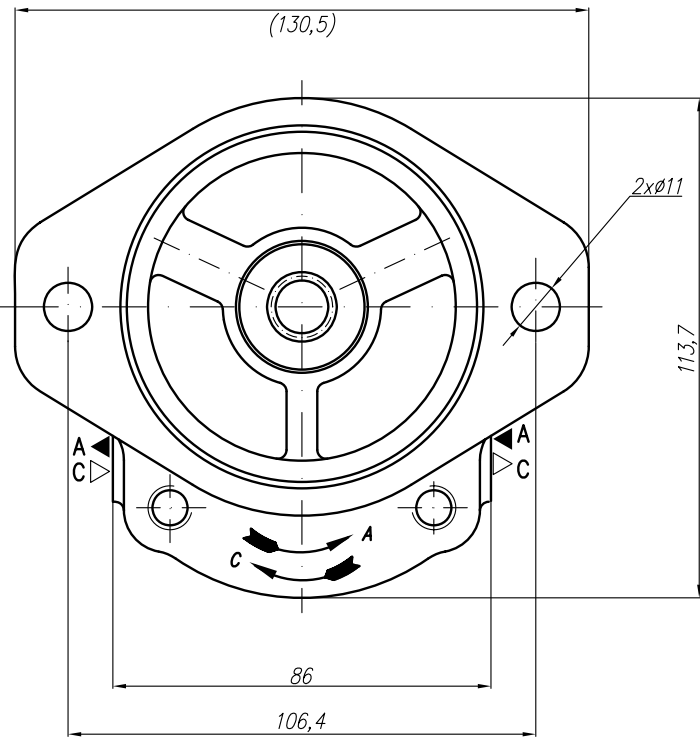
Variant with simmerring in front cover

Designation: 20A(C)...X188AS

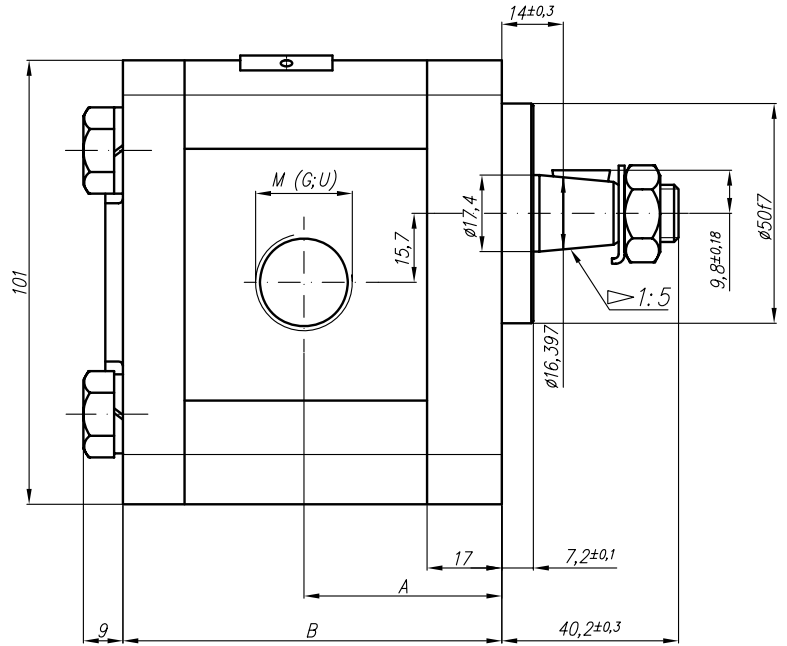
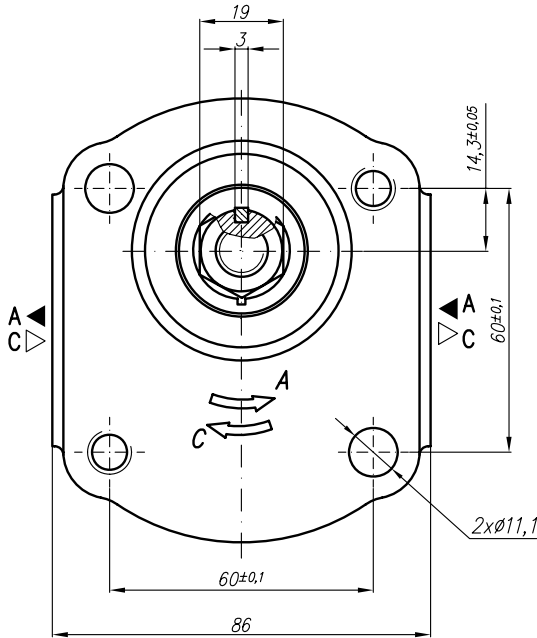


Type	Displacement cm <sup>3</sup> /rev	Flow		Pressure P <sub>nom</sub> bar	max Speed n rpm	Dimension								
		at 1500 rpm l/min	at max rpm l/min			A mm	B mm	Inlet			Outlet			
						E	F	d	E	F	d			
20A(C)4,5X072	4,5	6,14	14,33	250	3500	37,3	75,1	40	20	M6-6H	35	15	M6-6H	
20A(C)6,3X072	6,3	8,69	20,29	250	3500	38,6	78							
20A(C)8,2X072	8,2	11,32	26,40	250	3500	40,6	78							
20A(C)10X072	10	13,95	32,55	250	3500	45	87							
20A(C)11X072	11,3	15,76	36,78	250	3500	45	89,1							
20A(C)12X072	12	16,92	39,48	250	3500	45	90,3							
20A(C)14X072	14	19,95	46,55	250	3500	45	93,4							
20A(C)15X072	15	21,60	36,00	250	2500	45	94,9							
20A(C)16X072	16	23,04	38,40	250	2500	45	96,5							
20A(C)19X072	19	27,36	45,60	200	2500	45	101,5							
20A(C)22X072	22	31,68	42,24	180	2000	52,5	106,5							
20A(C)25X072	25	36,00	48,00	160	2000	57,2	111,4							

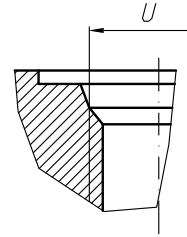
20A(C)...X073(H)



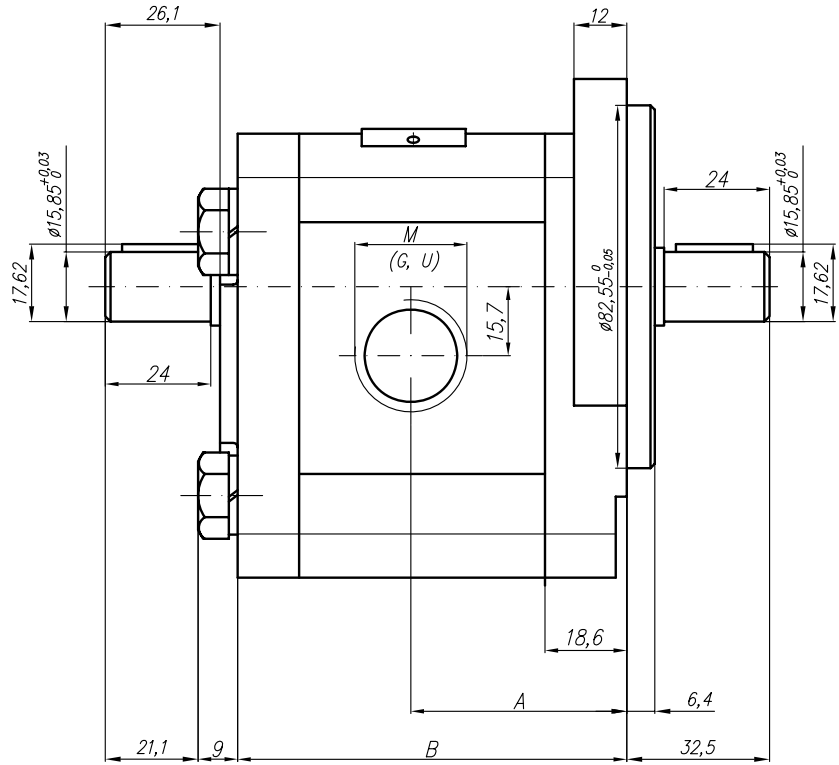
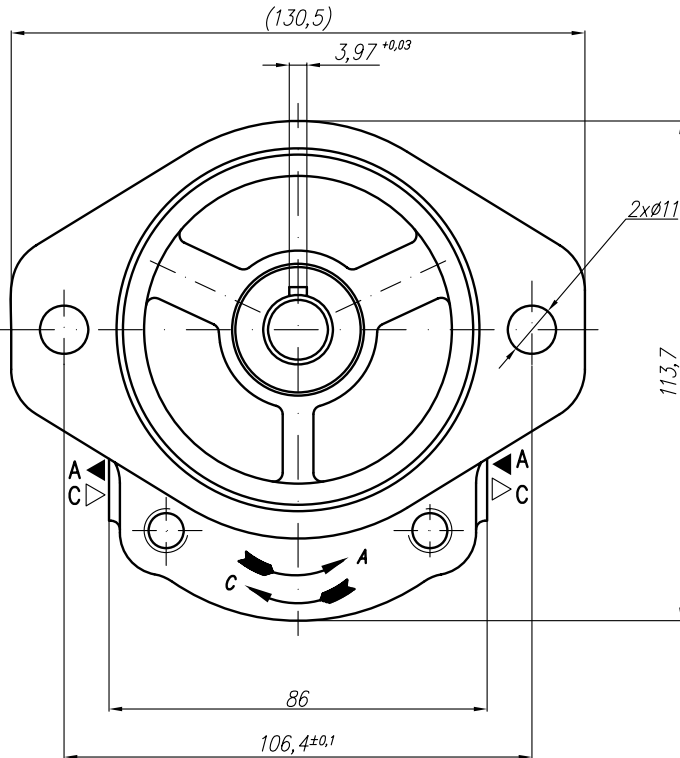
Type	Displacement cm <sup>3</sup> /rev	Flow		Pressure P <sub>nom</sub> bar	max Speed n rpm	Dimension								
		at 1500 rpm l/min	at max rpm l/min			A mm	B mm	Inlet			Outlet			
						E	F	d	E	F	d			
20A(C)4,5X073	4,5	6,14	14,33	250	3500	42,1	79,6							
20A(C)6,3X073	6,3	8,69	20,29	250	3500	42,1	79,6	30,2	13,1	M6-6H		13,1		
20A(C)8,2X073	8,2	11,32	26,40	250	3500	42,1	79,6							
20A(C)10X073	10	13,95	32,55	250	3500	46,6	88,7							
20A(C)11X073	11,3	15,76	36,78	250	3500	47,6	90,7							
20A(C)12X073	12	16,92	39,48	250	3500	48,2	91,9							
20A(C)14X073	14	19,95	46,55	250	3500	49,6	95							
20A(C)15X073	15	21,60	36,00	250	2500	50,6	96,5	39,7	19	M8-6H	30,2	14,2	M6-6H	
20A(C)16X073	16	23,04	38,40	250	2500	51,6	98,2							
20A(C)19X073	19	27,36	45,60	200	2500	53,6	103,1							
20A(C)22X073	22	31,68	42,24	180	2000	56,6	108,1							
20A(C)25X073	25	36,00	48,00	160	2000	58,8	113				39,7	19	M8	
20A(C)14X073H	14	20,16	47,04	250	3500	54,9	105,3	39,7	19	M8-6H	30,2	14,2	M6-6H	
20A(C)15X073H	15	21,60	43,20	250	3000	55,6	106,8							
20A(C)16X073H	16	23,04	46,08	250	3000	56,5	108,4							
20A(C)17,3X073H	17,3	24,91	49,82	230	3000	57,6	110,5							
20A(C)18,2X073H	18,2	26,21	52,42	210	3000	58,4	112,1							
20A(C)19X073H	19	27,36	54,72	200	3000	59	113,4							
20A(C)22X073H	22	31,68	52,80	180	2500	61,5	118,4							
20A(C)25X073H	25	36,00	60,00	160	2500	63,9	123,3							
20A(C)28X073H	28	40,32	67,20	130	2500	66,4	128,1							
20A(C)32X073H	32	46,08	61,44	120	2000	69,6	134,4				39,7	19	M8-6H	
20A(C)36X073H	36	51,84	69,12	100	2000	72,8	141							



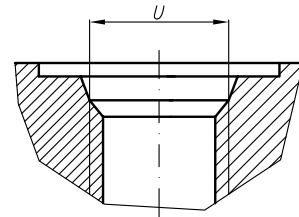
SAE J475 (ISO R725)



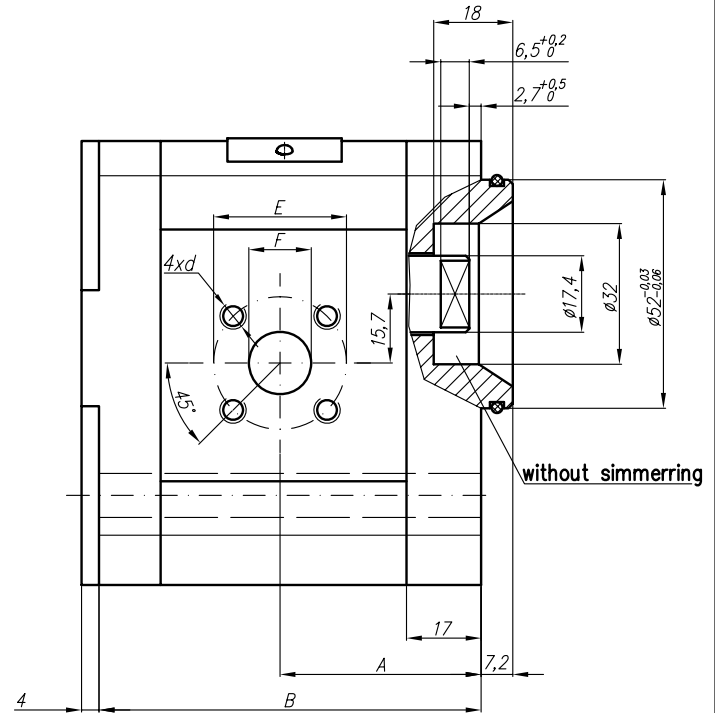
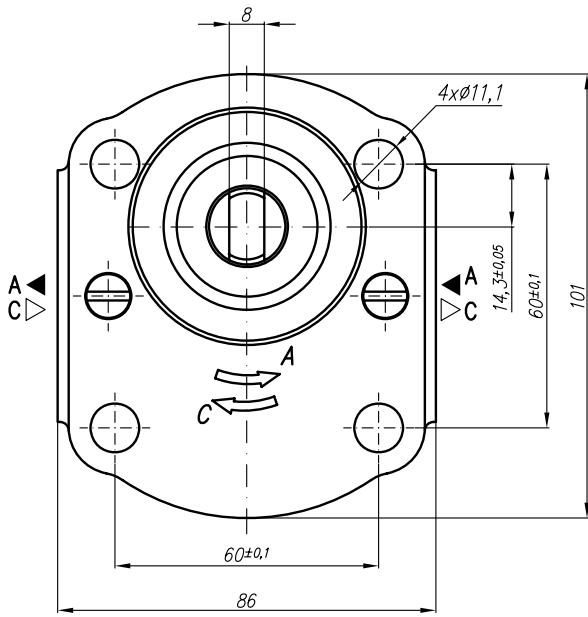
Type	Displacement cm <sup>3</sup> /rev	Flow		Pressure P <sub>nom</sub> bar	max Speed n rpm	Dimension							
		at 1500 rpm l/min	at max rpm l/min			A mm	B mm	Inlet			Outlet		
								M	G	U	M	G	U
20A(C)4,5X074...	4,5	6,14	14,33	250	3500	37,3	75,1	M20x1,5	G1/2	1 1/16"-12UNF	M16x1,5	G1/2	7/8"-14UNF
20A(C)6,3X074...	6,3	8,69	20,29	250	3500	38,6	78						
20A(C)8,2X074...	8,2	11,32	26,40	250	3500	40,6	78						
20A(C)10X074...	10	13,95	32,55	250	3500	45	87						
20A(C)11X074...	11,3	15,76	36,78	250	3500	45	89,1						
20A(C)12X074...	12	16,92	39,48	250	3500	45	90,3						
20A(C)14X074...	14	19,95	46,55	250	3500	45	93,4						
20A(C)15X074...	15	21,60	36,00	250	2500	45	94,9						
20A(C)16X074...	16	23,04	38,40	250	2500	45	96,5						
20A(C)19X074...	19	27,36	45,60	200	2500	45	101,5						
20A(C)22X074...	22	31,68	42,24	180	2000	52,5	106,5						
20A(C)25X074...	25	36,00	48,00	160	2000	57,2	111,4						



SAE J475 (ISO R725)

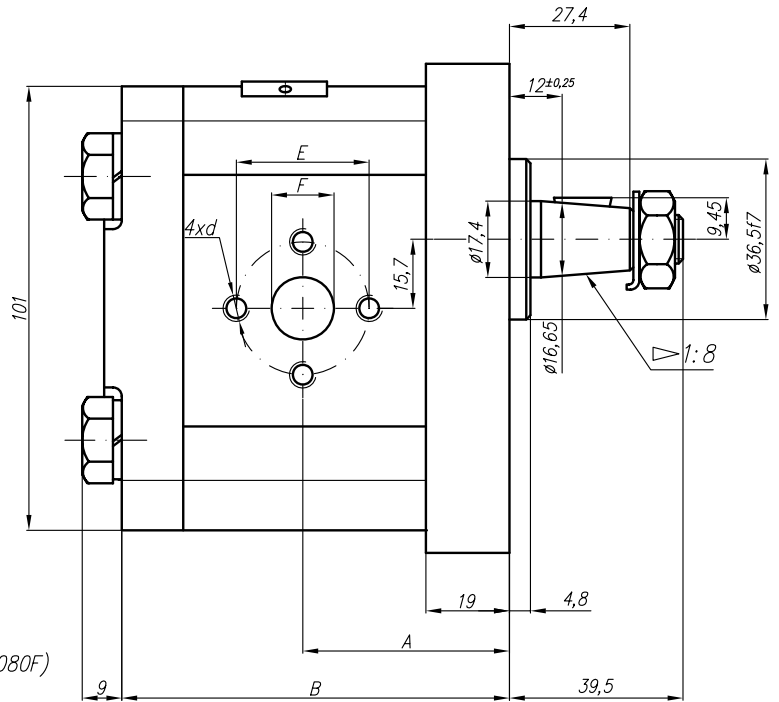
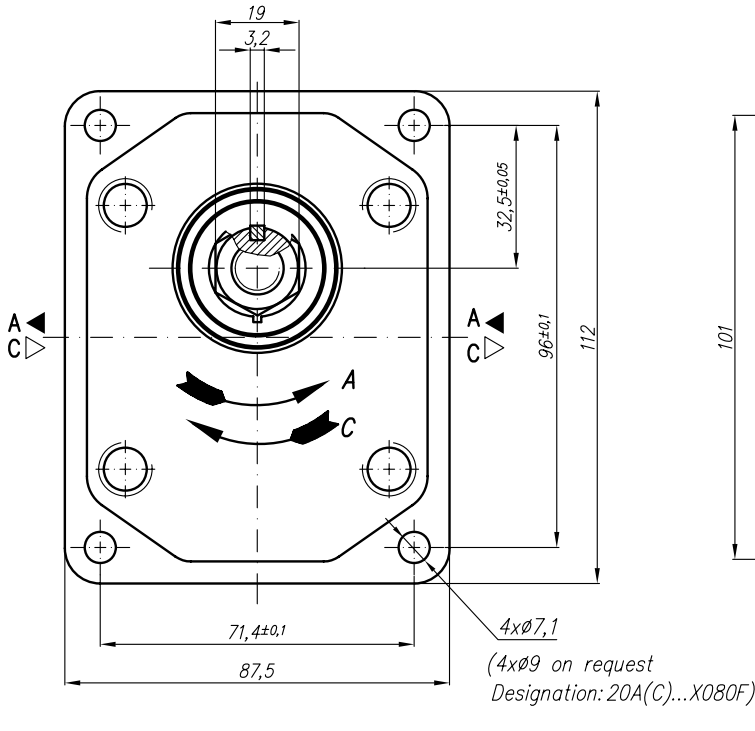


Type	Displacement cm <sup>3</sup> /rev	Flow		Pressure P <sub>nom</sub> bar	max Speed n rpm	Dimension							
		at 1500 rpm l/min	at max rpm l/min			A mm	B mm	Inlet			Outlet		
								M	G	U	M	G	U
20A(C)4,5Y075...	4,5	6,14	14,33	250	3500	42	79,6	M20x1,5	G1/2	1 1/16"-12UNF	M16x1,5	G1/2	7/8"-14UNF
20A(C)6,3Y075...	6,3	8,69	20,29	250	3500	43,6	82,6						
20A(C)8,2Y075...	8,2	11,32	26,40	250	3500	45	85,6						
20A(C)10Y075...	10	13,95	32,55	250	3500	46,6	88,7						
20A(C)11Y075...	11,3	15,76	36,78	250	3500	47,6	90,7						
20A(C)12Y075...	12	16,92	39,48	250	3500	48,2	91,9						
20A(C)14Y075...	14	19,95	46,55	250	3500	49,6	95						
20A(C)15Y075...	15	21,60	36,00	250	2500	50,6	96,5						
20A(C)16Y075...	16	23,04	38,40	250	2500	51,6	98,2						
20A(C)19Y075...	19	27,36	45,60	200	2500	53,6	103,1						
20A(C)22Y075...	22	31,68	42,24	180	2000	56,6	108,1						
20A(C)25Y075...	25	36,00	48,00	160	2000	58,8	113						

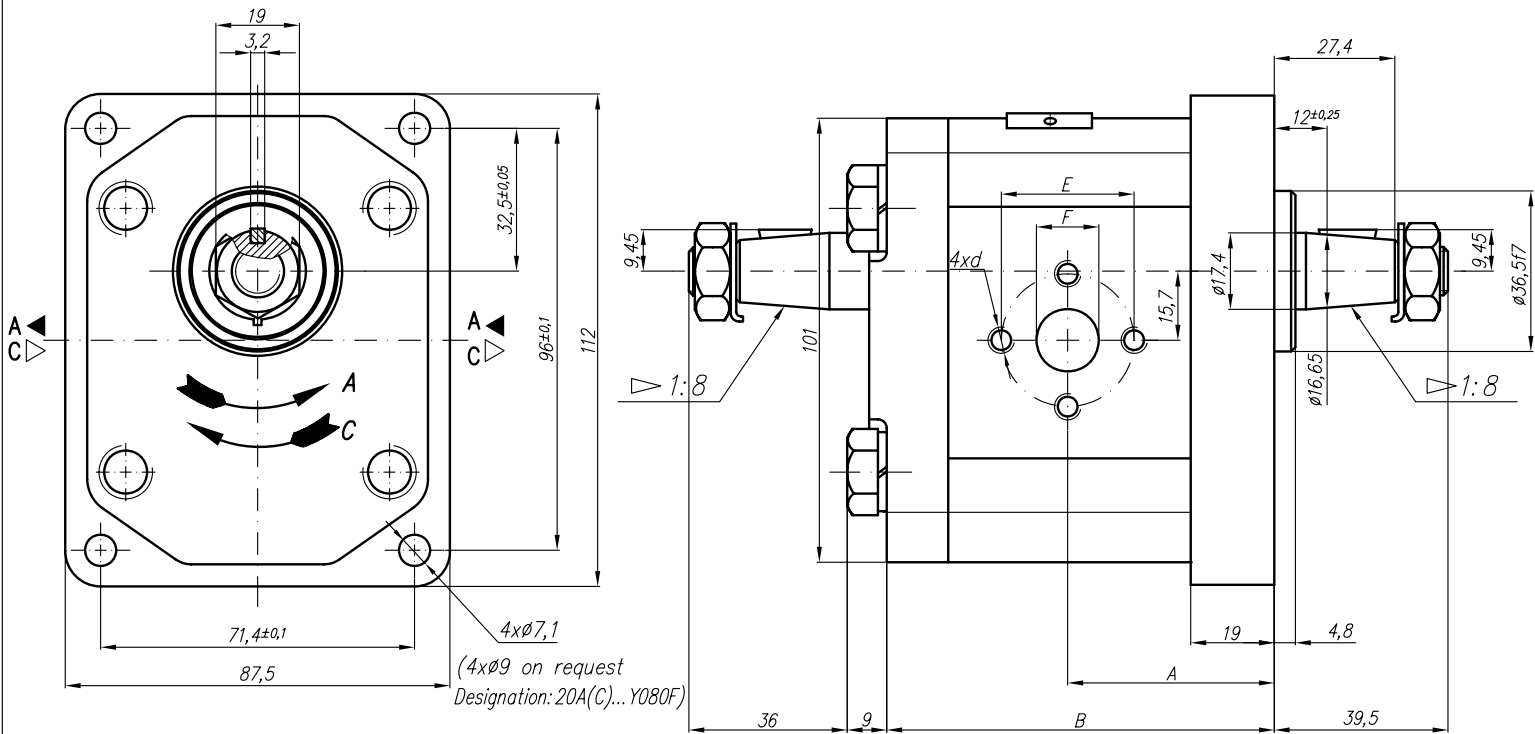


Type	Displacement cm <sup>3</sup> /rev	Flow		Pressure P <sub>nom</sub> bar	max Speed n rpm	Dimension												
		at 1500 rpm l/min	at max rpm l/min			A mm	B mm	Inlet			Outlet							
								E	F	d	E	F	d					
20A(C)4,5X077	4,5	6,14	14,33	250	3500	37,3	78	40	15	M6-6H	35	15	M6-6H					
20A(C)6,3X077	6,3	8,69	20,29	250	3500	38,6	81											
20A(C)8,2X077	8,2	11,32	26,40	250	3500	40,6	83,9											
20A(C)10X077	10	13,95	32,55	250	3500	45	87											
20A(C)11X077	11,3	15,76	36,78	250	3500	45	89											
20A(C)12X077	12	16,92	39,48	250	3500	45	90,3											
20A(C)14X077	14	19,95	46,55	250	3500	45	93,4											
20A(C)15X077	15	21,60	36,00	250	2500	45	95											
20A(C)16X077	16	23,04	38,40	250	2500	45	96,5											
20A(C)19X077	19	27,36	45,60	200	2500	45	101,5											
20A(C)22X077	22	31,68	42,24	180	2000	52,5	106,5											
20A(C)25X077	25	36,00	48,00	160	2000	57,2	111,4											
20A(C)14X077H	14	20,16	47,04	250	3500	50	103,7		40					20	M6-6H	35	15	M6-6H
20A(C)4,5X077H	15	21,60	43,20	250	3000	54	105,2											
20A(C)6,3X077H	16	23,04	46,08	250	3000	54,9	106,8											
20A(C)8,2X077H	17,3	24,91	49,82	230	3000	56	108,9											
20A(C)10X077H	18,2	26,21	52,42	210	3000	56,8	110,5											
20A(C)11X077H	19	27,36	54,72	200	3000	57,4	111,8											
20A(C)12X077H	22	31,68	52,80	180	2500	59,9	116,8											
20A(C)14X077H	25	36,00	60,00	160	2500	62,3	121,7											
20A(C)15X077H	28	40,32	67,20	130	2500	64,8	126,5											
20A(C)16X077H	32	46,08	61,44	120	2000	68	132,8											
20A(C)19X077H	36	51,84	69,12	100	2000	71,2	139,4											

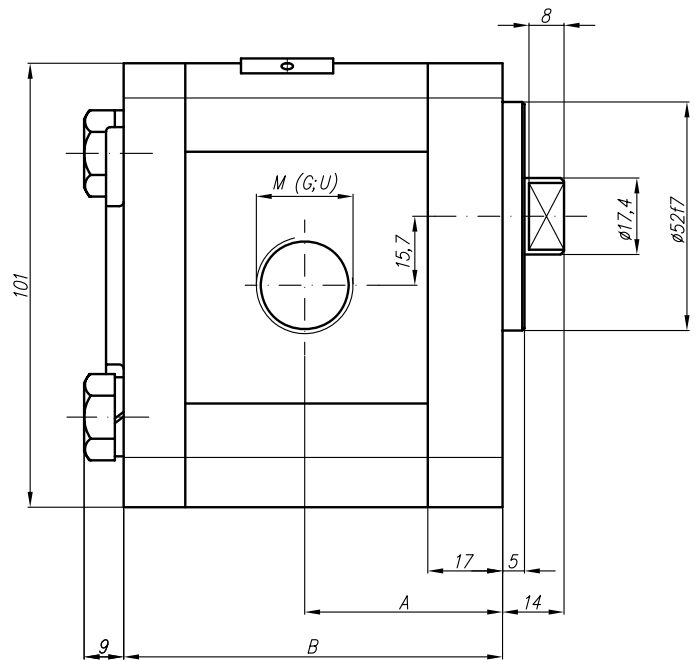
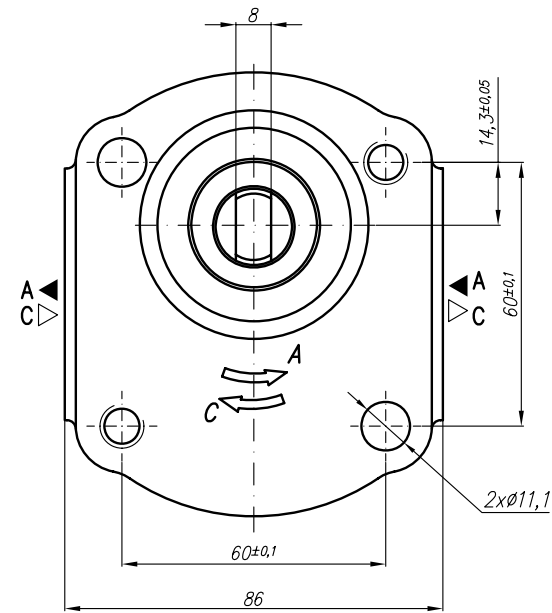




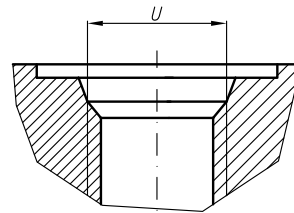
Type	Displacement cm <sup>3</sup> /rev	Flow		Pressure P <sub>nom</sub> bar	max Speed n rpm	Dimension							
		at 1500 rpm l/min	at max rpm l/min			A mm	B mm	Inlet			Outlet		
								E	F	d	E	F	d
20A(C)4,5X080	4,5	6,14	14,33	250	3500	42,5	80	30,2	13,1	1/4-20UNC	30,2	13,1	1/4"-20UNC
20A(C)6,3X080	6,3	8,69	20,29	250	3500	42,5	80						
20A(C)8,2X080	8,2	11,32	26,40	250	3500	42,5	80						
20A(C)10X080	10	13,95	32,55	250	3500	47	89	39,7	19	5/16"-18UNC	30,2	14,2	1/4"-20UNC
20A(C)11X080	11,3	15,76	36,78	250	3500	48	91,1						
20A(C)12X080	12	16,92	39,48	250	3500	48,6	92,3						
20A(C)14X080	14	19,95	46,55	250	3500	50	95,4	39,7	19	5/16"-18UNC	30,2	14,2	1/4"-20UNC
20A(C)15X080	15	21,60	36,00	250	2500	51	96,9						
20A(C)16X080	16	23,04	38,40	250	2500	52	98,6						
20A(C)19X080	19	27,36	45,60	200	2500	54	103,5	39,7	19	5/16"-18UNC	30,2	19	5/16"
20A(C)22X080	22	31,68	42,24	180	2000	57	108,5						
20A(C)25X080	25	36,00	48,00	160	2000	59,2	113,4						
20A(C)14X080H	14	20,16	47,04	250	3500	55,3	105,7	39,7	19	5/16"-18UNC	30,2	14,2	1/4"-20UNC
20A(C)15X080H	15	21,60	43,20	250	3000	56	107,2						
20A(C)16X080H	16	23,04	46,08	250	3000	56,9	108,8						
20A(C)17,3X080H	17,3	24,91	49,82	230	3000	58	110,9						
20A(C)18,2X080H	18,2	26,21	52,42	210	3000	58,8	112,5						
20A(C)19X080H	19	27,36	54,72	200	3000	59,4	113,8						
20A(C)22X080H	22	31,68	52,80	180	2500	61,9	118,8						
20A(C)25X080H	25	36,00	60,00	160	2500	64,3	123,7						
20A(C)28X080H	28	40,32	67,20	130	2500	66,8	128,5						
20A(C)32X080H	32	46,08	61,44	120	2000	70	134,8						
20A(C)36X080H	36	51,84	69,12	100	2000	73,2	141,4	39,7	19	5/16"-18UNC	39,7	19	5/16"-18UNC



Type	Displacement cm <sup>3</sup> /rev	Flow		Pressure P <sub>nom</sub> bar	max Speed n rpm	Dimension							
		at 1500 rpm l/min	at max rpm l/min			A mm	B mm	Inlet			Outlet		
								E	F	d	E	F	d
20A(C)4,5Y080	4,5	6,14	14,33	250	3500	42,5	80	30,2	13,1	1/4-20UNC	30,2	13,1	1/4"-20UNC
20A(C)6,3Y080	6,3	8,69	20,29	250	3500	42,5	80						
20A(C)8,2Y080	8,2	11,32	26,40	250	3500	42,5	80						
20A(C)10Y080	10	13,95	32,55	250	3500	47	89	39,7	19	5/16"-18UNC	30,2	14,2	1/4"-20UNC
20A(C)11Y080	11,3	15,76	36,78	250	3500	48	91,1						
20A(C)12Y080	12	16,92	39,48	250	3500	48,6	92,3						
20A(C)14Y080	14	19,95	46,55	250	3500	50	95,4						
20A(C)15Y080	15	21,60	36,00	250	2500	51	96,9						
20A(C)16Y080	16	23,04	38,40	250	2500	52	98,6						
20A(C)19Y080	19	27,36	45,60	200	2500	54	103,5	39,7	19	5/16"-18UNC	39,7	19	5/16"
20A(C)22Y080	22	31,68	42,24	180	2000	57	108,5						
20A(C)25Y080	25	36,00	48,00	160	2000	59,2	113,4						



SAE J475 (ISO R725)

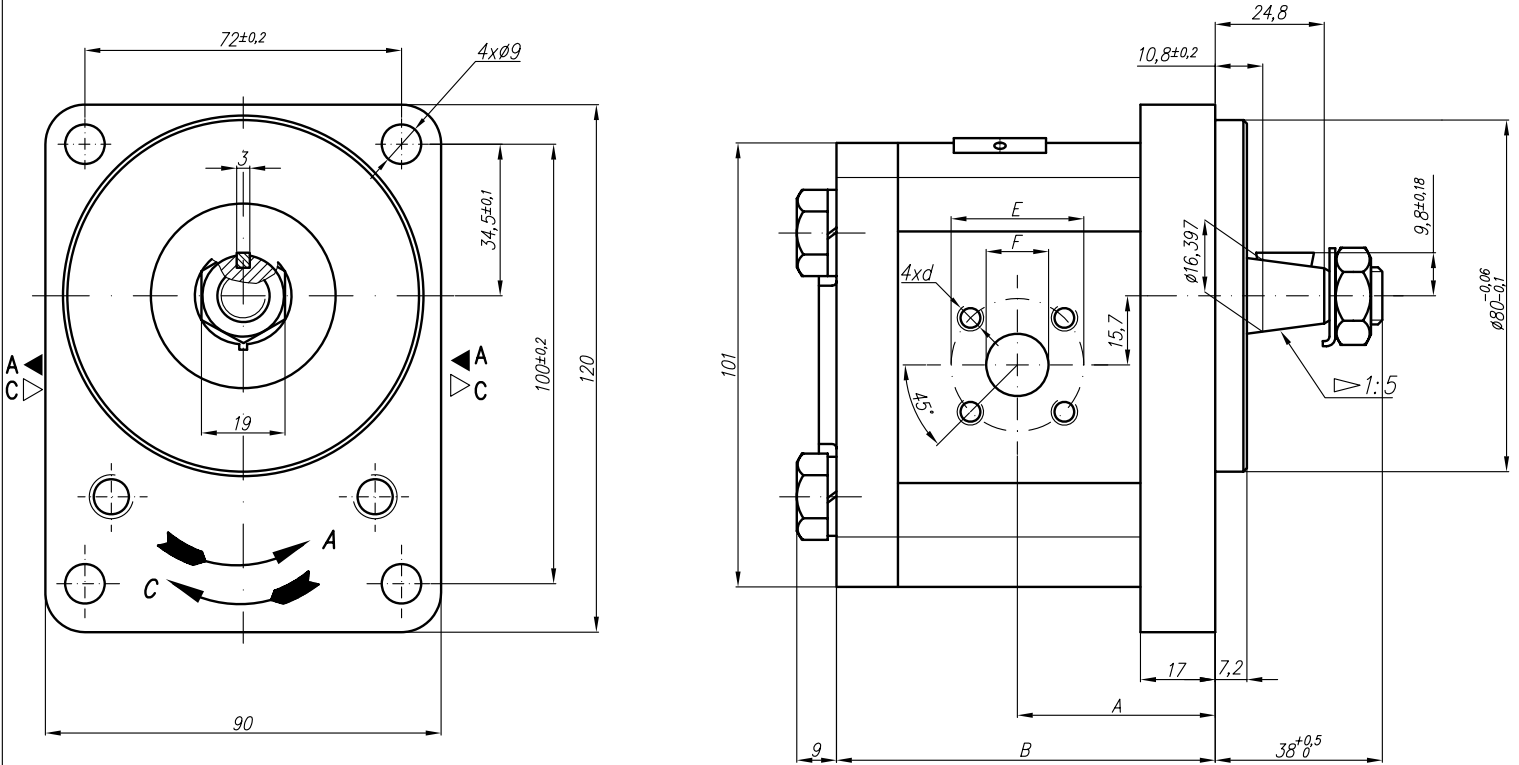


Type	Displacement cm <sup>3</sup> /rev	Flow		Pressure P <sub>nom</sub> bar	max Speed n rpm	Dimension							
		at 1500 rpm l/min	at max rpm l/min			Inlet			Outlet				
						A mm	B mm	M	G	U	M	G	U
20A(C)4,5X083...	4,5	6,14	14,33	250	3500	37,3	75,1	M20x1,5	G1/2	1 1/16"-12UNF	M16x1,5	G1/2	7/8"-14UNF
20A(C)6,3X083...	6,3	8,69	20,29	250	3500	38,6	78						
20A(C)8,2X083...	8,2	11,32	26,40	250	3500	40,6	78						
20A(C)10X083...	10	13,95	32,55	250	3500	45	87						
20A(C)11X083...	11,3	15,76	36,78	250	3500	45	89,1						
20A(C)12X083...	12	16,92	39,48	250	3500	45	90,3						
20A(C)14X083...	14	19,95	46,55	250	3500	45	93,4						
20A(C)15X083...	15	21,60	36,00	250	2500	45	94,9						
20A(C)16X083...	16	23,04	38,40	250	2500	45	96,5						
20A(C)19X083...	19	27,36	45,60	200	2500	45	101,5						
20A(C)22X083...	22	31,68	42,24	180	2000	52,5	106,5						
20A(C)25X083...	25	36,00	48,00	160	2000	57,2	111,4						

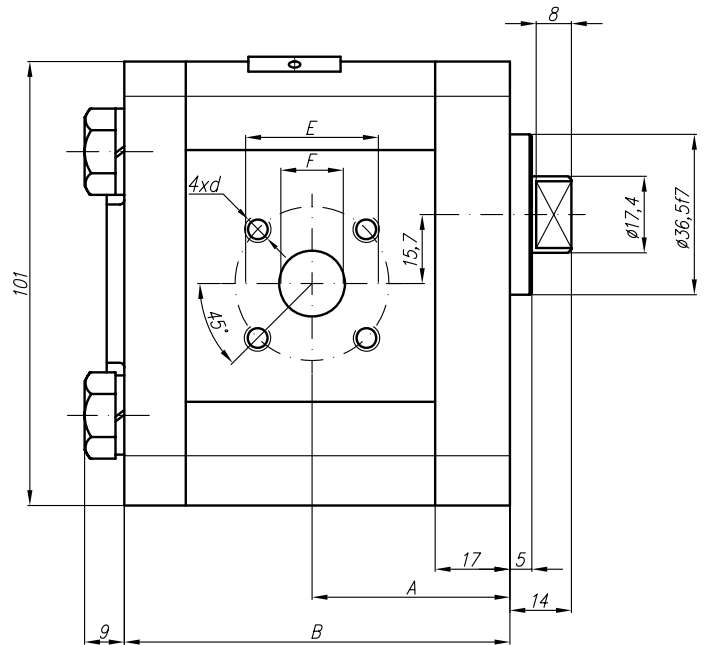
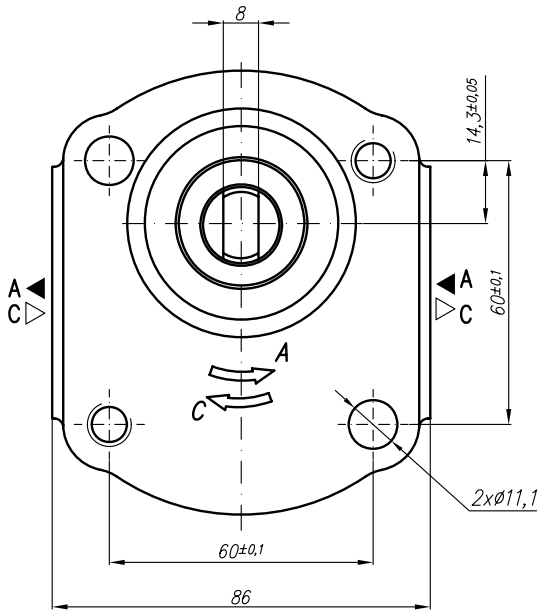






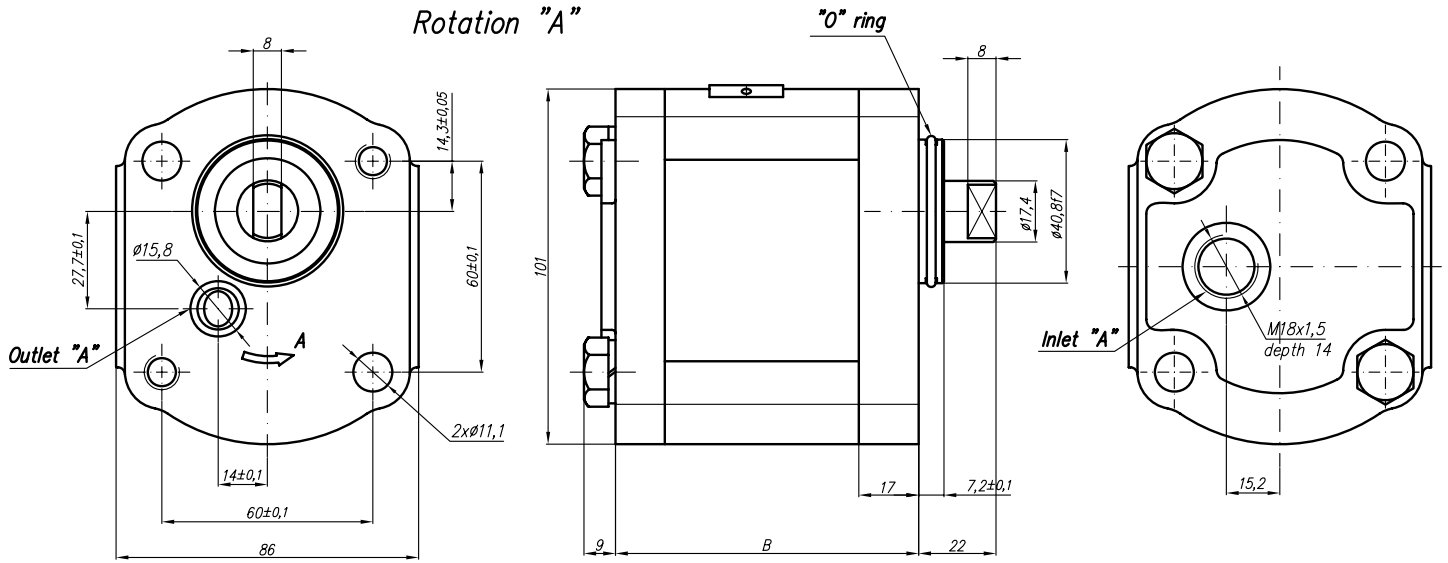


Type	Displacement cm <sup>3</sup> /rev	Flow		Pressure P <sub>nom</sub> bar	max Speed n rpm	Dimension							
		at 1500 rpm l/min	at max rpm l/min			A mm	B mm	Inlet			Outlet		
								E	F	d	E	F	d
20A(C)4,5X086	4,5	6,14	14,33	250	3500	39,8	78	40	15	M6-6H	35	15	M6-6H
20A(C)6,3X086	6,3	8,69	20,29	250	3500	41	81						
20A(C)8,2X086	8,2	11,32	26,40	250	3500	43,1	83,9						
20A(C)10X086	10	13,95	32,55	250	3500	47,5	87						
20A(C)11X086	11,3	15,76	36,78	250	3500	47,5	89						
20A(C)12X086	12	16,92	39,48	250	3500	47,5	90,3						
20A(C)14X086	14	19,95	46,55	250	3500	47,5	93,4						
20A(C)15X086	15	21,60	36,00	250	2500	47,5	95						
20A(C)16X086	16	23,04	38,40	250	2500	47,5	96,5						
20A(C)19X086	19	27,36	45,60	200	2500	47,5	101,5						
20A(C)22X086	22	31,68	42,24	180	2000	55	106,5						
20A(C)25X086	25	36,00	48,00	160	2000	57,2	111,4						
20A(C)14X086H	14	20,16	47,04	250	3500	47,5	103,7	40	20	M6-6H	35	15	M6-6H
20A(C)15X086H	15	21,60	43,20	250	3000	47,5	105,2						
20A(C)16X086H	16	23,04	46,08	250	3000	47,5	106,8						
20A(C)17,3X086H	17,3	24,91	49,82	230	3000	47,5	108,9						
20A(C)18,2X086H	18,2	26,21	52,42	210	3000	47,5	110,5						
20A(C)19X086H	19	27,36	54,72	200	3000	47,5	111,8						
20A(C)22X086H	22	31,68	52,80	180	2500	55	116,8						
20A(C)25X086H	25	36,00	60,00	160	2500	57,2	121,7						
20A(C)28X086H	28	40,32	67,20	130	2500	64,8	126,5						
20A(C)32X086H	32	46,08	61,44	120	2000	68	132,8						
20A(C)36X086H	36	51,84	69,12	100	2000	71,2	139,4						

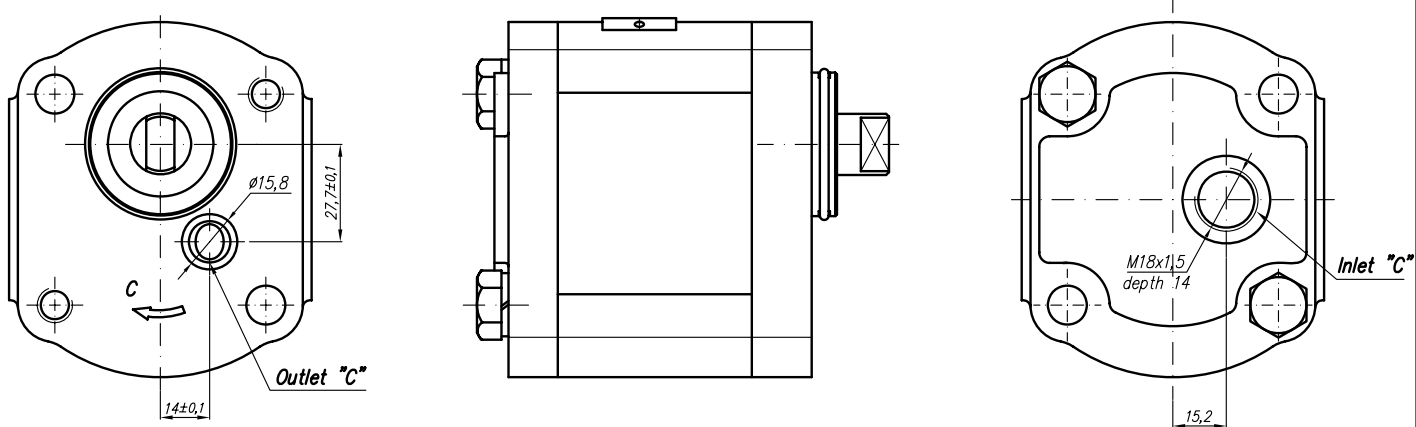


Type	Displacement cm <sup>3</sup> /rev	Flow		Pressure P <sub>nom</sub> bar	max Speed n rpm	Dimension								
		at 1500 rpm l/min	at max rpm l/min			A mm	B mm	Inlet			Outlet			
						E	F	d	E	F	d			
20A(C)4,5X087	4,5	6,14	14,33	250	3500	37,3	75,1	40	15	M6-6H	35	15	M6-6H	
20A(C)6,3X087	6,3	8,69	20,29	250	3500	38,6	78							
20A(C)8,2X087	8,2	11,32	26,40	250	3500	40,6	78							
20A(C)10X087	10	13,95	32,55	250	3500	45	87		20					
20A(C)11X087	11,3	15,76	36,78	250	3500	45	89,1							
20A(C)12X087	12	16,92	39,48	250	3500	45	90,3							
20A(C)14X087	14	19,95	46,55	250	3500	45	93,4		M6-6H					
20A(C)15X087	15	21,60	36,00	250	2500	45	94,9							
20A(C)16X087	16	23,04	38,40	250	2500	45	96,5							
20A(C)19X087	19	27,36	45,60	200	2500	45	101,5		M6-6H					
20A(C)22X087	22	31,68	42,24	180	2000	52,5	106,5							
20A(C)25X087	25	36,00	48,00	160	2000	57,2	111,4							

Rotation "A"



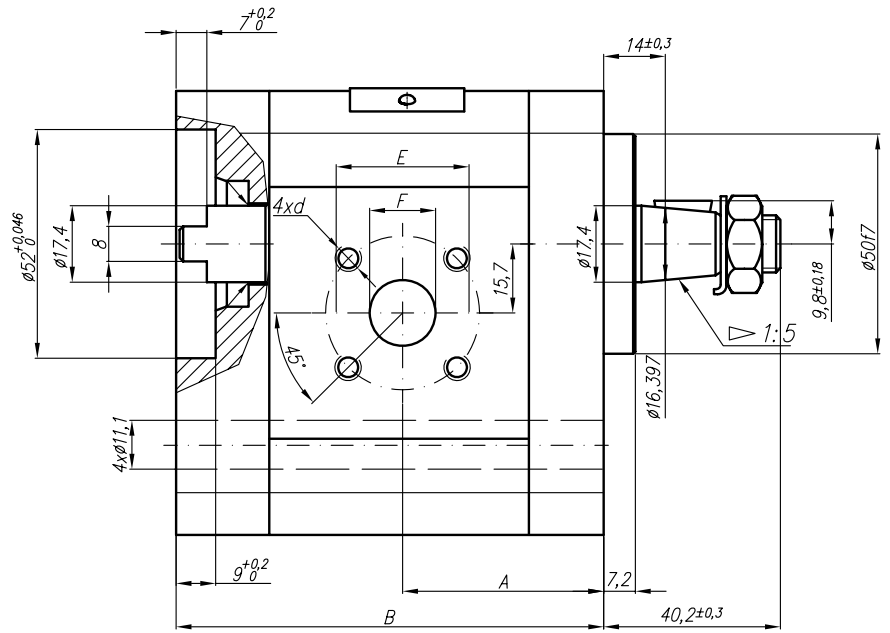
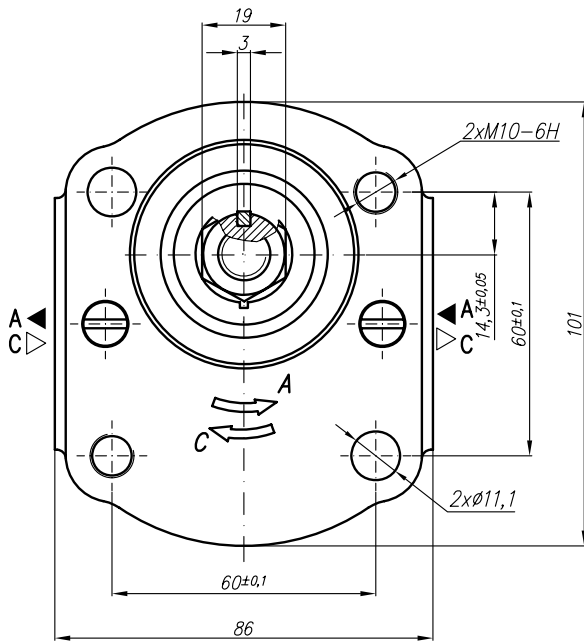
Rotation "C"



\* It's required inlet overpressure 0,2...0,3 bar.

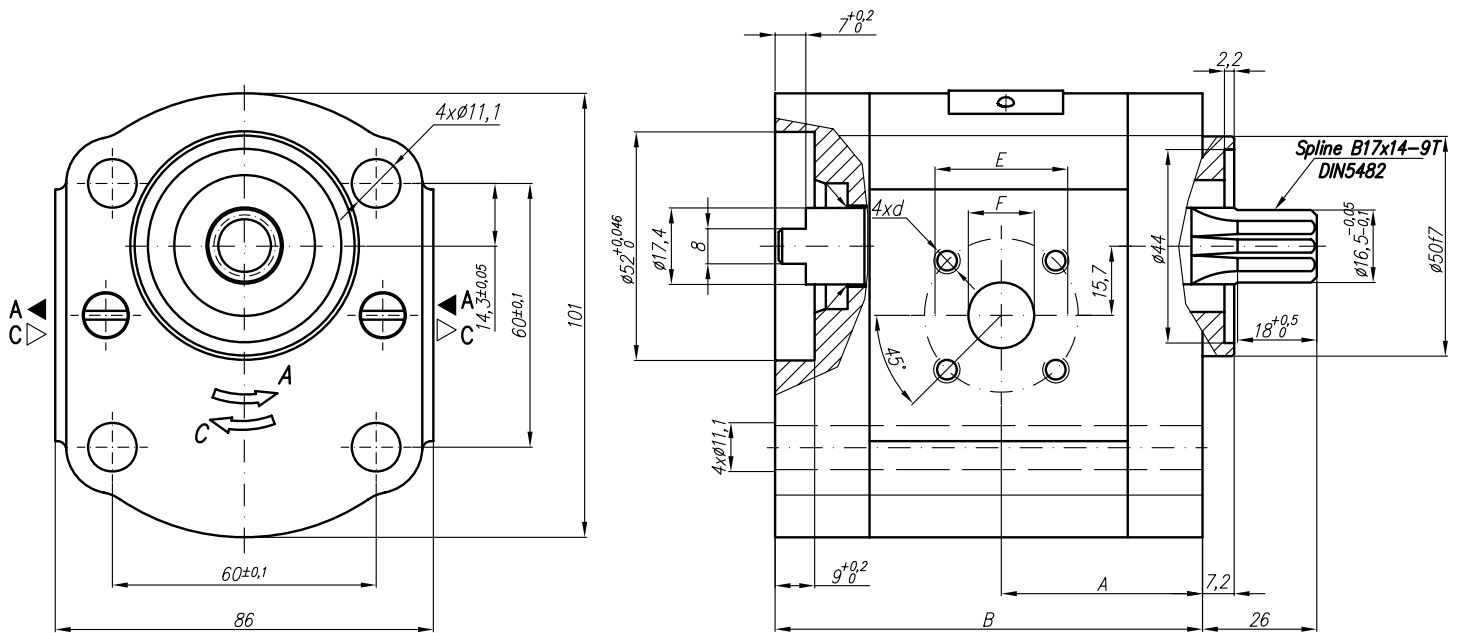
Type	Displacement cm <sup>3</sup> /rev	Flow		Pressure P <sub>nom</sub> bar	max Speed n* rpm	Dimension							
		at 1500 rpm l/min	at max rpm l/min			A mm	B mm	Inlet			Outlet		
								M	G	U			
20A(C)4,5X091	4,5	6,14	14,33	250	3500		75,1	M18x1,5					
20A(C)6,3X091	6,3	8,69	20,29	250	3500		78						
20A(C)8,2X091	8,2	11,32	26,40	250	3500		78						
20A(C)10X091	10	13,95	32,55	250	3500		87						
20A(C)11X091	11,3	15,76	36,78	250	3500		89,1						
20A(C)12X091	12	16,92	39,48	250	3500		90,3						
20A(C)14X091	14	19,95	46,55	250	3500		93,4						
20A(C)15X091	15	21,60	36,00	250	2500		94,9						
20A(C)16X091	16	23,04	38,40	250	2500		96,5						
20A(C)19X091	19	27,36	45,60	200	2500		101,5						
20A(C)22X091	22	31,68	42,24	180	2000		106,5						
20A(C)25X091	25	36,00	48,00	160	2000		111,4						

20A(C)...X095(H)



Type	Displacement cm <sup>3</sup> /rev	Flow		Pressure P <sub>nom</sub> bar	max Speed n rpm	Dimension							
		at 1500 rpm l/min	at max rpm l/min			A mm	B mm	Inlet			Outlet		
								E	F	d	E	F	d
20A(C)4,5X095	4,5	6,14	14,33	250	3500	40,5	85,2	40	15	M6-6H	35	15	M6-6H
20A(C)6,3X095	6,3	8,69	20,29	250	3500	42	88,2						
20A(C)8,2X095	8,2	11,32	26,40	250	3500	43,5	91,1						
20A(C)10X095	10	13,95	32,55	250	3500	45	94,1						
20A(C)11X095	11,3	15,76	36,78	250	3500	46	96,2						
20A(C)12X095	12	16,92	39,48	250	3500	46,5	97,5						
20A(C)14X095	14	19,95	46,55	250	3500	48	100,6						
20A(C)15X095	15	21,60	36,00	250	2500	49	102,1						
20A(C)16X095	16	23,04	38,40	250	2500	50	103,8						
20A(C)19X095	19	27,36	45,60	200	2500	52	108,7						
20A(C)22X095	22	31,68	42,24	180	2000	55	113,7						
20A(C)25X095	25	36,00	48,00	160	2000	57,2	118,5						
20A(C)14X095H	14	20,16	47,04	250	3500	53,3	110,9						
20A(C)15X095H	15	21,60	43,20	250	3000	54	112,4						
20A(C)16X095H	16	23,04	46,08	250	3000	54,9	114						
20A(C)17,3X095H	17,3	24,91	49,82	230	3000	56	116,1						
20A(C)18,2X095H	18,2	26,21	52,42	210	3000	56,8	117,7						
20A(C)19X095H	19	27,36	54,72	200	3000	57,4	119						
20A(C)22X095H	22	31,68	52,80	180	2500	59,9	124						
20A(C)25X095H	25	36,00	60,00	160	2500	62,3	128,9						
20A(C)28X095H	28	40,32	67,20	130	2500	64,8	133,7						
20A(C)32X095H	32	46,08	61,44	120	2000	68	140						
20A(C)36X095H	36	51,84	69,12	100	2000	71,2	146,6						

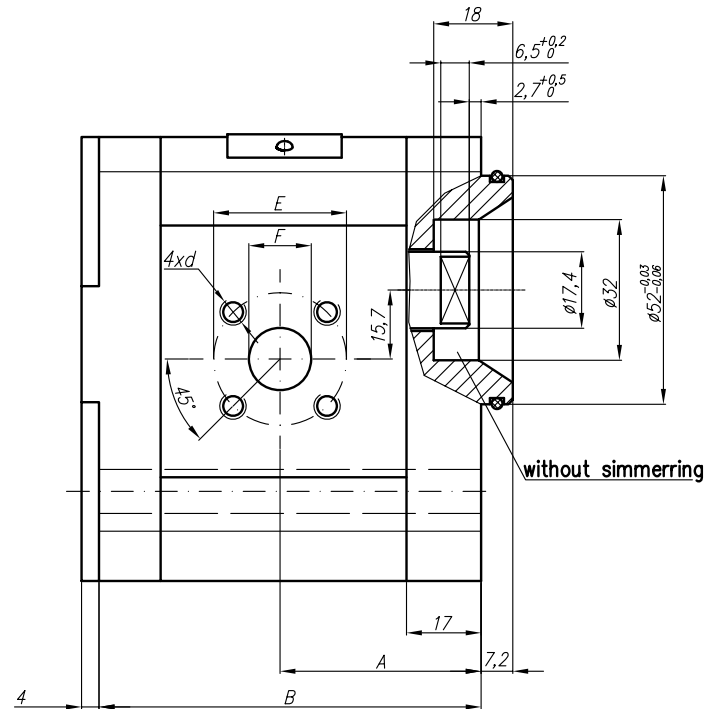
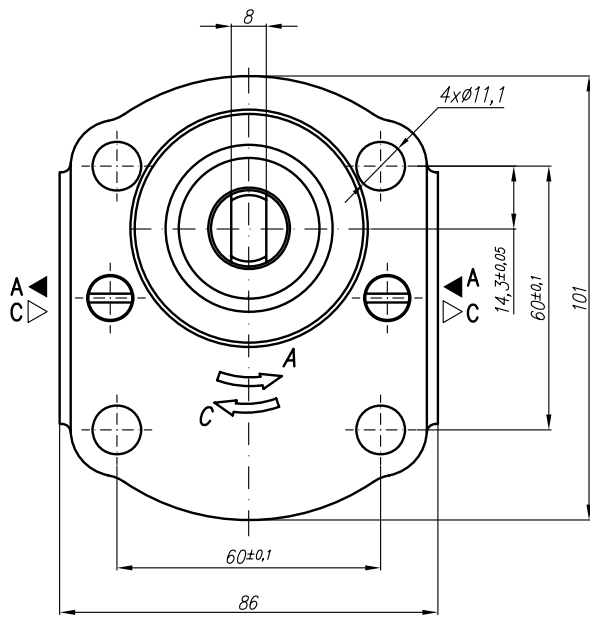
20A(C)...X096(H)



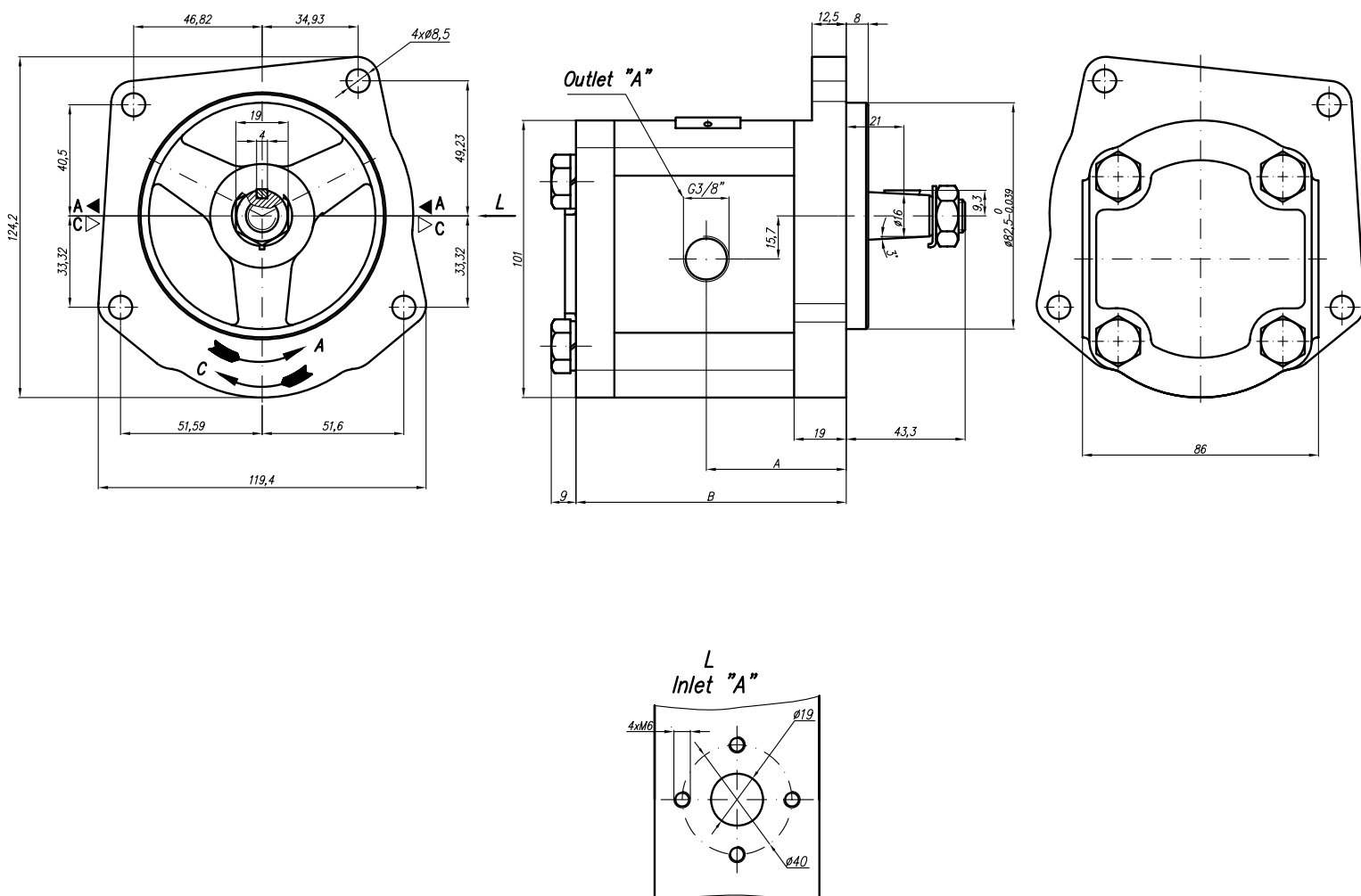
Type	Displacement cm <sup>3</sup> /rev	Flow		Pressure P <sub>nom</sub> bar	max Speed n rpm	Dimension							
		at 1500 rpm l/min	at max rpm l/min			A mm	B mm	Inlet			Outlet		
								E	F	d	E	F	d
20A(C)4,5X096	4,5	6,14	14,33	250	3500	40,5	85,2	40	15	M6-6H	35	15	M6-6H
20A(C)6,3X096	6,3	8,69	20,29	250	3500	42	88,2						
20A(C)8,2X096	8,2	11,32	26,40	250	3500	43,5	91,1						
20A(C)10X096	10	13,95	32,55	250	3500	45	94,1						
20A(C)11X096	11,3	15,76	36,78	250	3500	46	96,2						
20A(C)12X096	12	16,92	39,48	250	3500	46,5	97,5						
20A(C)14X096	14	19,95	46,55	250	3500	48	100,6						
20A(C)15X096	15	21,60	36,00	250	2500	49	102,1						
20A(C)16X096	16	23,04	38,40	250	2500	50	103,8						
20A(C)19X096	19	27,36	45,60	200	2500	52	108,7						
20A(C)22X096	22	31,68	42,24	180	2000	55	113,7						
20A(C)25X096	25	36,00	48,00	160	2000	57,2	118,5						
20A(C)14X096H	14	20,16	47,04	250	3500	53,1	110,9						
20A(C)15X096H	15	21,60	43,20	250	3000	54	112,4						
20A(C)16X096H	16	23,04	46,08	250	3000	54,9	114						
20A(C)17,3X096H	17,3	24,91	49,82	230	3000	56	116,1						
20A(C)18,2X096H	18,2	26,21	52,42	210	3000	56,8	117,7						
20A(C)19X096H	19	27,36	54,72	200	3000	57,4	119						
20A(C)22X096H	22	31,68	52,80	180	2500	59,9	124						
20A(C)25X096H	25	36,00	60,00	160	2500	62,3	128,9						
20A(C)28X096H	28	40,32	67,20	130	2500	64,8	133,7						
20A(C)32X096H	32	46,08	61,44	120	2000	68	140						
20A(C)36X096H	36	51,84	69,12	100	2000	71,2	146,6						



20A(C)...X097(H)



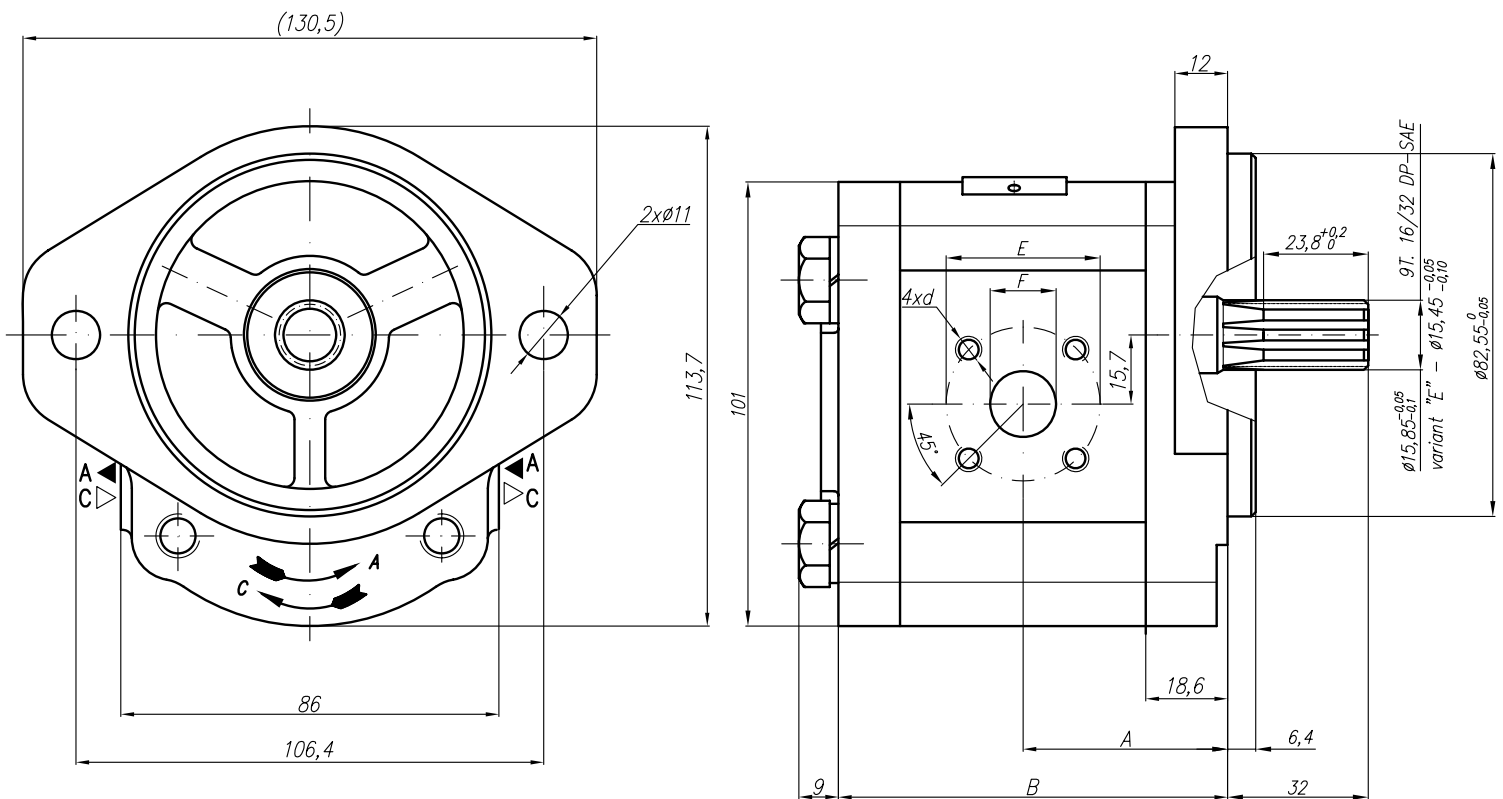
Type	Displacement cm <sup>3</sup> /rev	Flow		Pressure P <sub>nom</sub> bar	max Speed n rpm	Dimension							
		at 1500 rpm l/min	at max rpm l/min			A mm	B mm	Inlet			Outlet		
20A(C)4,5X097	4,5	6,14	14,33	250	3500	40,5	78	40	20	M6-6H	35	15	M6-6H
20A(C)6,3X097	6,3	8,69	20,29	250	3500	42	81						
20A(C)8,2X097	8,2	11,32	26,40	250	3500	43,5	83,9						
20A(C)10X097	10	13,95	32,55	250	3500	45	87						
20A(C)11X097	11,3	15,76	36,78	250	3500	46	89						
20A(C)12X097	12	16,92	39,48	250	3500	46,5	90,3						
20A(C)14X097	14	19,95	46,55	250	3500	48	93,4						
20A(C)15X097	15	21,60	36,00	250	2500	49	95						
20A(C)16X097	16	23,04	38,40	250	2500	50	96,5						
20A(C)19X097	19	27,36	45,60	200	2500	52	101,5						
20A(C)22X097	22	31,68	42,24	180	2000	55	106,5						
20A(C)25X097	25	36,00	48,00	160	2000	57,2	111,4						
20A(C)14X097H	14	20,16	47,04	250	3500	53	110,9						
20A(C)15X097H	15	21,60	43,20	250	3000	54	105,2						
20A(C)16X097H	16	23,04	46,08	250	3000	54,9	106,8						
20A(C)17,3X097H	17,3	24,91	49,82	230	3000	56	108,9						
20A(C)18,2X097H	18,2	26,21	52,42	210	3000	56,8	110,5						
20A(C)19X097H	19	27,36	54,72	200	3000	57,4	111,8						
20A(C)22X097H	22	31,68	52,80	180	2500	59,9	116,8						
20A(C)25X097H	25	36,00	60,00	160	2500	62,3	121,7						
20A(C)28X097H	28	40,32	67,20	130	2500	64,8	126,5						
20A(C)32X097H	32	46,08	61,44	120	2000	68	132,8						
20A(C)36X097H	36	51,84	69,12	100	2000	71,2	139,4						



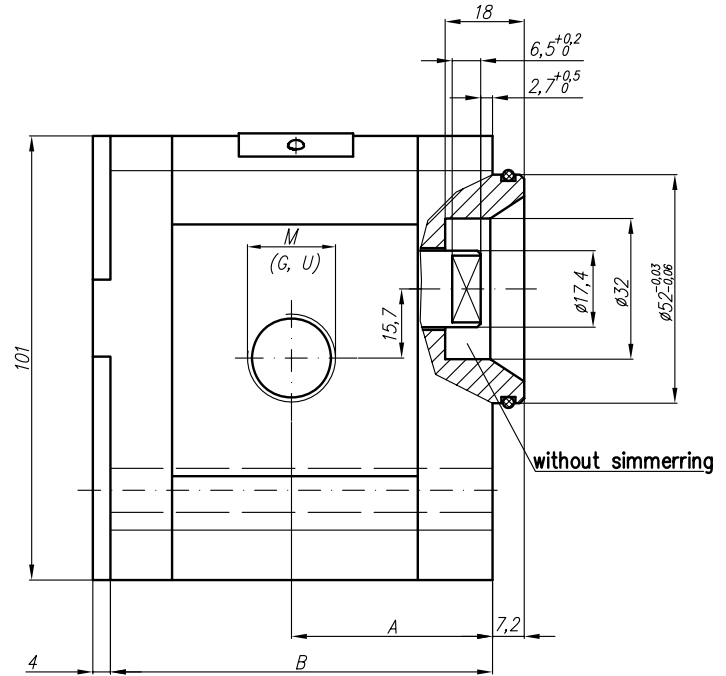
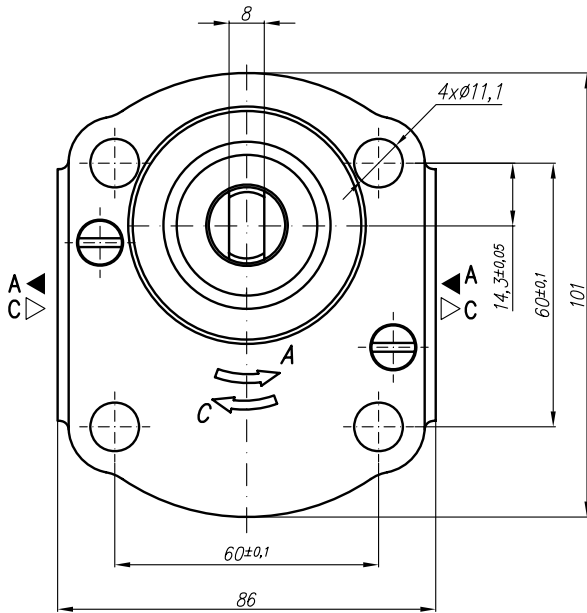
\* These pressures recommended for direct drives with gear.

Type	Displacement cm <sup>3</sup> /rev	Flow		Pressure P <sub>nom</sub> bar	max Speed n rpm	Dimension							
		at 1500 rpm l/min	at max rpm l/min			Inlet			Outlet				
						A mm	B mm	E	F	d	M	G	U
20A(C)15X102	15	21,60	36,00	250(175*)	2500	51	96,9	40	19	M6-6H		G3/8	
20A(C)16X102	16	23,04	38,40	250(175*)	2500	51	98,5						
20A(C)25X102	25	36,00	48,00	160(100*)	2000	59,2	113,4						

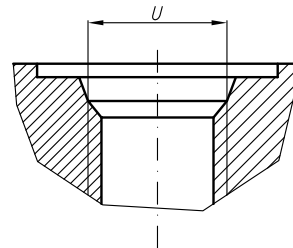




Type	Displacement	Flow		Pressure	max Speed	Dimension							
		at 1500 rpm	at max rpm			P <sub>nom</sub>	n	A	B	Inlet		Outlet	
	cm <sup>3</sup> /rev	l/min	l/min	bar	rpm	mm	mm	E	F	d	E	F	d
20A(C)4,5X104	4,5	6,14	14,33	250	3500	42	79,6	40	15	M6-6H	35	15	M6-6H
20A(C)6,3X104	6,3	8,69	20,29	250	3500	43,6	82,6						
20A(C)8,2X104	8,2	11,32	26,40	250	3500	45	85,6						
20A(C)10X104	10	13,95	32,55	250	3500	46,6	88,7						
20A(C)11X104	11,3	15,76	36,78	250	3500	47,6	90,7						
20A(C)12X104	12	16,92	39,48	250	3500	48,2	91,9						
20A(C)14X104	14	19,95	46,55	250	3500	49,6	95						
20A(C)15X104	15	21,60	36,00	250	2500	50,6	96,5						
20A(C)16X104	16	23,04	38,40	250	2500	51,6	98,2						
20A(C)19X104	19	27,36	45,60	200	2500	53,6	103,1						
20A(C)22X104	22	31,68	42,24	180	2000	56,6	108,1						
20A(C)25X104	25	36,00	48,00	160	2000	58,8	113						



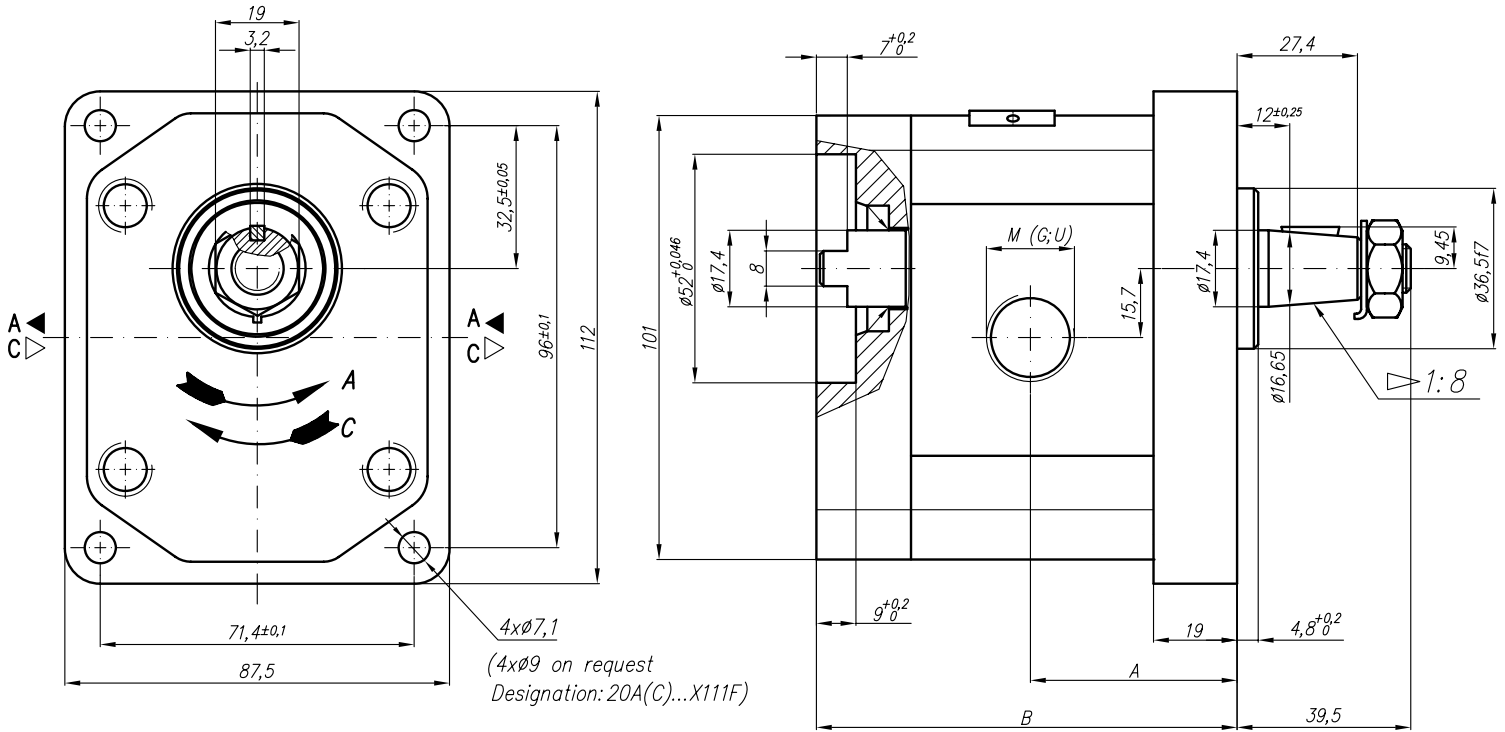
SAE J475 (ISO R725)



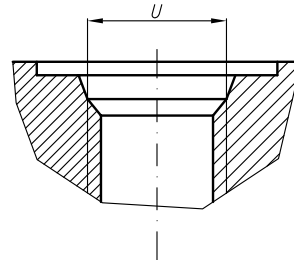
Type	Displacement cm <sup>3</sup> /rev	Flow		Pressure P <sub>nom</sub> bar	max Speed n rpm	Dimension											
		at 1500 rpm l/min	at max rpm l/min			A mm	B mm	Inlet			Outlet						
								M	G	U	M	G	U				
20A(C)4,5X110...	4,5	6,14	14,33	250	3500	40,5	78	M20x1,5	G1/2	1 1/16"-12UNF	M16x1,5	G1/2	7/8"-14UNF				
20A(C)6,3X110...	6,3	8,69	20,29	250	3500	42	81										
20A(C)8,2X110...	8,2	11,32	26,40	250	3500	43,5	83,9										
20A(C)10X110...	10	13,95	32,55	250	3500	45	87		G3/4								
20A(C)11X110...	11,3	15,76	36,78	250	3500	46	89										
20A(C)12X110...	12	16,92	39,48	250	3500	46,5	90,3		G3/4								
20A(C)14X110...	14	19,95	46,55	250	3500	48	93,4										
20A(C)15X110...	15	21,60	36,00	250	2500	49	95		G3/4								
20A(C)16X110...	16	23,04	38,40	250	2500	50	96,5										
20A(C)19X110...	19	27,36	45,60	200	2500	52	101,5		G3/4								
20A(C)22X110...	22	31,68	42,24	180	2000	55	106,5										
20A(C)25X110...	25	36,00	48,00	160	2000	57,2	111,4		M20x1,5					G1/2	M20x1,5	G1/2	7/8"-14UNF



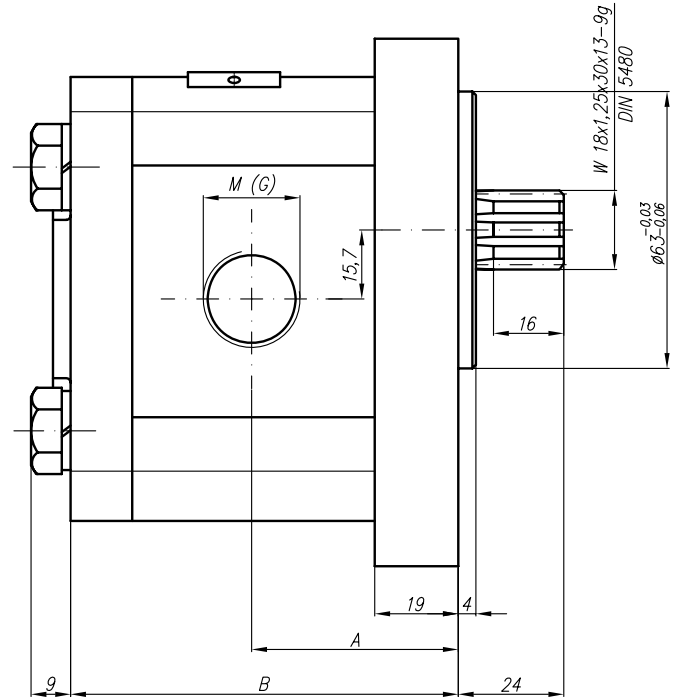
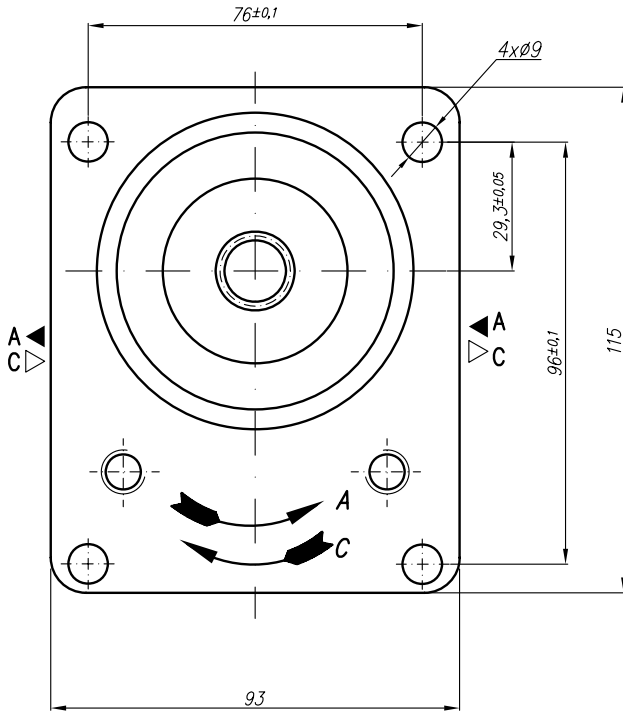
20A(C)...X111...



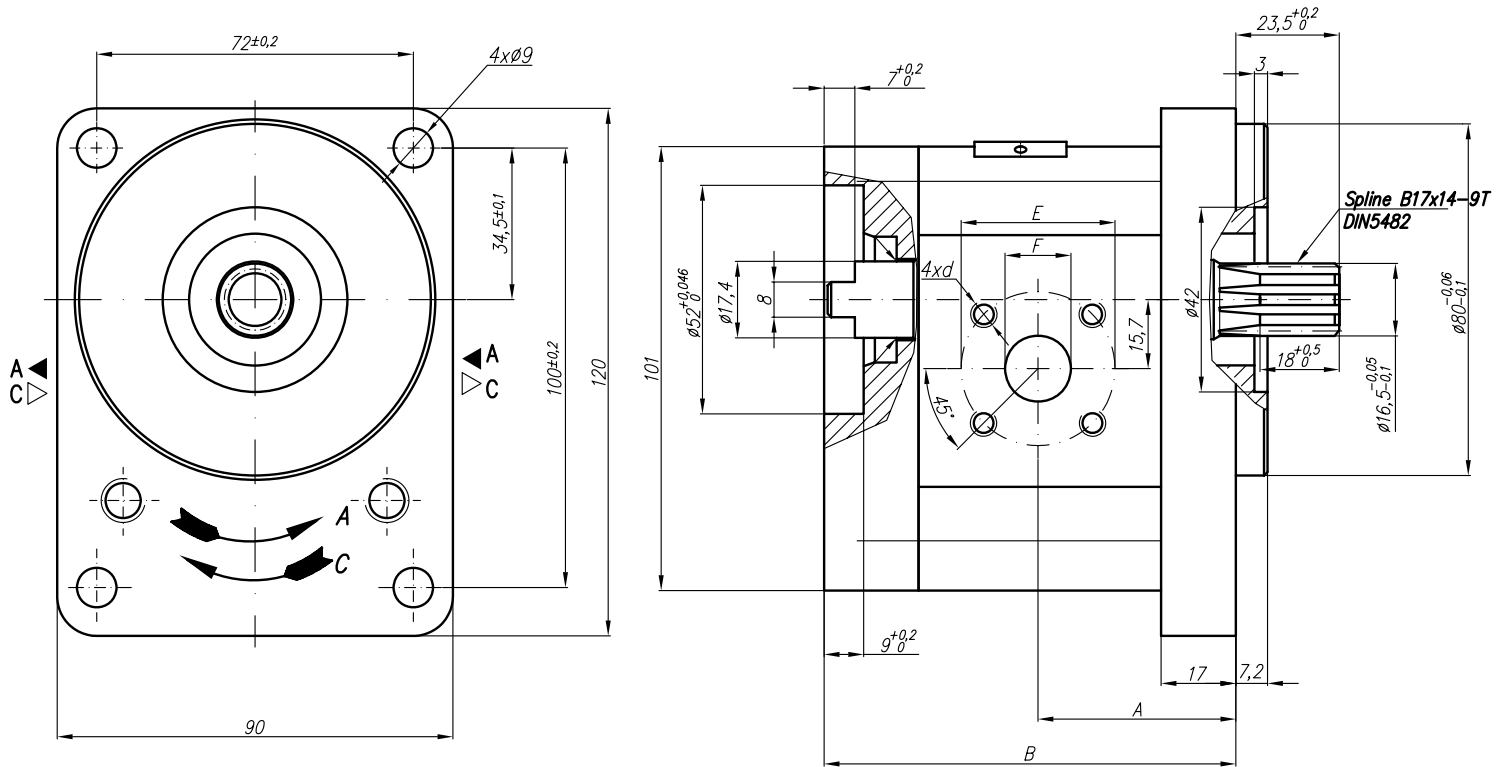
SAE J475 (ISO R725)



Type	Displacement cm <sup>3</sup> /rev	Flow		Pressure P <sub>nom</sub> bar	max Speed n rpm	Dimension							
		at 1500 rpm l/min	at max rpm l/min			A mm	B mm	Inlet			Outlet		
								M	G	U	M	G	U
20A(C)4,5X111...	4,5	6,14	14,33	250	3500	42,5	87,2	M20x1,5	G1/2	1 1/16"-12UNF	M16x1,5	G1/2	7/8"-14UNF
20A(C)6,3X111...	6,3	8,69	20,29	250	3500	44	90,2						
20A(C)8,2X111...	8,2	11,32	26,40	250	3500	45,5	93,1						
20A(C)10X111...	10	13,95	32,55	250	3500	47	96,2		G3/4				
20A(C)11X111...	11,3	15,76	36,78	250	3500	48	98,2						
20A(C)12X111...	12	16,92	39,48	250	3500	48,6	99,5		G3/4				
20A(C)14X111...	14	19,95	46,55	250	3500	50	102,6						
20A(C)15X111...	15	21,60	36,00	250	2500	51	104,1		G3/4				
20A(C)16X111...	16	23,04	38,40	250	2500	52	105,8						
20A(C)19X111...	19	27,36	45,60	200	2500	54	110,7		G3/4				
20A(C)22X111...	22	31,68	42,24	180	2000	57	115,7						
20A(C)25X111...	25	36,00	48,00	160	2000	59,2	120,6		M20x1,5				



Type	Displacement cm <sup>3</sup> /rev	Flow		Pressure P <sub>nom</sub> bar	max Speed n rpm	Dimension							
		at 1500 rpm l/min	at max rpm l/min			A mm	B mm	Inlet			Outlet		
								M	G	U	M	G	U
20A(C)4,5X114...	4,5	6,14	14,33	250	3500	42,5	80	M18x1,5	G1/2		M14x1,5		
20A(C)6,3X114...	6,3	8,69	20,29	250	3500	42,5	80	M18x1,5	G1/2		M14x1,5		
20A(C)8,2X114...	8,2	11,32	26,40	250	3500	42,5	80	M18x1,5	G1/2		M14x1,5		
20A(C)10X114...	10	13,95	32,55	250	3500	47	89	M22x1,5	G1/2		M18x1,5	G1/2	
20A(C)11X114...	11,3	15,76	36,78	250	3500	48,6	91,1	M22x1,5	G1/2		M18x1,5	G1/2	
20A(C)12X114...	12	16,92	39,48	250	3500	49	92,3	M22x1,5	G1/2		M18x1,5	G1/2	
20A(C)14X114...	14	19,95	46,55	250	3500	49	95,4	M27x2	G3/4		M18x1,5	G1/2	
20A(C)15X114...	15	21,60	36,00	250	2500	49,5	96,9	M27x2	G3/4		M18x1,5	G1/2	
20A(C)16X114...	16	23,04	38,40	250	2500	52	98,6	M27x2	G3/4		M18x1,5	G1/2	
20A(C)19X114...	19	27,36	45,60	200	2500	53	103,5	M27x2	G3/4		M18x1,5	G1/2	
20A(C)22X114...	22	31,68	42,24	180	2000	57	108,5	M27x2	G3/4		M18x1,5	G1/2	
20A(C)25X114...	25	36,00	48,00	160	2000	59,2	113,4	M27x2	G3/4		M18x1,5	G1/2	

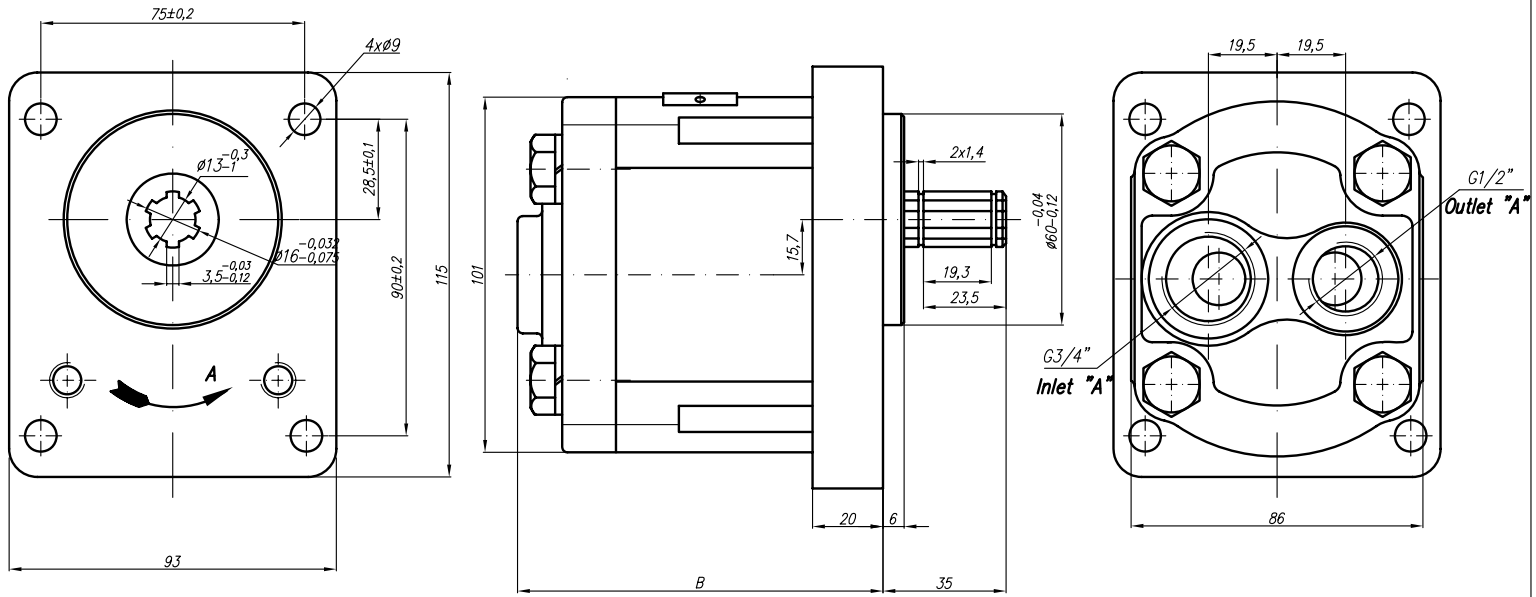


Type	Displacement cm <sup>3</sup> /rev	Flow		Pressure P <sub>nom</sub> bar	max Speed n rpm	Dimension								
		at 1500 rpm l/min	at max rpm l/min			A mm	B mm	Inlet			Outlet			
						E	F	d	E	F	d			
20A(C)4,5X124	4,5	6,14	14,33	250	3500	39,8	85,2	40	20	M6-6H	35	15	M6-6H	
20A(C)6,3X124	6,3	8,69	20,29	250	3500	41	88,2							
20A(C)8,2X124	8,2	11,32	26,40	250	3500	43,1	91,1							
20A(C)10X124	10	13,95	32,55	250	3500	47,5	94,1							
20A(C)11X124	11,3	15,76	36,78	250	3500	47,5	96,2							
20A(C)12X124	12	16,92	39,48	250	3500	47,5	97,5							
20A(C)14X124	14	19,95	46,55	250	3500	47,5	100,6							
20A(C)15X124	15	21,60	36,00	250	2500	47,5	102,1							
20A(C)16X124	16	23,04	38,40	250	2500	47,5	103,8							
20A(C)19X124	19	27,36	45,60	200	2500	47,5	108,7							
20A(C)22X124	22	31,68	42,24	180	2000	55	113,7							
20A(C)25X124	25	36,00	48,00	160	2000	57,2	118,5							

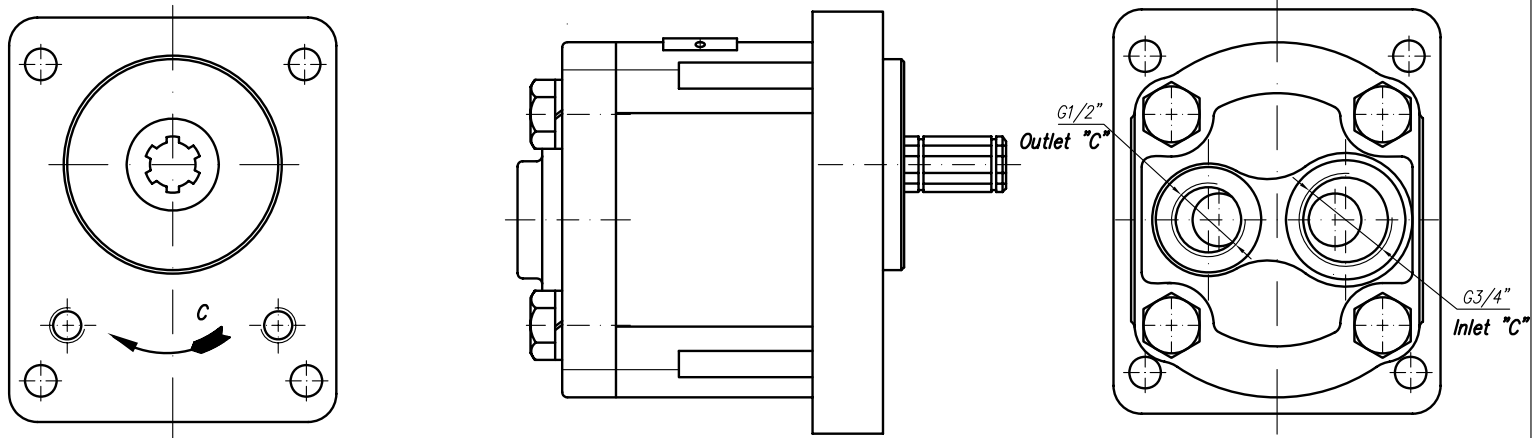




Rotation "A"

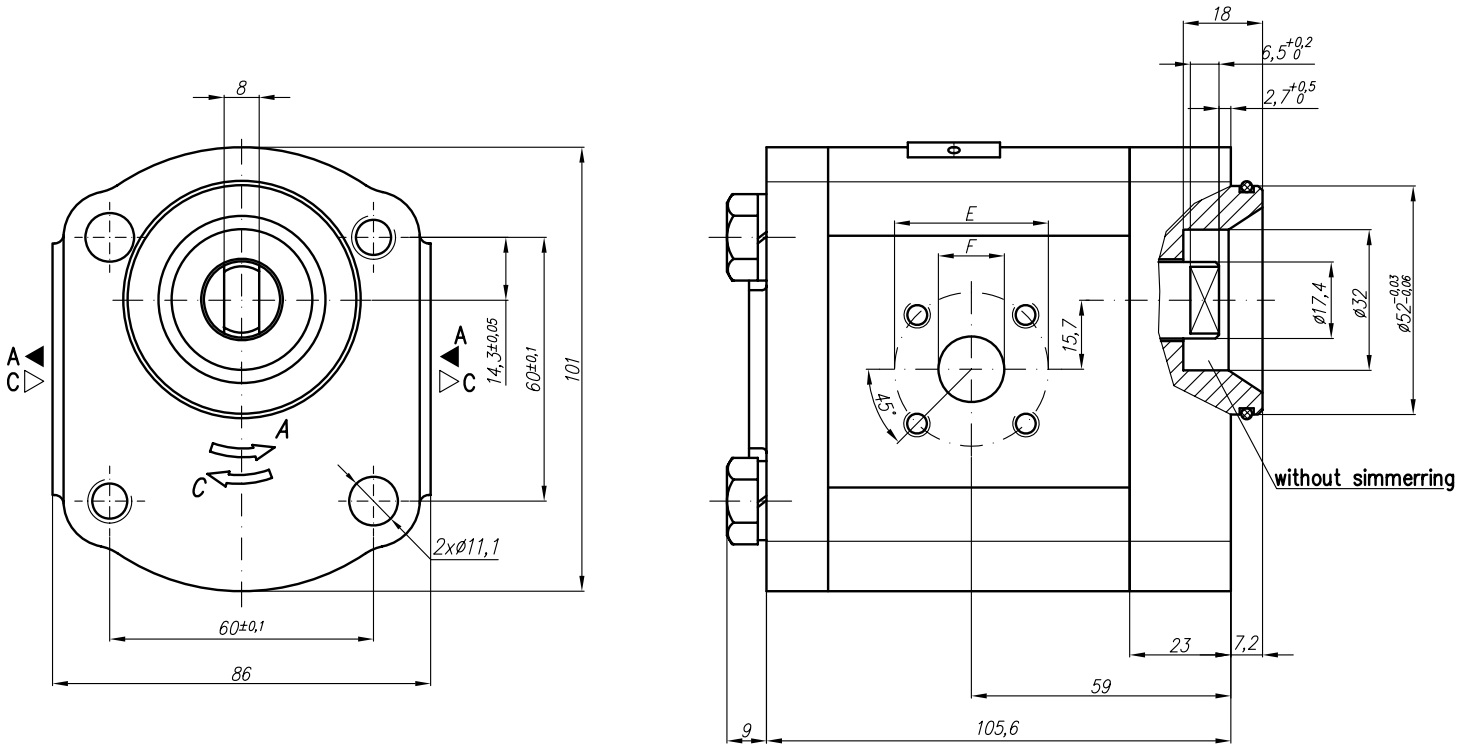


Rotation "C"

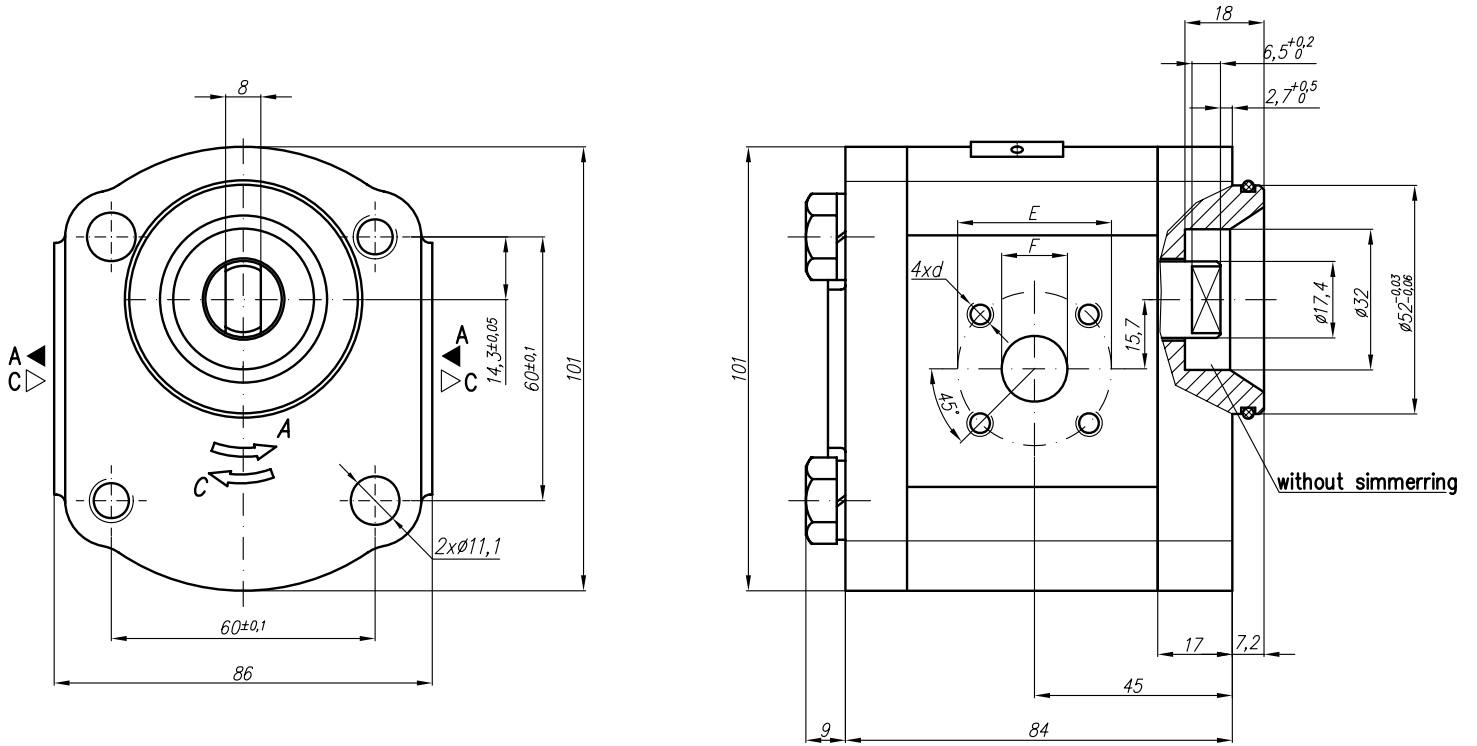


Type	Displacement cm <sup>3</sup> /rev	Flow		Pressure P <sub>nom</sub> bar	max Speed n rpm	Dimension							
		at 1500 rpm l/min	at max rpm l/min			A mm	B mm	Inlet G		Outlet G			
20A(C)6,3X126W	6,3	8,69	20,29	250	3500		98						
20A(C)8,2X126W	8,2	11,32	26,40	250	3500		100,9						
20A(C)10X126W	10	13,95	32,55	250	3500		103,9						
20A(C)11X126W	11,3	15,76	36,78	250	3500		106						
20A(C)14X126W	14	19,95	46,55	250	3500		110,4						
20A(C)16X126W	16	23,04	38,40	250	2500		113,5						
20A(C)19X126W	19	27,36	45,60	200	2500		118,5						
20A(C)22X126W	22	31,68	42,24	180	2000		123,5						

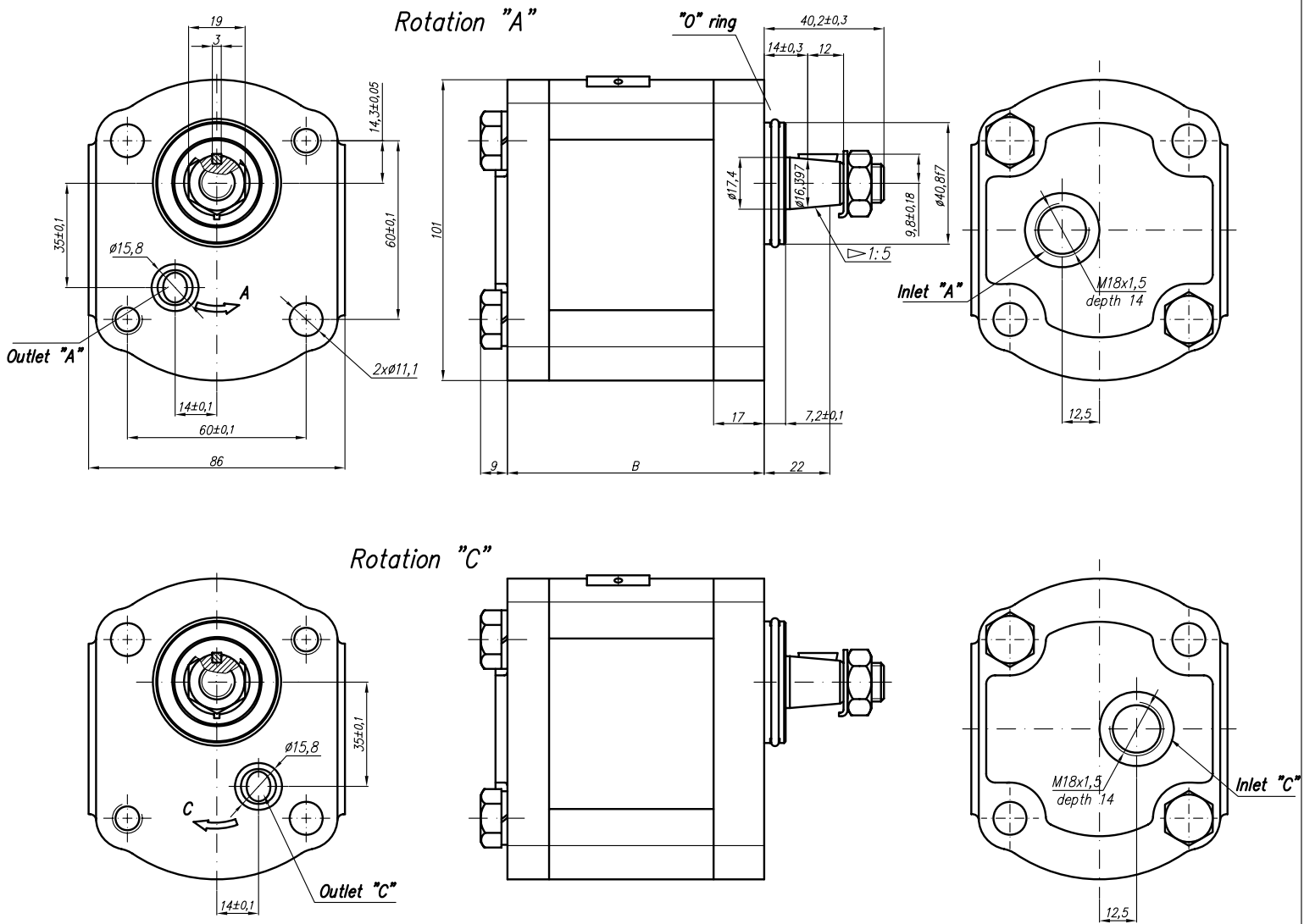




Type	Displacement	Flow		Pressure P <sub>nom</sub>	max Speed n	Dimension							
		at 1500 rpm	at max rpm			A	B	Inlet		Outlet			
	cm <sup>3</sup> /rev	l/min	l/min	bar	rpm	mm	mm	E	F	d	E	F	d
20A(C)11X127	16	23,04	53,76	250	3500	59	105,6	40	20	M6	35	15	M6



Type	Displacement cm <sup>3</sup> /rev	Flow		Pressure P <sub>nom</sub> bar	max Speed n rpm	Dimension							
		at 1500 rpm l/min	at max rpm l/min			Inlet			Outlet				
						A mm	B mm	E mm	F mm	d mm	E mm	F mm	d mm
20A(C)11X128	11,3	15,76	36,78	250	3500	45	84	40	20	M6	35	15	M6



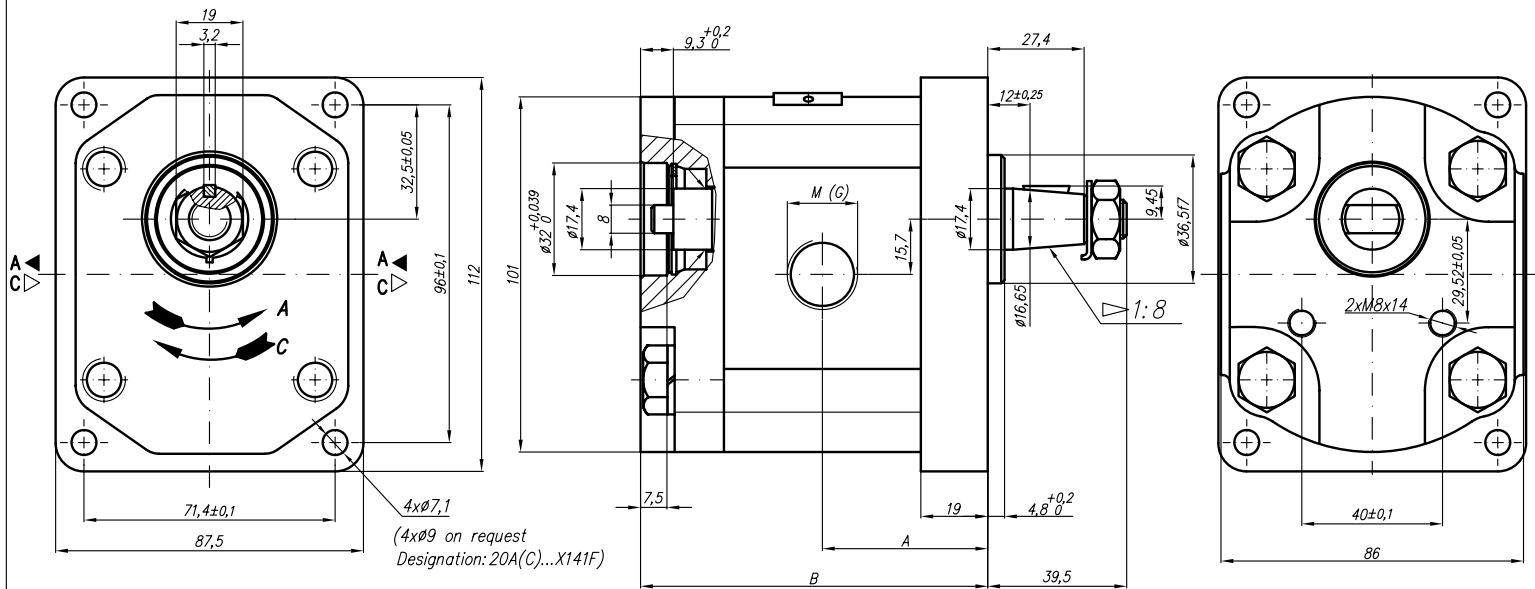
\* It's required inlet overpressure 0,2...0,3 bar at max speed.

Type	Displacement cm <sup>3</sup> /rev	Flow		Pressure P <sub>nom</sub> bar	max Speed n* rpm	Dimension							
		at 1500 rpm l/min	at max rpm l/min			A mm	B mm	Inlet			Outlet		
								M	G	U			
20A(C)4,5X132	4,5	6,14	14,33	250	3500	75,1							
20A(C)6,3X132	6,3	8,69	20,29	250	3500	78							
20A(C)8,2X132	8,2	11,32	26,40	250	3500	78							
20A(C)10X132	10	13,95	32,55	250	3500	87							
20A(C)11X132	11,3	15,76	36,78	250	3500	89,1							
20A(C)12X132	12	16,92	39,48	250	3500	90,3							
20A(C)14X132	14	19,95	46,55	250	3500	93,4							
20A(C)15X132	15	21,60	36,00	250	2500	94,9							
20A(C)16X132	16	23,04	38,40	250	2500	96,5							
20A(C)19X132	19	27,36	45,60	200	2500	101,5							
20A(C)22X132	22	31,68	42,24	180	2000	106,5							
20A(C)25X132	25	36,00	48,00	160	2000	111,4							

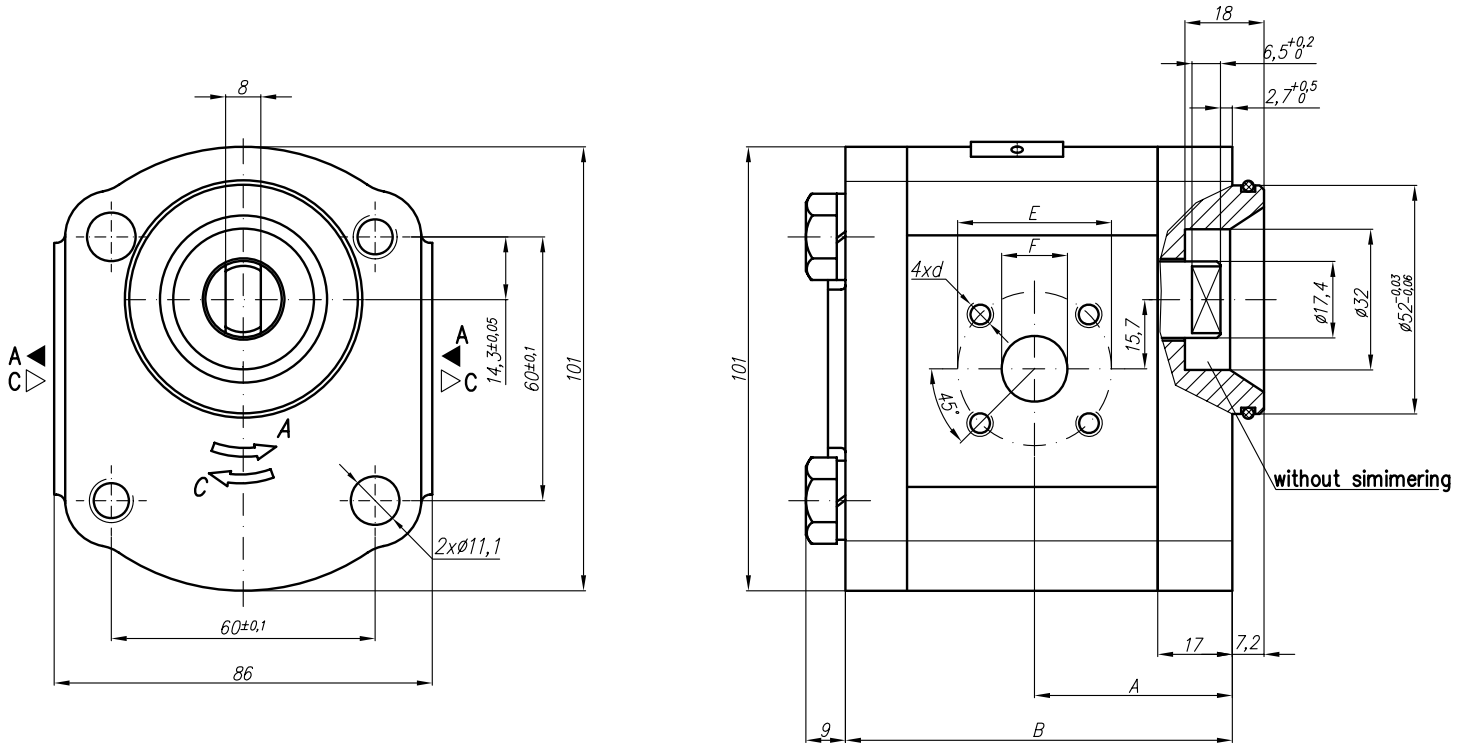




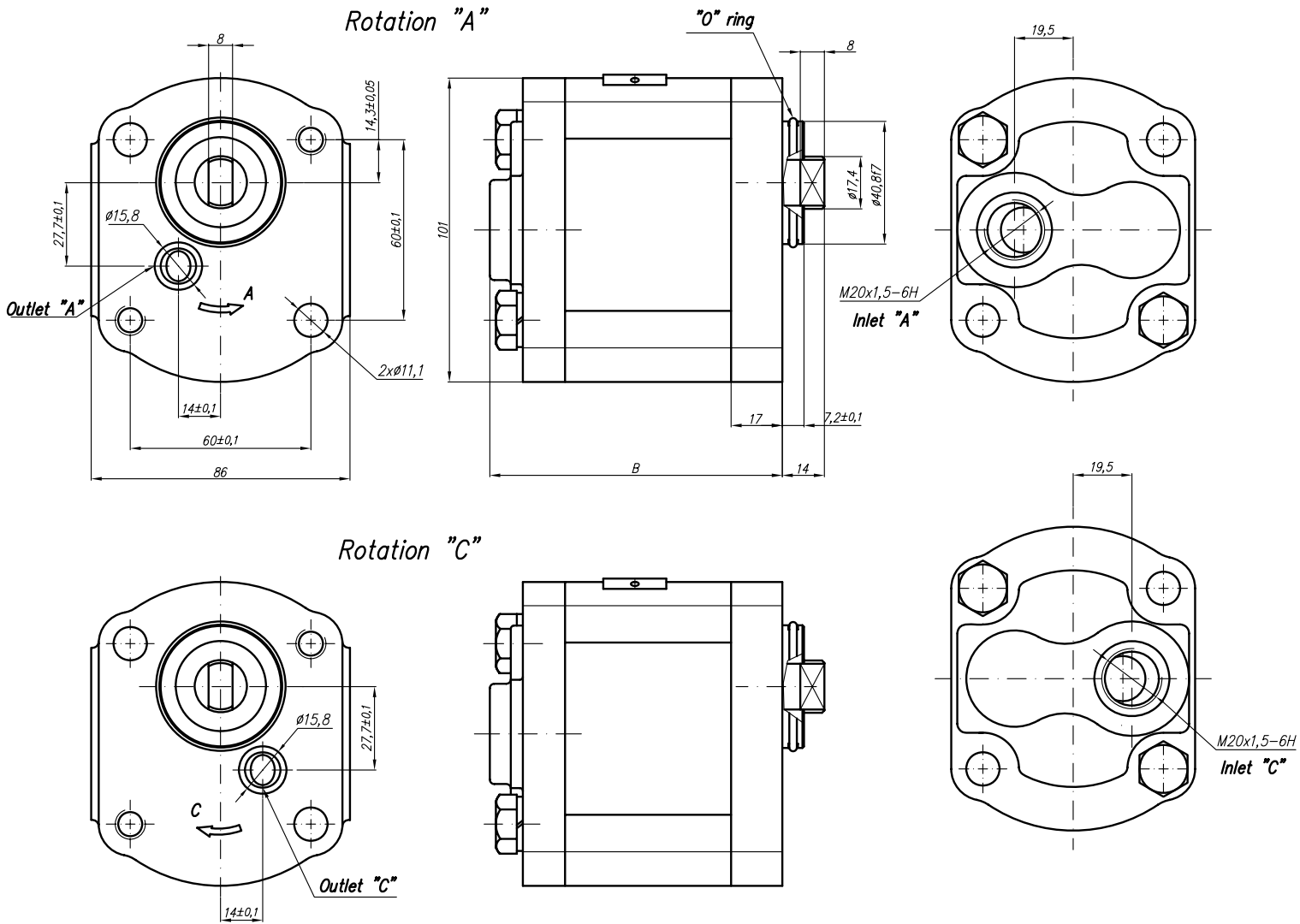




Type	Displacement cm <sup>3</sup> /rev	Flow		Pressure P <sub>nom</sub> bar	max Speed n rpm	Dimension							
		at 1500 rpm l/min	at max rpm l/min			A mm	B mm	Inlet			Outlet		
								M	G	U	M	G	U
20A(C)4,5X141...	4,5	6,14	14,33	250	3500	42,5	89,7	M20x1,5	G1/2				
20A(C)6,3X141...	6,3	8,69	20,29	250	3500	44	92,7						
20A(C)8,2X141...	8,2	11,32	26,40	250	3500	45,5	95,6						
20A(C)10X141...	10	13,95	32,55	250	3500	47	98,7						
20A(C)11X141...	11,3	15,76	36,78	250	3500	48	100,7						
20A(C)12X141...	12	16,92	39,48	250	3500	48,6	102		G3/4				
20A(C)14X141...	14	19,95	46,55	250	3500	50	105,1						
20A(C)15X141...	15	21,60	36,00	250	2500	51	106,6						
20A(C)16X141...	16	23,04	38,40	250	2500	52	108,3						
20A(C)19X141...	19	27,36	45,60	200	2500	54	113,2						
20A(C)22X141...	22	31,68	42,24	180	2000	57	118,2	M20X1,5					
20A(C)25X141...	25	36,00	48,00	160	2000	59,2	123,1						



Type	Displacement cm <sup>3</sup> /rev	Flow		Pressure P <sub>nom</sub> bar	max Speed n rpm	Dimension								
		at 1500 rpm l/min	at max rpm l/min			A mm	B mm	Inlet			Outlet			
						E	F	d	E	F	d			
20A(C)4,5X147	4,5	6,14	14,33	250	3500	37,3	78	40	20	M6-6H	35	15	M6-6H	
20A(C)6,3X147	6,3	8,69	20,29	250	3500	38,6	81							
20A(C)8,2X147	8,2	11,32	26,40	250	3500	40,6	83,9							
20A(C)10X147	10	13,95	32,55	250	3500	45	87							
20A(C)11X147	11,3	15,76	36,78	250	3500	45	89,1							
20A(C)12X147	12	16,92	39,48	250	3500	45	90,3							
20A(C)14X147	14	19,95	46,55	250	3500	45	93,4							
20A(C)15X147	15	21,60	36,00	250	2500	45	94,9							
20A(C)16X147	16	23,04	38,40	250	2500	45	96,5							
20A(C)19X147	19	27,36	45,60	200	2500	45	101,5							
20A(C)22X147	22	31,68	42,24	180	2000	52,5	106,5							
20A(C)25X147	25	36,00	48,00	160	2000	57,2	111,4							

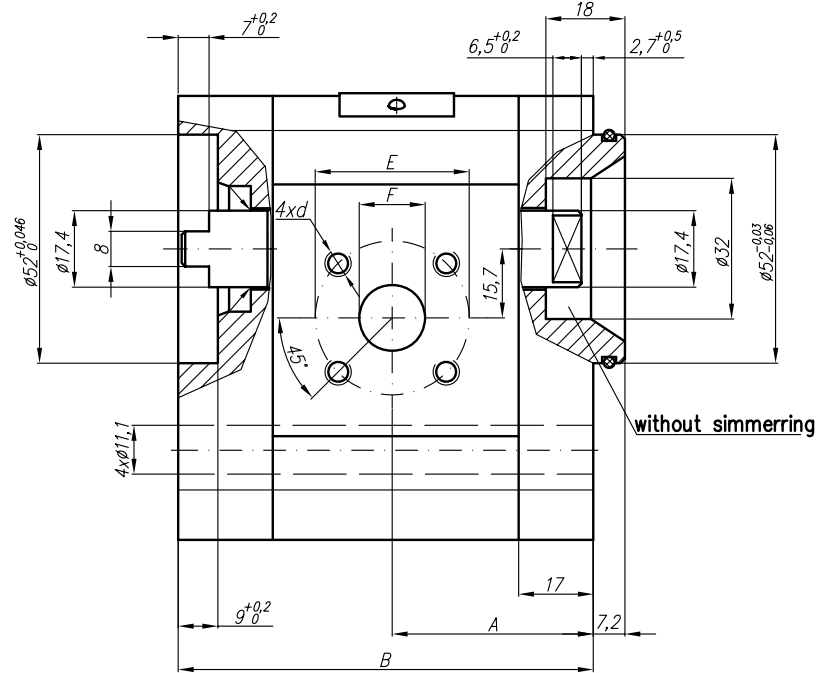
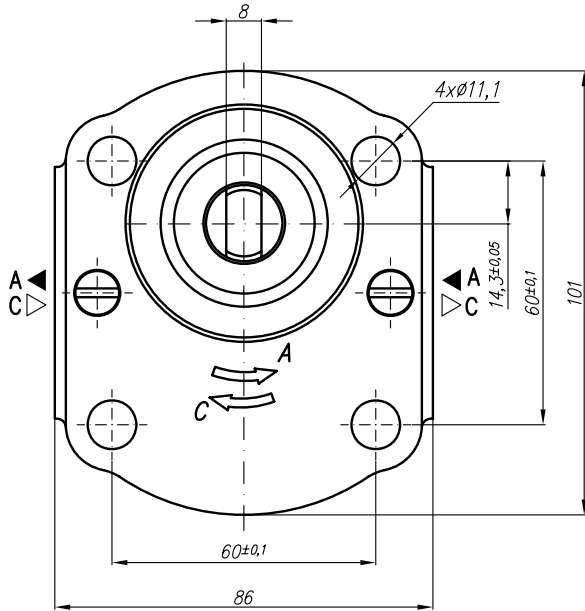


\* It's required inlet overpressure 0,2...0,3 bar at max speed.

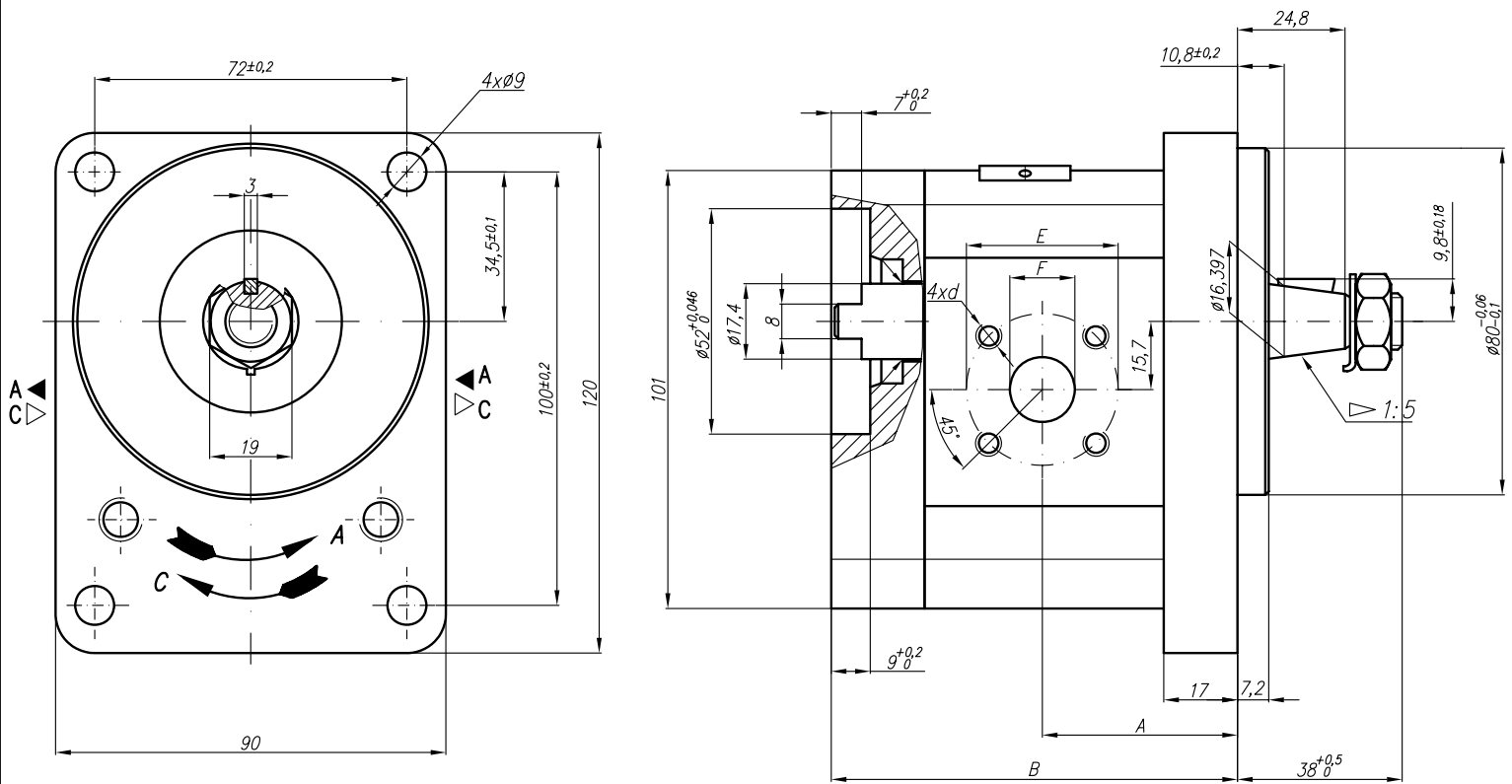
Type	Displacement cm <sup>3</sup> /rev	Flow		Pressure P <sub>nom</sub> bar	max Speed n* rpm	Dimension						
		at 1500 rpm l/min	at max rpm l/min			A mm	B mm	Inlet			Outlet	
								M	G	U		
20A(C)4,5X153	4,5	6,14	14,33	250	3500		89,1	M20x1,5				
20A(C)6,3X153	6,3	8,69	20,29	250	3500		92					
20A(C)8,2X153	8,2	11,32	26,40	250	3500		92					
20A(C)10X153	10	13,95	32,55	250	3500		101					
20A(C)11X153	11,3	15,76	36,78	250	3500		103					
20A(C)12X153	12	16,92	39,48	250	3500		104,3					
20A(C)14X153	14	19,95	46,55	250	3500		107,4					
20A(C)15X153	15	21,60	36,00	250	2500		108,9					
20A(C)16X153	16	23,04	38,40	250	2500		110,5					
20A(C)19X153	19	27,36	45,60	200	2500		115,5					
20A(C)22X153	22	31,68	42,24	180	2000		120,5					
20A(C)25X153	25	36,00	48,00	160	2000		125,4					



Designed as a middle section of multiple pumps group 222A(C).../...X156B/...

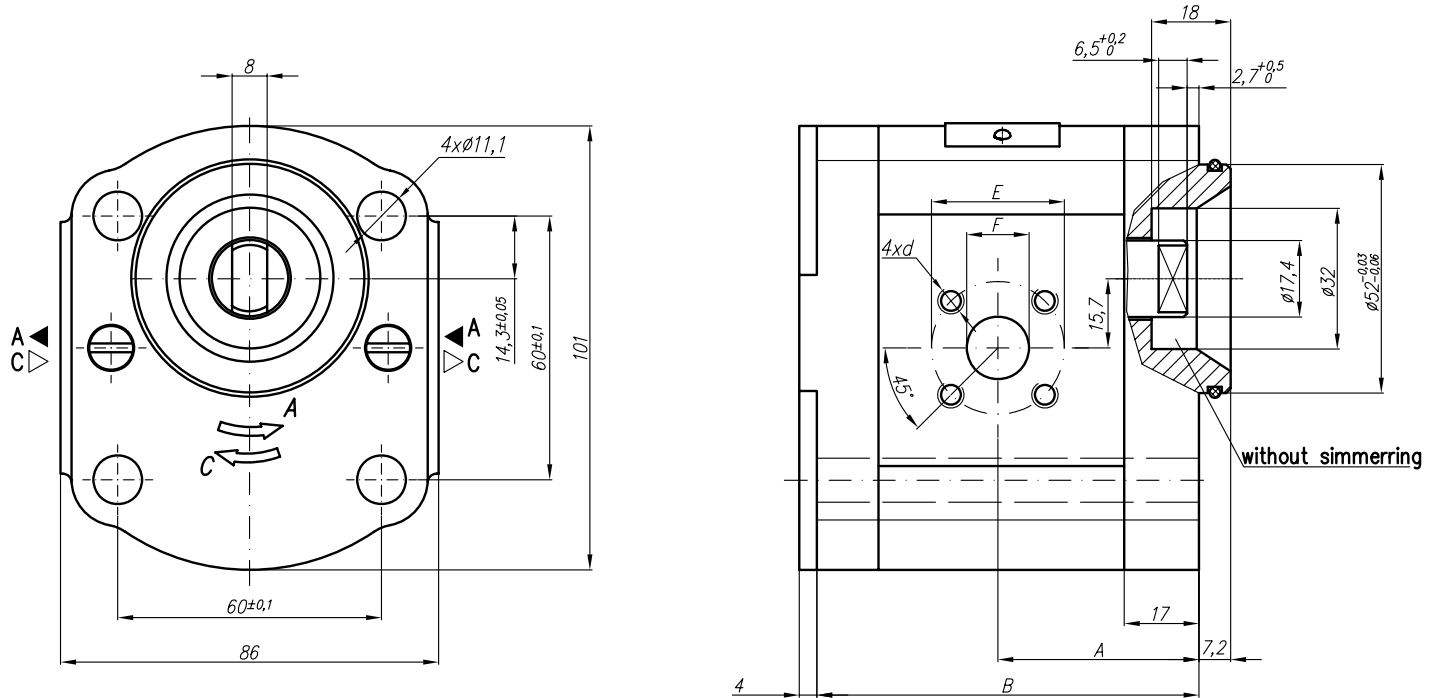


Type	Displacement cm <sup>3</sup> /rev	Flow		Pressure P <sub>nom</sub> bar	max Speed n rpm	Dimension								
		at 1500 rpm l/min	at max rpm l/min			A mm	B mm	Inlet			Outlet			
						E	F	d	E	F	d			
20A(C)4,5X156B	4,5	6,14	14,33	250	3500	40,5	85,2	40	15	M6-6H	35	15	M6-6H	
20A(C)6,3X156B	6,3	8,69	20,29	250	3500	42	88,2							
20A(C)8,2X156B	8,2	11,32	26,40	250	3500	43,5	91,1							
20A(C)10X156B	10	13,95	32,55	250	3500	45	94,1							
20A(C)11X156B	11,3	15,76	36,78	250	3500	46	96,2							
20A(C)12X156B	12	16,92	39,48	250	3500	46,6	97,5							
20A(C)14X156B	14	19,95	46,55	250	3500	48	100,6							
20A(C)15X156B	15	21,60	36,00	250	2500	49	102,1							
20A(C)16X156B	16	23,04	38,40	250	2500	50	103,8							
20A(C)19X156B	19	27,36	45,60	200	2500	52	108,7							
20A(C)22X156B	22	31,68	42,24	180	2000	55	113,7							
20A(C)25X156B	25	36,00	48,00	160	2000	57,2	118,5							



Type	Displacement cm <sup>3</sup> /rev	Flow		Pressure P <sub>nom</sub> bar	max Speed n rpm	Dimension							
		at 1500 rpm l/min	at max rpm l/min			A mm	B mm	Inlet			Outlet		
								E	F	d	E	F	d
20A(C)4,5X158	4,5	6,14	14,33	250	3500	39,8	85,2	40	15	M6-6H	35	15	M6-6H
20A(C)6,3X158	6,3	8,69	20,29	250	3500	41	88,2						
20A(C)8,2X158	8,2	11,32	26,40	250	3500	43,1	91,1						
20A(C)10X158	10	13,95	32,55	250	3500	47,5	94,1		20				
20A(C)11X158	11,3	15,76	36,78	250	3500	47,5	96,2						
20A(C)12X158	12	16,92	39,48	250	3500	47,5	97,5						
20A(C)14X158	14	19,95	46,55	250	3500	47,5	100,6		20				
20A(C)15X158	15	21,60	36,00	250	2500	47,5	102,1						
20A(C)16X158	16	23,04	38,40	250	2500	47,5	103,8						
20A(C)19X158	19	27,36	45,60	200	2500	47,5	108,7		20				
20A(C)22X158	22	31,68	42,24	180	2000	55	113,7						
20A(C)25X158	25	36,00	48,00	160	2000	57,2	118,5						

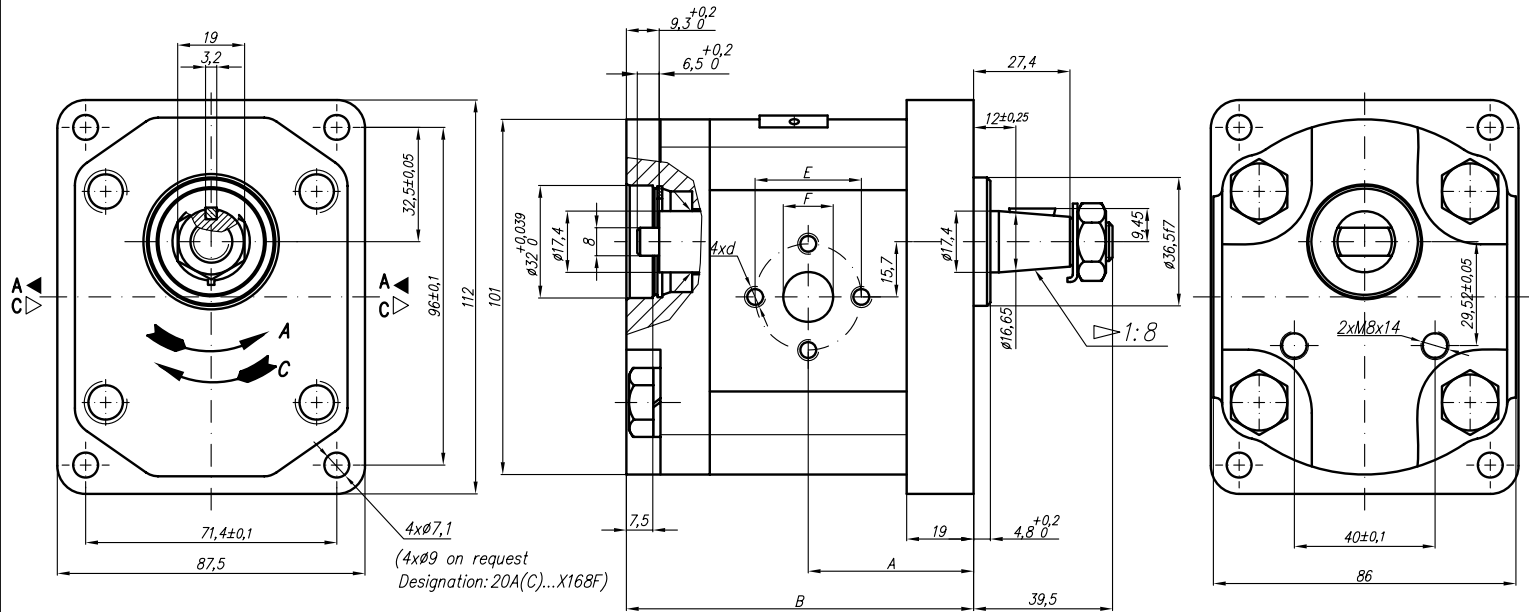




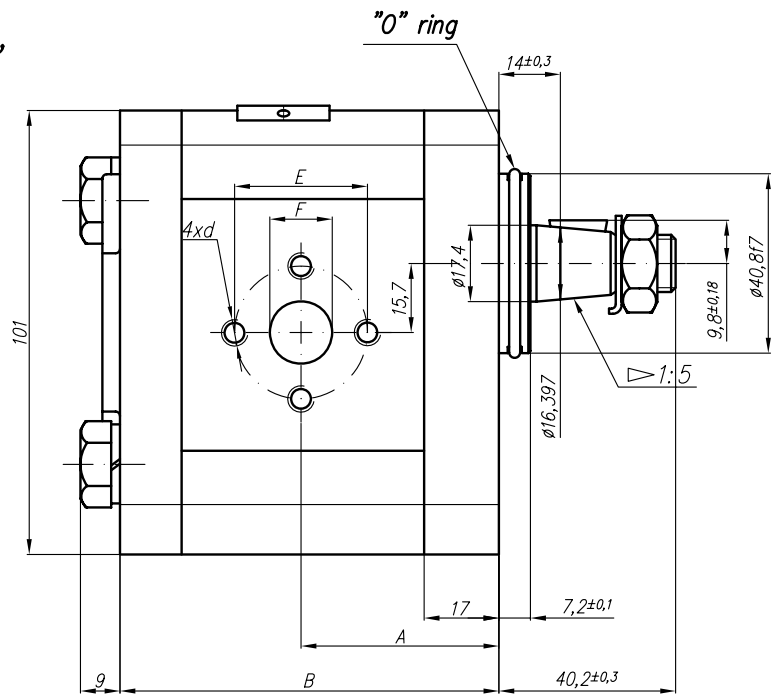
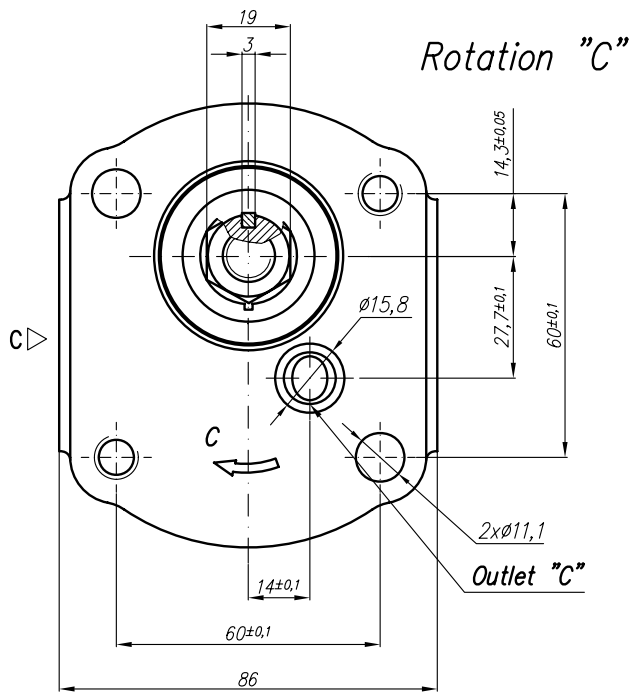
Type	Displacement cm <sup>3</sup> /rev	Flow		Pressure P <sub>nom</sub> bar	max Speed n rpm	Dimension								
		at 1500 rpm l/min	at max rpm l/min			A mm	B mm	Inlet			Outlet			
						E	F	d	E	F	d			
20A(C)4,5X161	4,5	6,14	14,33	250	3500	39,8	78	40	15	M6-6H	35	15	M6-6H	
20A(C)6,3X161	6,3	8,69	20,29	250	3500	41	81							
20A(C)8,2X161	8,2	11,32	26,40	250	3500	43,1	83,9							
20A(C)10X161	10	13,95	32,55	250	3500	47,5	87							
20A(C)11X161	11,3	15,76	36,78	250	3500	47,5	89,1							
20A(C)12X161	12	16,92	39,48	250	3500	47,5	90,3							
20A(C)14X161	14	19,95	46,55	250	3500	47,5	93,4							
20A(C)15X161	15	21,60	36,00	250	2500	47,5	94,9							
20A(C)16X161	16	23,04	38,40	250	2500	47,5	96,5							
20A(C)19X161	19	27,36	45,60	200	2500	47,5	101,5							
20A(C)22X161	22	31,68	42,24	180	2000	55	106,5							
20A(C)25X161	25	36,00	48,00	160	2000	57,2	111,4							



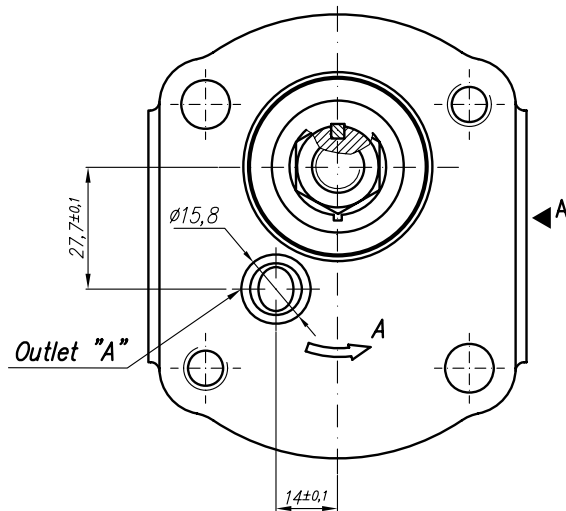
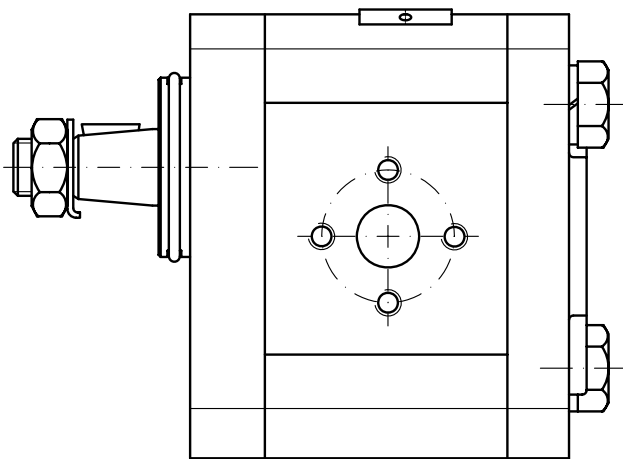
Designed as a first section of tandem gear pumps group 21A(C)...X168/... (llgroup/lgroup).



Type	Displacement cm <sup>3</sup> /rev	Flow		Pressure P <sub>nom</sub> bar	max Speed n rpm	Dimension							
		at 1500 rpm l/min	at max rpm l/min			A mm	B mm	Inlet			Outlet		
								E	F	d	E	F	d
20A(C)4,5X168	4,5	6,14	14,33	250	3500	42,5	89,7	30,2	13,1	M6-6H	30,2	13,1	
20A(C)6,3X168	6,3	8,69	20,29	250	3500	44	92,7						
20A(C)8,2X168	8,2	11,32	26,40	250	3500	45,5	95,6						
20A(C)10X168	10	13,95	32,55	250	3500	47	98,7						
20A(C)11X168	11,3	15,76	36,78	250	3500	48	100,7						
20A(C)12X168	12	16,92	39,48	250	3500	48,6	102	39,7	19	M8-6H	30,2	14,2	M6-6H
20A(C)14X168	14	19,95	46,55	250	3500	50	105,1						
20A(C)15X168	15	21,60	36,00	250	2500	51	106,6						
20A(C)16X168	16	23,04	38,40	250	2500	52	108,3						
20A(C)19X168	19	27,36	45,60	200	2500	54	113,2						
20A(C)22X168	22	31,68	42,24	180	2000	57	118,2	39,7	19	M8	39,7	19	M8
20A(C)25X168	25	36,00	48,00	160	2000	59,2	123,1						



Rotation "A"



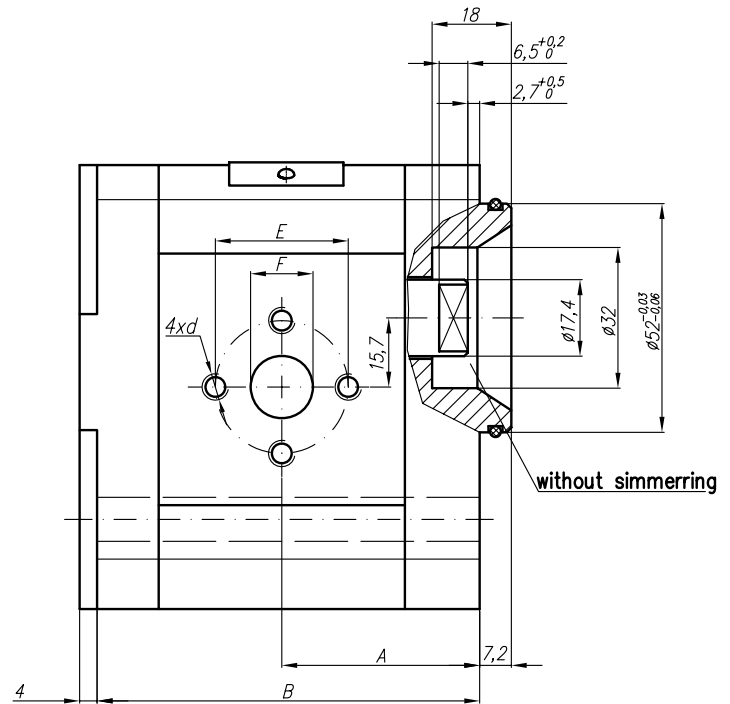
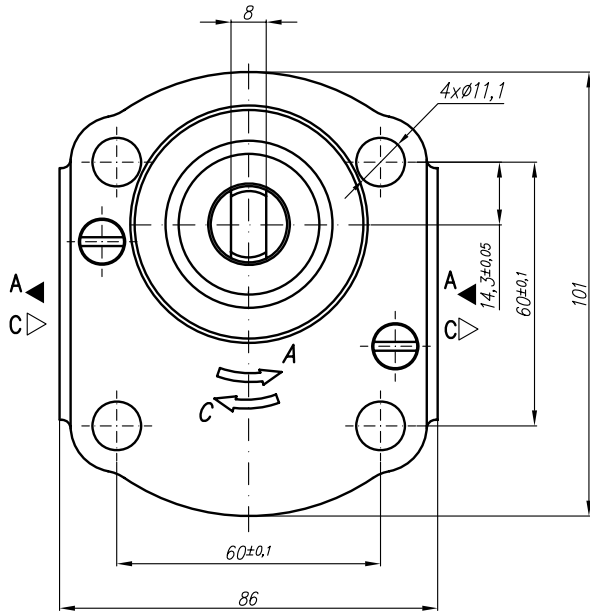
Type	Displacement cm <sup>3</sup> /rev	Flow		Pressure P <sub>nom</sub> bar	max Speed n rpm	Dimension						
		at 1500 rpm l/min	at max rpm l/min			A mm	B mm	Inlet			Outlet	
								E	F	d		
20A(C)4,5X170	4,5	6,14	14,33	250	3500	40,5	78	30,2	13,1	M6-6H	Ø15,8	
20A(C)6,3X170	6,3	8,69	20,29	250	3500	42	81					
20A(C)8,2X170	8,2	11,32	26,40	250	3500	43,5	83,9					
20A(C)10X170	10	13,95	32,55	250	3500	45	87					
20A(C)11X170	11,3	15,76	36,78	250	3500	46	89,1					
20A(C)12X170	12	16,92	39,48	250	3500	46,6	90,3	39,7	19	M8-6H		
20A(C)14X170	14	19,95	46,55	250	3500	48	93,4					
20A(C)15X170	15	21,60	36,00	250	2500	49	94,9					
20A(C)16X170	16	23,04	38,40	250	2500	50	96,6					
20A(C)19X170	19	27,36	45,60	200	2500	52	101,5					
20A(C)22X170	22	31,68	42,24	180	2000	55	106,5					
20A(C)25X170	25	36,00	48,00	160	2000	57,2	111,4					



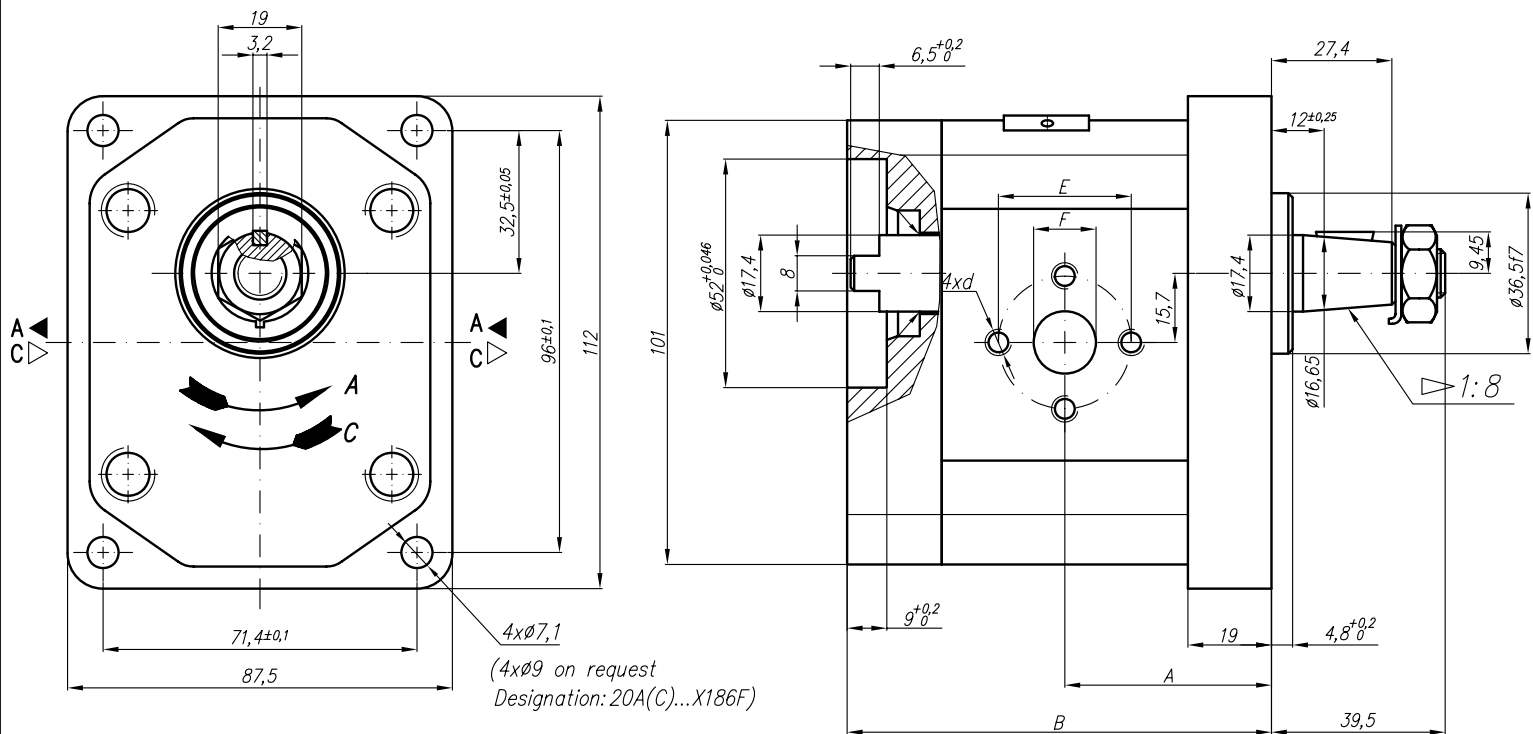




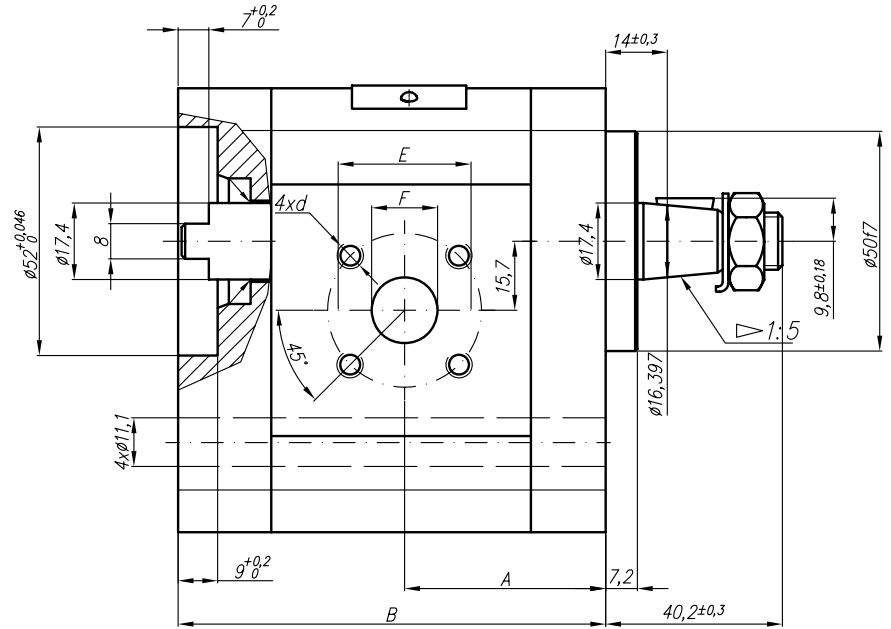
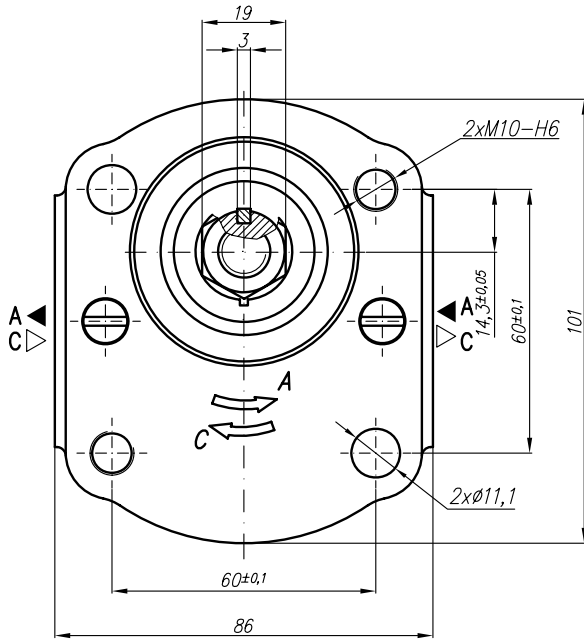




Type	Displacement cm <sup>3</sup> /rev	Flow		Pressure P <sub>nom</sub> bar	max Speed n rpm	Dimension							
		at 1500 rpm l/min	at max rpm l/min			A mm	B mm	Inlet			Outlet		
								E	F	d	E	F	d
20A(C)4,5X185	4,5	6,14	14,33	200	3500	40,5	78	30,2	13,1	M6-6H	30,2	13,1	M6-6H
20A(C)6,3X185	6,3	8,69	20,29	200	3500	40,5	78						
20A(C)8,2X185	8,2	11,32	26,40	200	3500	40,5	78						
20A(C)10X185	10	13,95	32,55	200	3500	45	87						
20A(C)11X185	11,3	15,76	36,78	200	3500	46	89,1	39,7	19	M8-6H	30,2	14,2	M6-6H
20A(C)12X185	12	16,92	39,48	200	3500	46,6	90,3						
20A(C)14X185	14	19,95	46,55	200	3500	48	93,4						
20A(C)15X185	15	21,60	36,00	200	2500	49	94,9						
20A(C)16X185	16	23,04	38,40	200	2500	50	96,6	39,7	19	M8-6H	30,2	14,2	M6-6H
20A(C)19X185	19	27,36	45,60	200	2500	52	101,5						
20A(C)22X185	22	31,68	42,24	180	2000	55	106,5						
20A(C)25X185	25	36,00	48,00	160	2000	57,2	111,4						



Type	Displacement cm <sup>3</sup> /rev	Flow		Pressure P <sub>nom</sub> bar	max Speed n rpm	Dimension							
		at 1500 rpm l/min	at max rpm l/min			Inlet			Outlet				
						A mm	B mm	E mm	F mm	d mm	E mm	F mm	d mm
20A(C)4,5X186	4,5	6,14	14,33	200	3500	42,5	87,2	30,2	13,1	M6-6H	30,2	13,1	M6-6H
20A(C)6,3X186	6,3	8,69	20,29	200	3500	42,5	87,2						
20A(C)8,2X186	8,2	11,32	26,40	200	3500	42,5	87,2						
20A(C)10X186	10	13,95	32,55	200	3500	47	96,2						
20A(C)11X186	11,3	15,76	36,78	200	3500	48	98,2	39,7	19	M8-6H	30,2	14,2	M6-6H
20A(C)12X186	12	16,92	39,48	200	3500	48,6	99,5						
20A(C)14X186	14	19,95	46,55	200	3500	50	102,6						
20A(C)15X186	15	21,60	36,00	200	2500	51	104,1						
20A(C)16X186	16	23,04	38,40	200	2500	52	105,8	39,7	19	M8	39,7	19	M8
20A(C)19X186	19	27,36	45,60	200	2500	54	110,7						
20A(C)22X186	22	31,68	42,24	180	2000	57	115,7						
20A(C)25X186	25	36,00	48,00	160	2000	59,2	120,6						

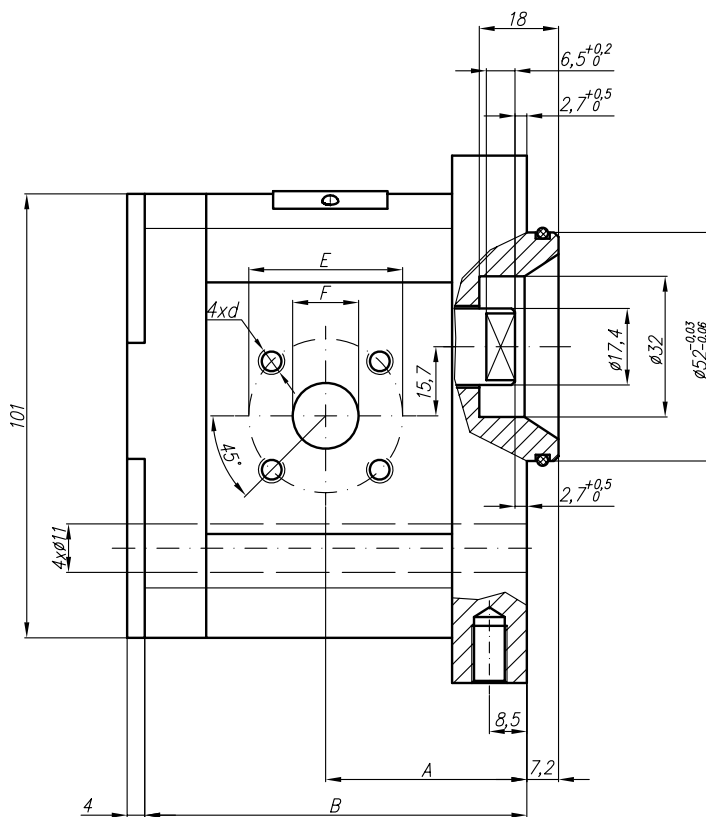
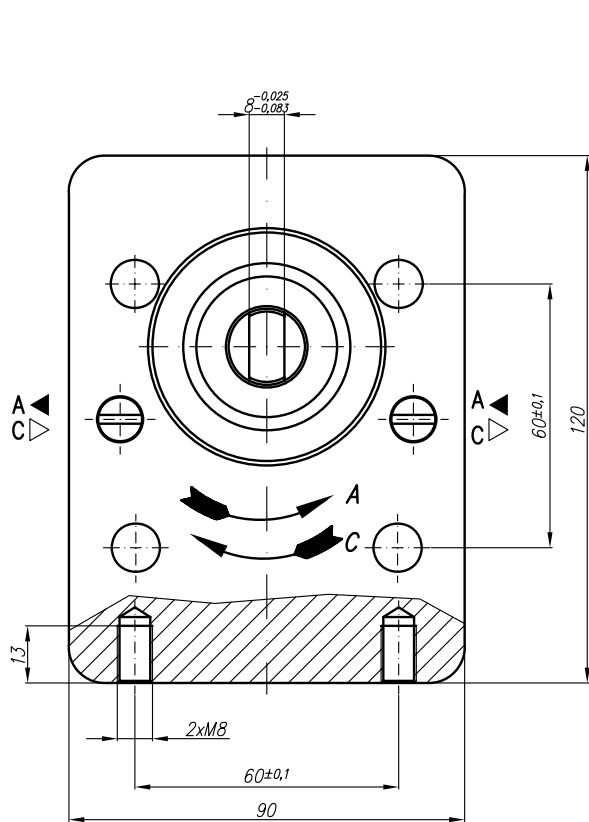


Type	Displacement cm <sup>3</sup> /rev	Flow		Pressure P <sub>nom</sub> bar	max Speed n rpm	Dimension							
		at 1500 rpm l/min	at max rpm l/min			A mm	B mm	Inlet			Outlet		
								E	F	d	E	F	d
20A(C)4,5X187	4,5	6,14	14,33	250	3500	37,3	82,3	40	15	M6-6H	35	15	M6-6H
20A(C)6,3X187	6,3	8,69	20,29	250	3500	38,6	85,2						
20A(C)8,2X187	8,2	11,32	26,40	250	3500	40,6	85,2						
20A(C)10X187	10	13,95	32,55	250	3500	45	94,1						
20A(C)11X187	11,3	15,76	36,78	250	3500	45	96,2						
20A(C)12X187	12	16,92	39,48	250	3500	45	97,5						
20A(C)14X187	14	19,95	46,55	250	3500	45	100,6						
20A(C)15X187	15	21,60	36,00	250	2500	45	102,1						
20A(C)16X187	16	23,04	38,40	250	2500	45	103,8						
20A(C)19X187	19	27,36	45,60	200	2500	45	108,7						
20A(C)22X187	22	31,68	42,24	180	2000	52,5	113,7						
20A(C)25X187	25	36,00	48,00	160	2000	57,2	118,6						

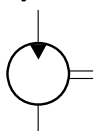




Designed as a special version motor-pump 22A(C)...X194/...X195.



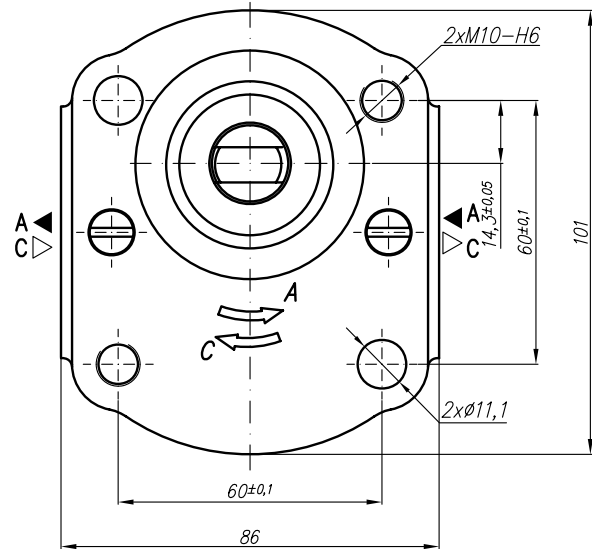
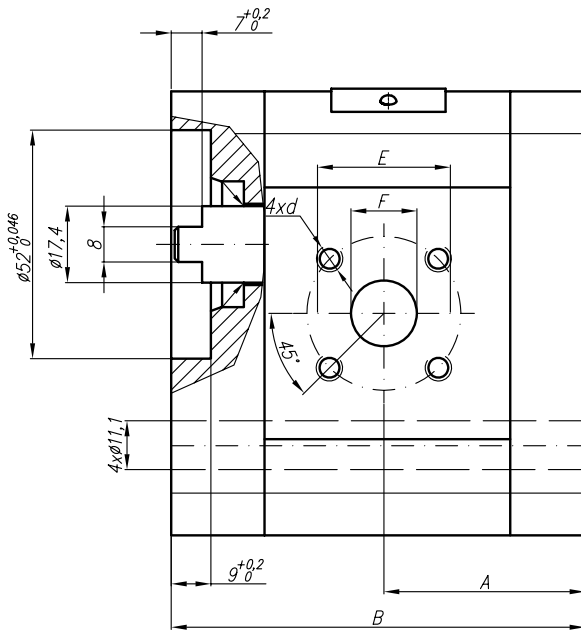
Symbol



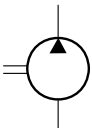
Type	Displacement cm <sup>3</sup> /rev	Flow		Pressure P <sub>nom</sub> bar	max Speed n rpm	Dimension							
		at 1500 rpm l/min	at max rpm l/min			A mm	B mm	Inlet			Outlet		
								E	F	d	E	F	d
20A(C)4,5X194	4,5	6,14	14,33	250	3500	37,3	78	40	15	M6-6H	35	15	M6-6H
20A(C)6,3X194	6,3	8,69	20,29	250	3500	38,6	81						
20A(C)8,2X194	8,2	11,32	26,40	250	3500	40,6	83,9						
20A(C)10X194	10	13,95	32,55	250	3500	45	87						
20A(C)11X194	11,3	15,76	36,78	250	3500	45	89,1						
20A(C)12X194	12	16,92	39,48	250	3500	45	90,3						
20A(C)14X194	14	19,95	46,55	250	3500	45	93,4						
20A(C)15X194	15	21,60	36,00	250	2500	45	94,9						
20A(C)16X194	16	23,04	38,40	250	2500	45	96,5						
20A(C)19X194	19	27,36	45,60	200	2500	45	101,5						
20A(C)22X194	22	31,68	42,24	180	2000	52,5	106,5						
20A(C)25X194	25	36,00	48,00	160	2000	54,7	111,4						



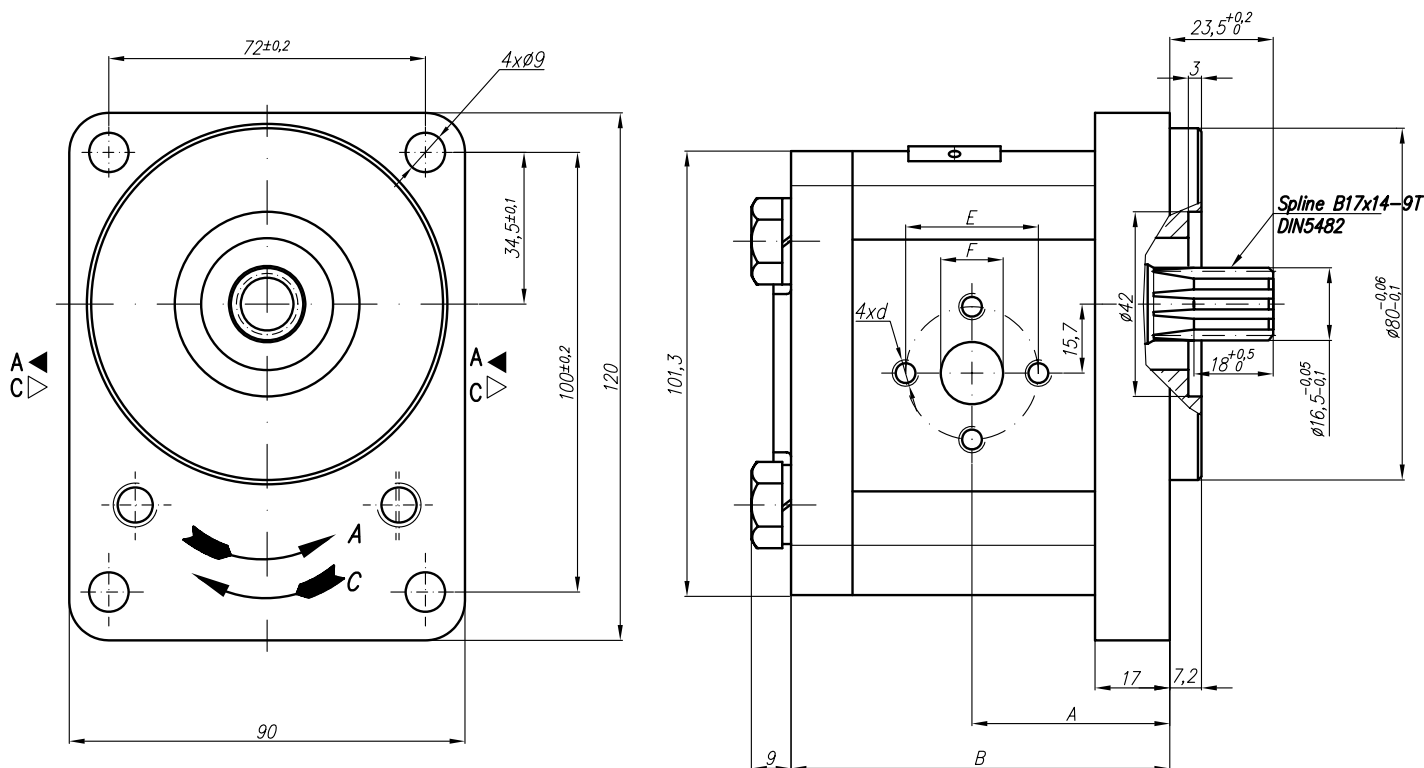
Designed as a special version motor-pump 22A(C)...X194/...X195.



Symbol

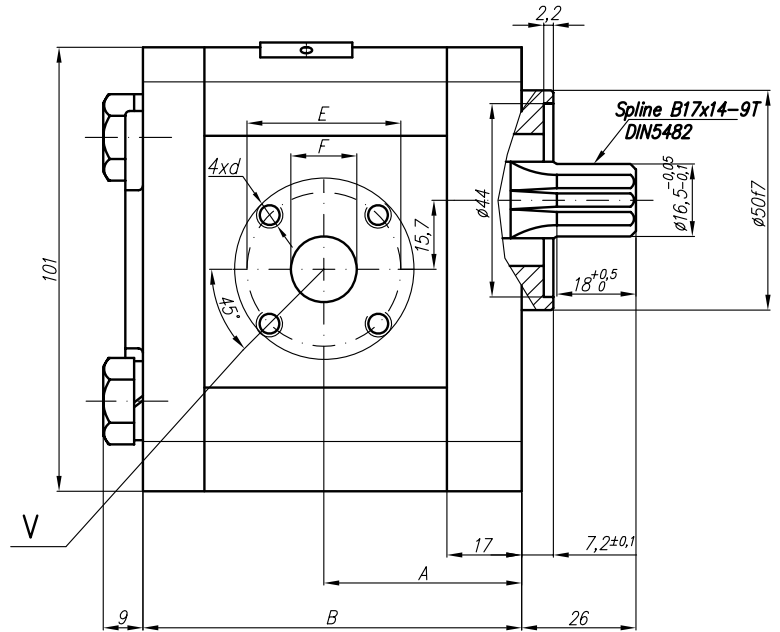
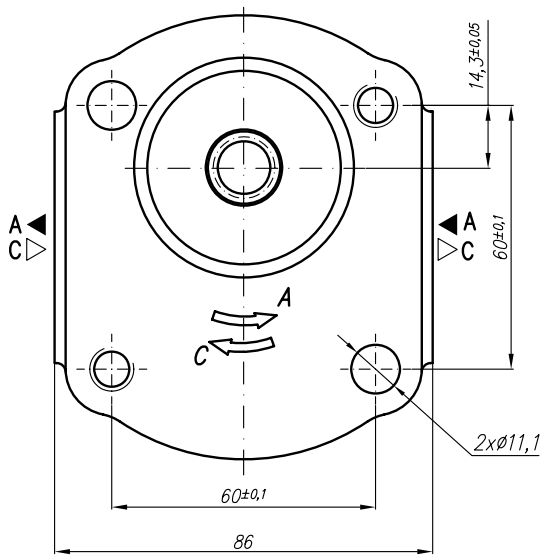


Type	Displacement cm <sup>3</sup> /rev	Flow		Pressure P <sub>nom</sub> bar	max Speed n rpm	Dimension								
		at 1500 rpm l/min	at max rpm l/min			A mm	B mm	Inlet			Outlet			
						E	F	d	E	F	d			
20A(C)4,5X195	4,5	6,14	14,33	250	3500	37,3	85,2	40	15	M6-6H	35	15	M6-6H	
20A(C)6,3X195	6,3	8,69	20,29	250	3500	38,6	88,2							
20A(C)8,2X195	8,2	11,32	26,40	250	3500	40,6	91,1							
20A(C)10X195	10	13,95	32,55	250	3500	45	94,1		20					
20A(C)11X195	11,3	15,76	36,78	250	3500	45	96,2							
20A(C)12X195	12	16,92	39,48	250	3500	45	97,5							
20A(C)14X195	14	19,95	46,55	250	3500	45	100,6							
20A(C)15X195	15	21,60	36,00	250	2500	45	102,1							
20A(C)16X195	16	23,04	38,40	250	2500	45	103,8							
20A(C)19X195	19	27,36	45,60	200	2500	45	108,7							
20A(C)22X195	22	31,68	42,24	180	2000	52,5	113,7							
20A(C)25X195	25	36,00	48,00	160	2000	54,7	118,5							



Type	Displacement cm <sup>3</sup> /rev	Flow		Pressure P <sub>nom</sub> bar	max Speed n rpm	Dimension							
		at 1500 rpm l/min	at max rpm l/min			Inlet			Outlet				
						A mm	B mm	E mm	F mm	d mm	E mm	F mm	d mm
20A(C)4,5X196	4,5	6,14	14,33	250	3500	39,8	78	30,2	13,1	M6-6H	30,2	13,1	M6-6H
20A(C)6,3X196	6,3	8,69	20,29	250	3500	41	81						
20A(C)8,2X196	8,2	11,32	26,40	250	3500	43,1	83,9	39,7	19	M8-6H	30,2	14,2	M6-6H
20A(C)10X196	10	13,95	32,55	250	3500	47,5	87						
20A(C)11X196	11,3	15,76	36,78	250	3500	47,5	89,1	39,7	19	M8-6H	30,2	14,2	M6-6H
20A(C)12X196	12	16,92	39,48	250	3500	47,5	90,3						
20A(C)14X196	14	19,95	46,55	250	3500	47,5	93,4	39,7	19	M8-6H	30,2	14,2	M6-6H
20A(C)15X196	15	21,60	36,00	250	2500	47,5	94,9						
20A(C)16X196	16	23,04	38,40	250	2500	47,5	96,6	39,7	19	M8-6H	30,2	14,2	M6-6H
20A(C)19X196	19	27,36	45,60	200	2500	47,5	101,5						
20A(C)22X196	22	31,68	42,24	180	2000	55	106,5	39,7	19	M8-6H	30,2	14,2	M6-6H
20A(C)25X196	25	36,00	48,00	160	2000	57,2	111,4						

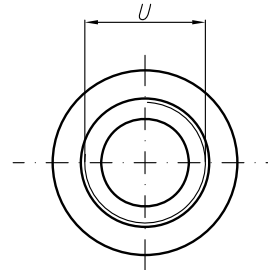
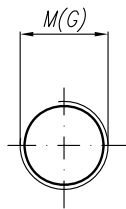




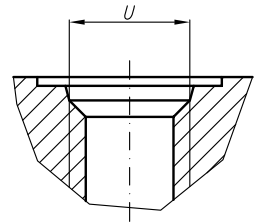
V  
Variants for ports – M;G;U

Designations:

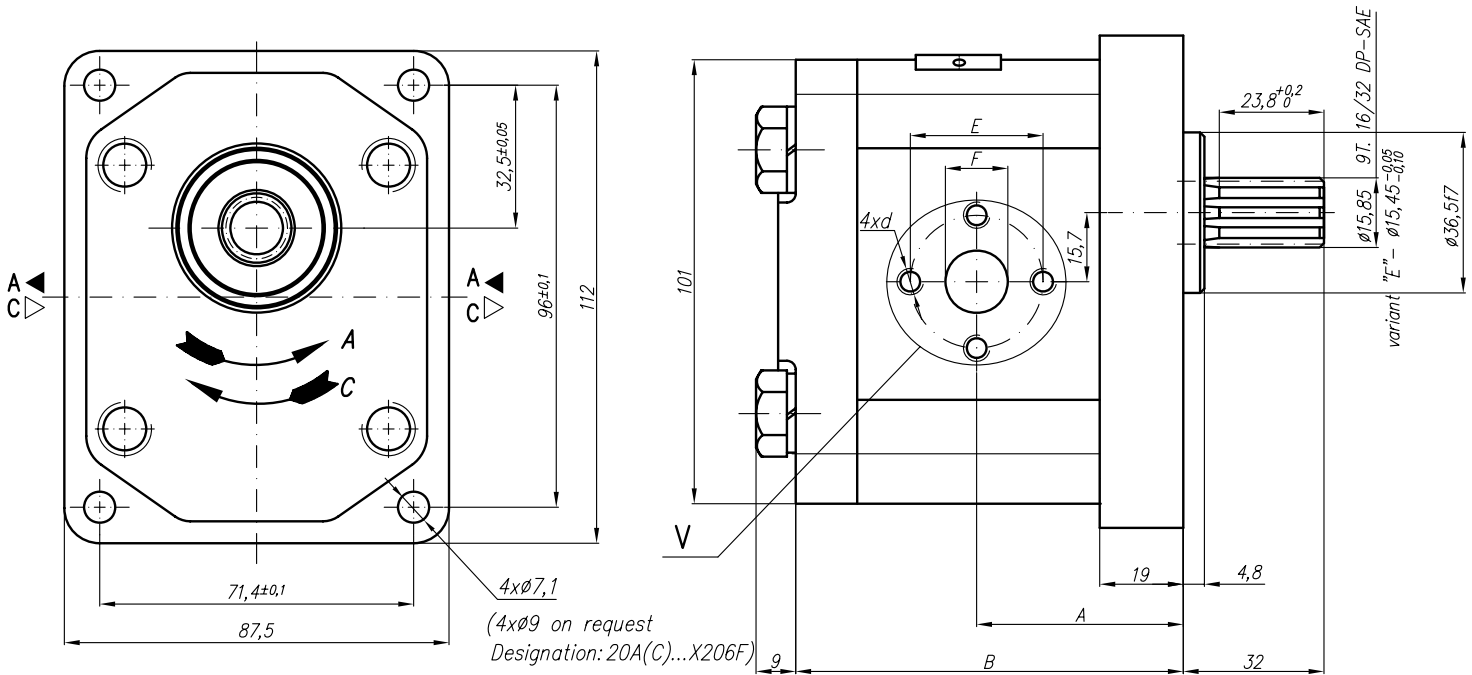
- ...X205 – Normal version (flanges);
- ...X205M – Metric threads;
- ...X205G – GAS threads;
- ...X205U – SAE threads;



SAE J475 (ISO R725)



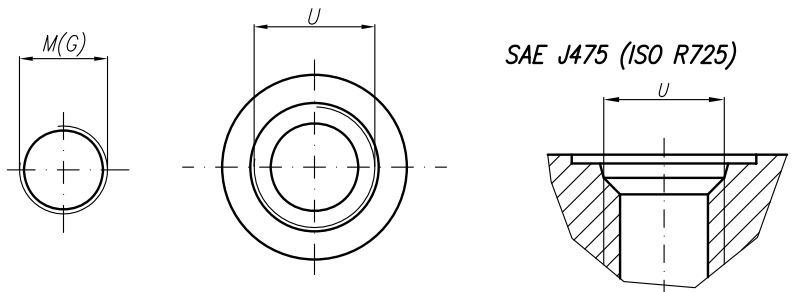
Type	Displacement cm <sup>3</sup> /rev	Flow		Pressure P <sub>nom</sub> bar	max Speed n rpm	Dimension														
		at 1500 rpm l/min	at max rpm l/min			Inlet						Outlet								
						A mm	B mm	E	F	d	M	G	U	E	F	d	M	G	U	
20A(C)4,5X205...	4,5	6,14	14,33	250	3500	37,3	75,1	40	15	M6-6H	M20x1,5	G1/2	1	1/16"-12UNF	35	15	M6-6H	M16x1,5	G1/2	7/8"-14UNF
20A(C)6,3X205...	6,3	8,69	20,29	250	3500	38,6	78													
20A(C)8,2X205...	8,2	11,32	26,40	250	3500	40,6	78													
20A(C)10X205...	10	13,95	32,55	250	3500	45	87													
20A(C)11X205...	11,3	15,76	36,78	250	3500	45	89,1													
20A(C)12X205...	12	16,92	39,48	250	3500	45	90,3													
20A(C)14X205...	14	19,95	46,55	250	3500	45	93,4													
20A(C)15X205...	15	21,60	36,00	250	2500	45	94,9													
20A(C)16X205...	16	23,04	38,40	250	2500	45	96,5													
20A(C)19X205...	19	27,36	45,60	200	2500	45	101,5													
20A(C)22X205...	22	31,68	42,24	180	2000	52,5	106,5													
20A(C)25X205...	25	36,00	48,00	160	2000	57,2	111,4													



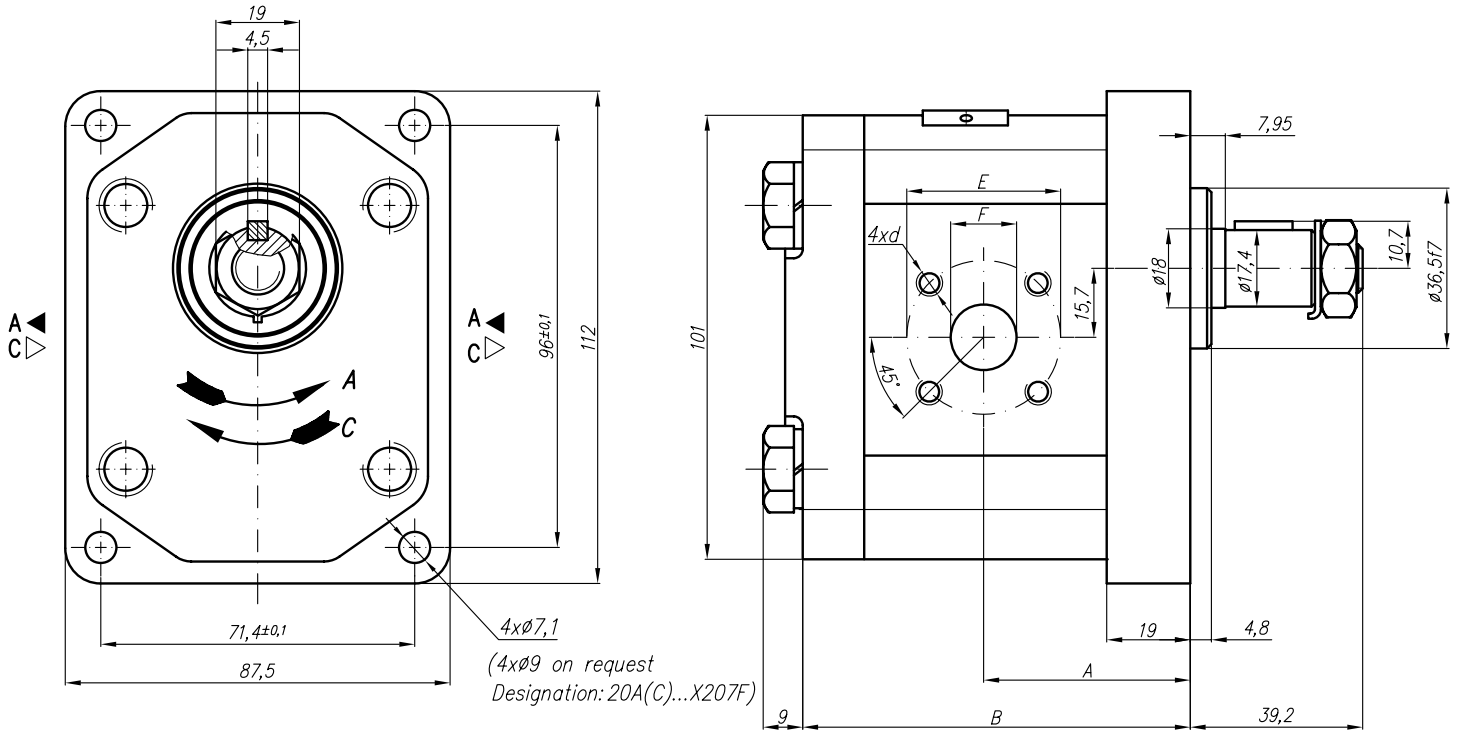
V  
Variants for ports – M;G;U

Designations:

- ...X206 – Normal version (flanges);
- ...X206M – Metric threads;
- ...X206G – GAS threads;
- ...X206U – SAE threads;

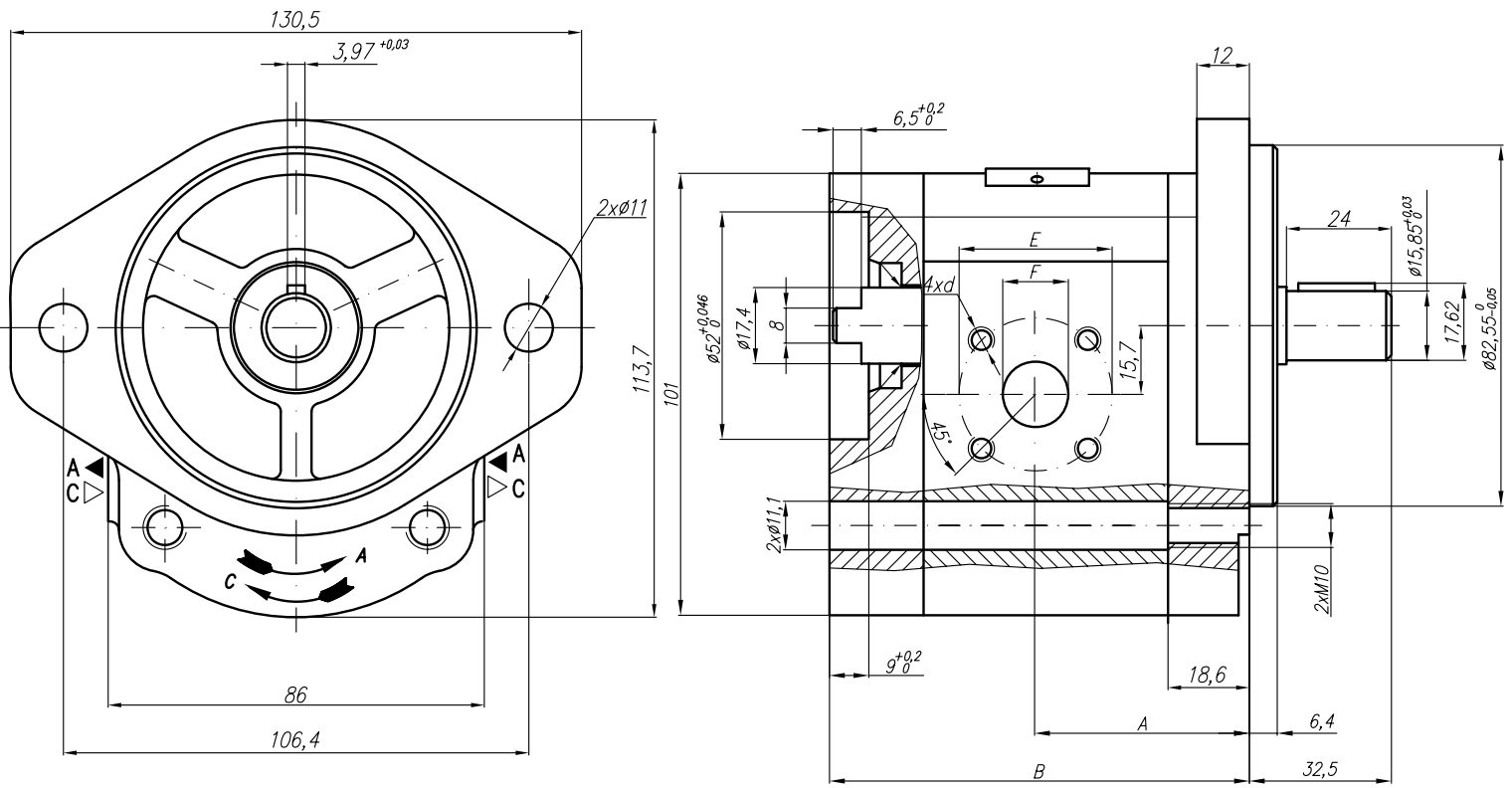


Type	Displacement cm <sup>3</sup> /rev	Flow		Pressure P <sub>nom</sub> bar	max Speed n rpm	Dimension											
		at 1500 rpm l/min	at max rpm l/min			A mm	B mm	Inlet					Outlet				
						E	F	d	M	G	U	E	F	d	M	G	U
20A(C)4,5X206...	4,5	6,14	14,33	250	3500	42,5	80										
20A(C)6,3X206...	6,3	8,69	20,29	250	3500	42,5	80	30,2	13,1	M6-6H	G1/2						
20A(C)8,2X206...	8,2	11,32	26,40	250	3500	42,5	80										
20A(C)10X206...	10	13,95	32,55	250	3500	47	89										
20A(C)11X206...	11,3	15,76	36,78	250	3500	48	91,1										
20A(C)12X206...	12	16,92	39,48	250	3500	48,6	92,3										
20A(C)14X206...	14	19,95	46,55	250	3500	50	95,4										
20A(C)15X206...	15	21,60	36,00	250	2500	51	96,9	39,7	19	M8-6H	G3/4						
20A(C)16X206...	16	23,04	38,40	250	2500	52	98,6										
20A(C)19X206...	19	27,36	45,60	200	2500	54	103,5										
20A(C)22X206...	22	31,68	42,24	180	2000	57	108,5										
20A(C)25X206...	25	36,00	48,00	160	2000	59,2	113,4					39,7	19	M8	M20x1,5	G1/2	7/8"-14UNF

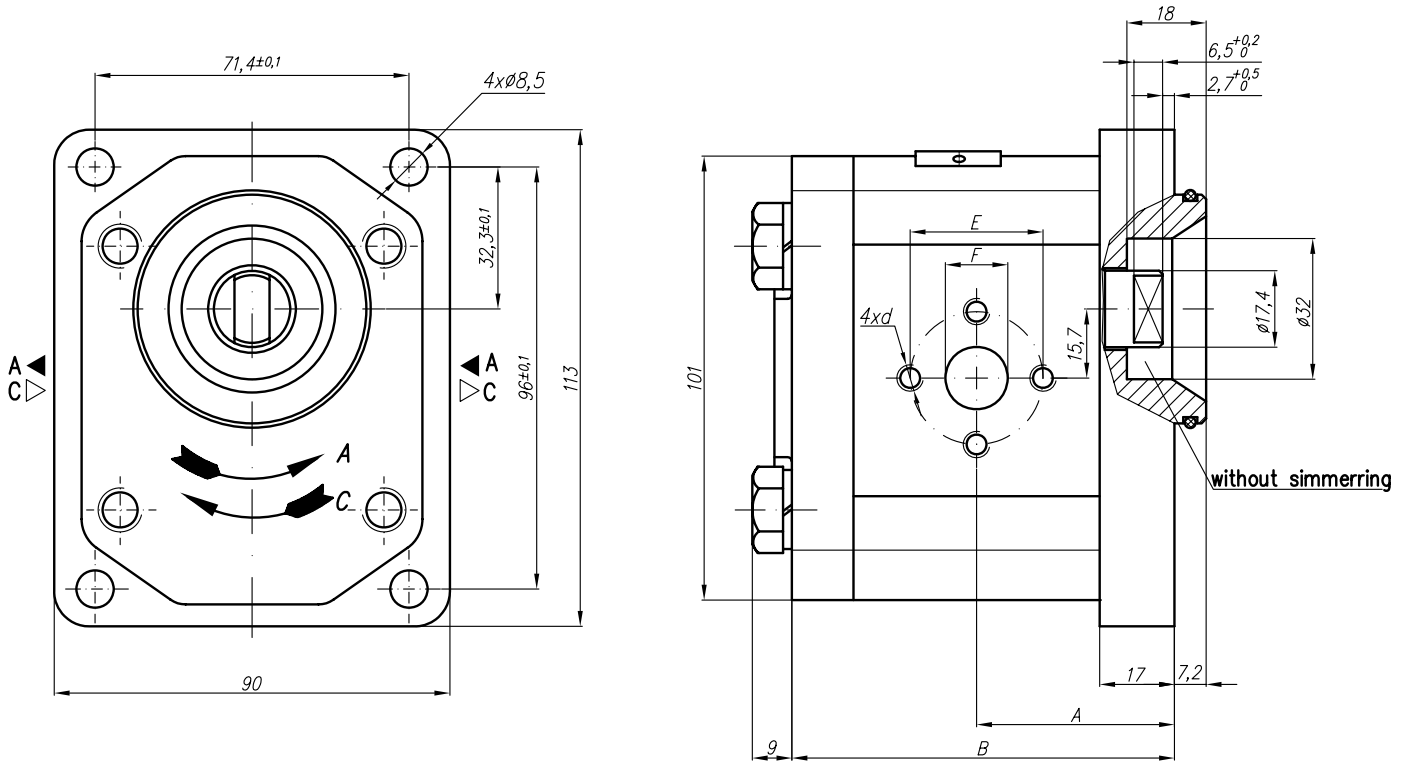


Type	Displacement cm <sup>3</sup> /rev	Flow		Pressure P <sub>nom</sub> bar	max Speed n rpm	Dimension							
		at 1500 rpm l/min	at max rpm l/min			Inlet			Outlet				
						A mm	B mm	E mm	F mm	d mm	E mm	F mm	d mm
20A(C)4,5X207	4,5	6,14	14,33	250	3500	42,5	80	30,2	13,1	1/4-20UNC		13,1	
20A(C)6,3X207	6,3	8,69	20,29	250	3500	42,5	80						
20A(C)8,2X207	8,2	11,32	26,40	250	3500	42,5	80						
20A(C)10X207	10	13,95	32,55	250	3500	47	89						
20A(C)11X207	11,3	15,76	36,78	250	3500	48	91,1						
20A(C)12X207	12	16,92	39,48	250	3500	48,6	92,3						
20A(C)14X207	14	19,95	46,55	250	3500	50	95,4						
20A(C)15X207	15	21,60	36,00	250	2500	51	96,9	39,7			30,2		
20A(C)16X207	16	23,04	38,40	250	2500	52	98,6						
20A(C)19X207	19	27,36	45,60	200	2500	54	103,5						
20A(C)22X207	22	31,68	42,24	180	2000	57	108,5						
20A(C)25X207	25	36,00	48,00	160	2000	59,2	113,4		19	5/16"-18UNC	39,7	19	5/16"



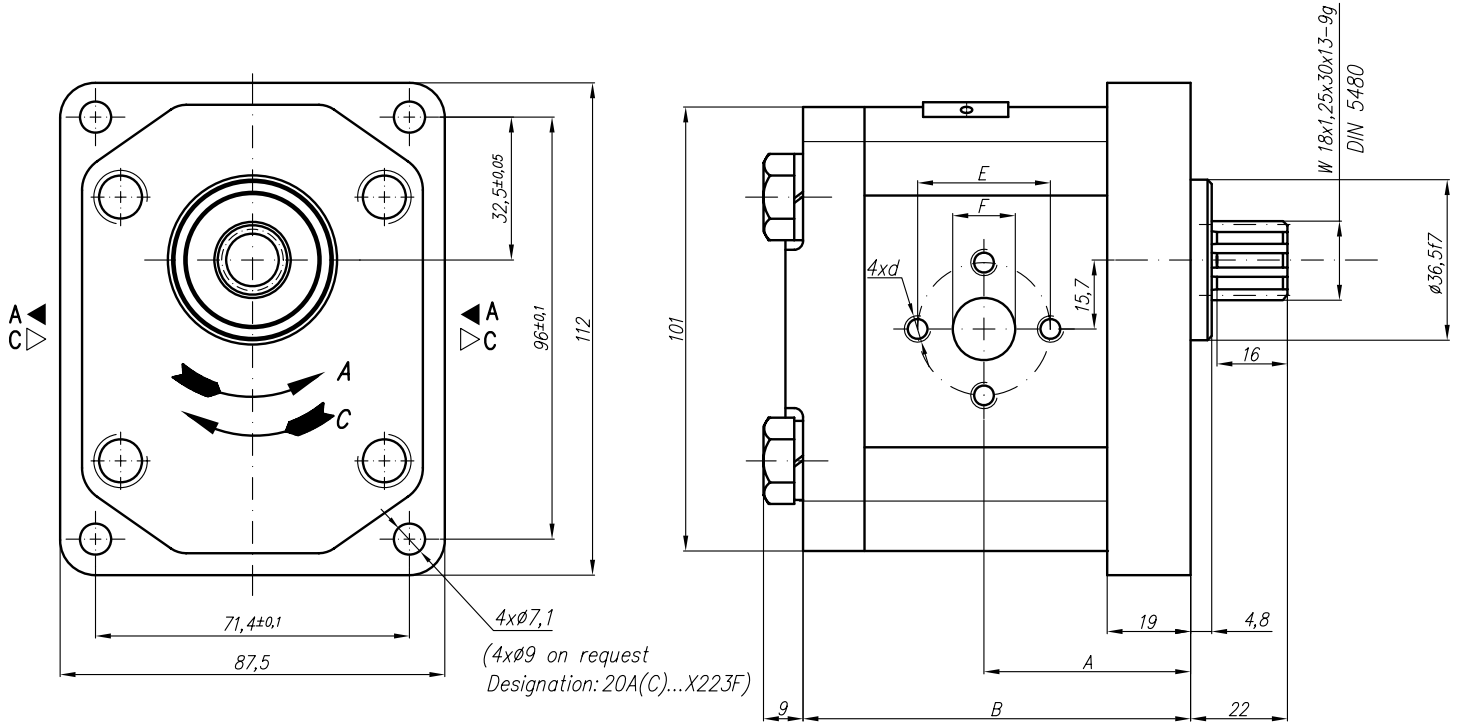


Type	Displacement cm <sup>3</sup> /rev	Flow		Pressure P <sub>nom</sub> bar	max Speed n rpm	Dimension								
		at 1500 rpm l/min	at max rpm l/min			A mm	B mm	Inlet			Outlet			
						E	F	d	E	F	d			
20A(C)4,5X210	4,5	6,14	14,33	250	3500	41,4	86,8	40	15	M6-6H	35	15	M6-6H	
20A(C)6,3X210	6,3	8,69	20,29	250	3500	42,6	89,8							
20A(C)8,2X210	8,2	11,32	26,40	250	3500	44,7	92,7							
20A(C)10X210	10	13,95	32,55	250	3500	49,1	95,7							
20A(C)11X210	11,3	15,76	36,78	250	3500	49,1	97,8							
20A(C)12X210	12	16,92	39,48	250	3500	49,1	99,1							
20A(C)14X210	14	19,95	46,55	250	3500	49,1	102,2							
20A(C)15X210	15	21,60	36,00	250	2500	49,1	103,7							
20A(C)16X210	16	23,04	38,40	250	2500	49,1	105,3							
20A(C)19X210	19	27,36	45,60	200	2500	49,1	110,3							
20A(C)22X210	22	31,68	42,24	180	2000	56,6	115,3							
20A(C)25X210	25	36,00	48,00	160	2000	58,8	120,2							



Type	Displacement cm <sup>3</sup> /rev	Flow		Pressure P <sub>nom</sub> bar	max Speed n rpm	Dimension								
		at 1500 rpm l/min	at max rpm l/min			A mm	B mm	Inlet			Outlet			
						E	F	d	E	F	d			
20A(C)4,5X218	4,5	6,14	14,33	250	3500	40,5	78	30,2	13,1	1/4"-20UNC	30,2	13,1	1/4"-20UNC	30,2
20A(C)6,3X218	6,3	8,69	20,29	250	3500	42	81							
20A(C)8,2X218	8,2	11,32	26,40	250	3500	43,5	83,9							
20A(C)10X218	10	13,95	32,55	250	3500	45	87	39,7	19	5/16"-18UNC	30,2	14,2	1/4"-20UNC	30,2
20A(C)11X218	11,3	15,76	36,78	250	3500	46	89,1							
20A(C)12X218	12	16,92	39,48	250	3500	46,6	90,3							
20A(C)14X218	14	19,95	46,55	250	3500	48	93,4	39,7	19	5/16"-18UNC	30,2	14,2	1/4"-20UNC	30,2
20A(C)15X218	15	21,60	36,00	250	2500	49	95							
20A(C)16X218	16	23,04	38,40	250	2500	50	96,6							
20A(C)19X218	19	27,36	45,60	200	2500	52	101,5	39,7	19	5/16"-18UNC	30,2	14,2	1/4"-20UNC	30,2
20A(C)22X218	22	31,68	42,24	180	2000	55	106,5							
20A(C)25X218	25	36,00	48,00	160	2000	57,2	111,4							



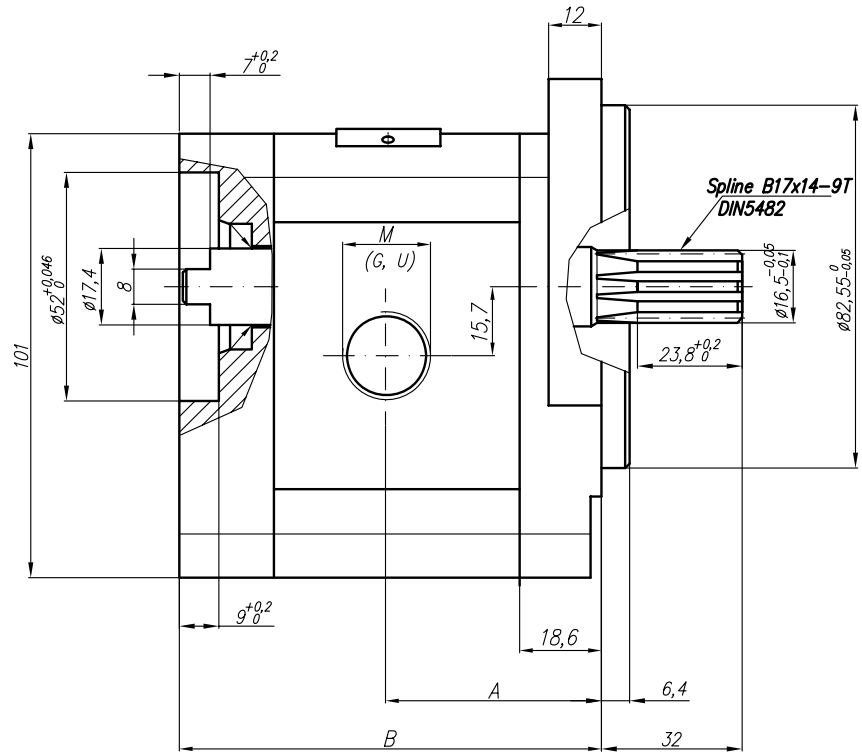
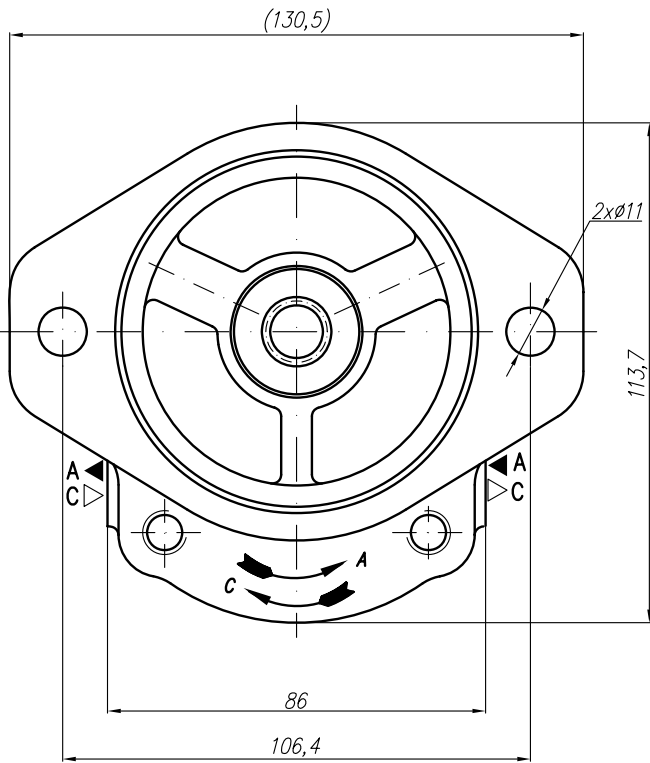


Type	Displacement cm <sup>3</sup> /rev	Flow		Pressure P <sub>nom</sub> bar	max Speed n rpm	Dimension							
		at 1500 rpm l/min	at max rpm l/min			A mm	B mm	Inlet			Outlet		
								E	F	d	E	F	d
20A(C)4,5X223	4,5	6,14	14,33	250	3500	42,5	80	30,2	13,1	M6-6H	30,2	13,1	M6-6H
20A(C)6,3X223	6,3	8,69	20,29	250	3500	42,5	80						
20A(C)8,2X223	8,2	11,32	26,40	250	3500	42,5	80						
20A(C)10X223	10	13,95	32,55	250	3500	47	89	39,7	19	M8-6H	30,2	14,2	M6-6H
20A(C)11X223	11,3	15,76	36,78	250	3500	48	91,1						
20A(C)12X223	12	16,92	39,48	250	3500	48,6	92,3						
20A(C)14X223	14	19,95	46,55	250	3500	50	95,4						
20A(C)15X223	15	21,60	36,00	250	2500	51	96,9						
20A(C)16X223	16	23,04	38,40	250	2500	52	98,6						
20A(C)19X223	19	27,36	45,60	200	2500	54	103,5	39,7	19	M8	39,7	19	M8
20A(C)22X223	22	31,68	42,24	180	2000	57	108,5						
20A(C)25X223	25	36,00	48,00	160	2000	59,2	113,4						

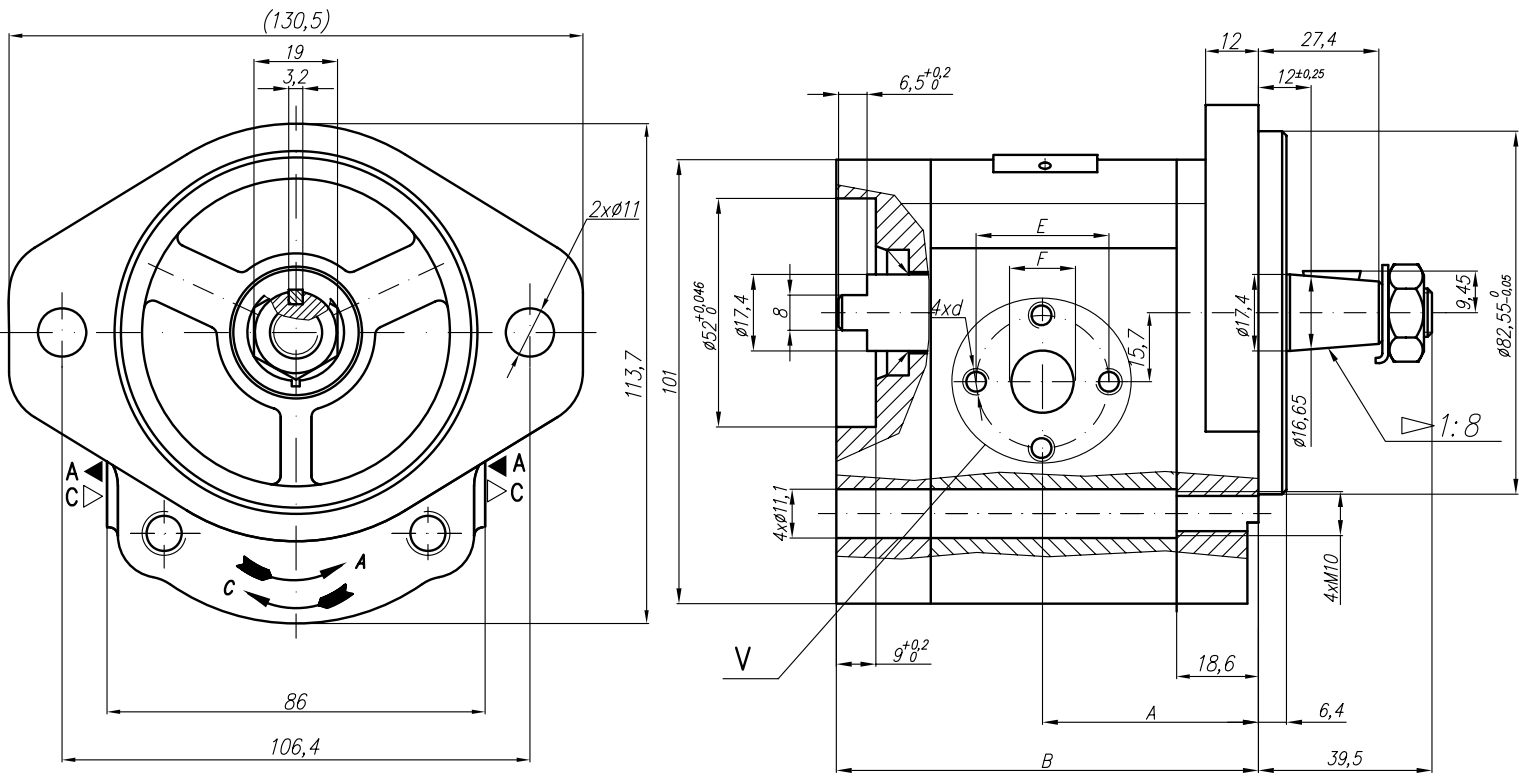








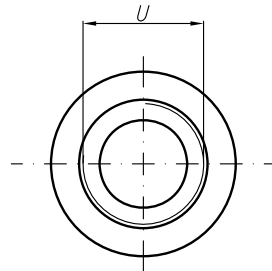
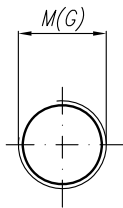
Type	Displacement cm <sup>3</sup> /rev	Flow		Pressure P <sub>nom</sub> bar	max Speed n rpm	Dimension							
		at 1500 rpm l/min	at max rpm l/min			A mm	B mm	Inlet			Outlet		
								M	G	U	M	G	U
20A(C)4,5X227...	4,5	6,14	14,33	250	3500	42,1	87,2	M20x1,5	G1/2				
20A(C)6,3X227...	6,3	8,69	20,29	250	3500	42,1	87,2						
20A(C)8,2X227...	8,2	11,32	26,40	250	3500	42,1	87,2						
20A(C)10X227...	10	13,95	32,55	250	3500	46,6	96,2		G3/4				
20A(C)11X227...	11,3	15,76	36,78	250	3500	47,6	98,3						
20A(C)12X227...	12	16,92	39,48	250	3500	48,2	99,5						
20A(C)14X227...	14	19,95	46,55	250	3500	49,8	102,5		G3/4				
20A(C)15X227...	15	21,60	36,00	250	2500	50,6	104,1						
20A(C)16X227...	16	23,04	38,40	250	2500	51,4	105,8						
20A(C)19X227...	19	27,36	45,60	200	2500	54	110,7		M20X1,5				
20A(C)22X227...	22	31,68	42,24	180	2000	56,5	115,7						
20A(C)25X227...	25	36,00	48,00	160	2000	58,8	120,6						



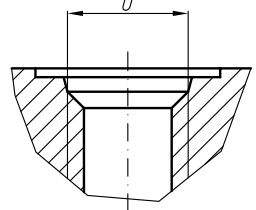
V  
Variants for ports – M;G;U

Designations:

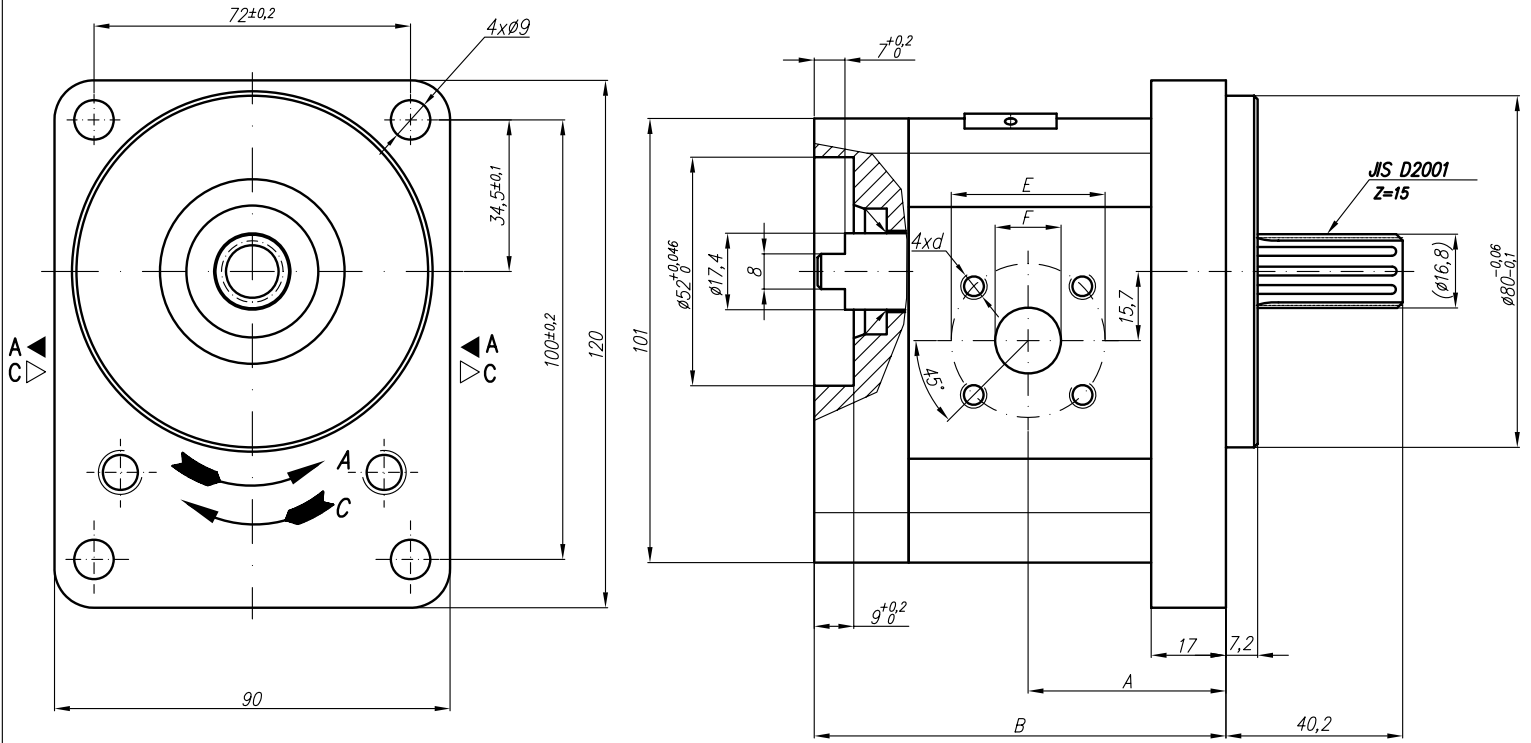
- ...X234 – Normal version (flanges);
- ...X234M – Metric threads;
- ...X234G – GAS threads;
- ...X234U – SAE threads;



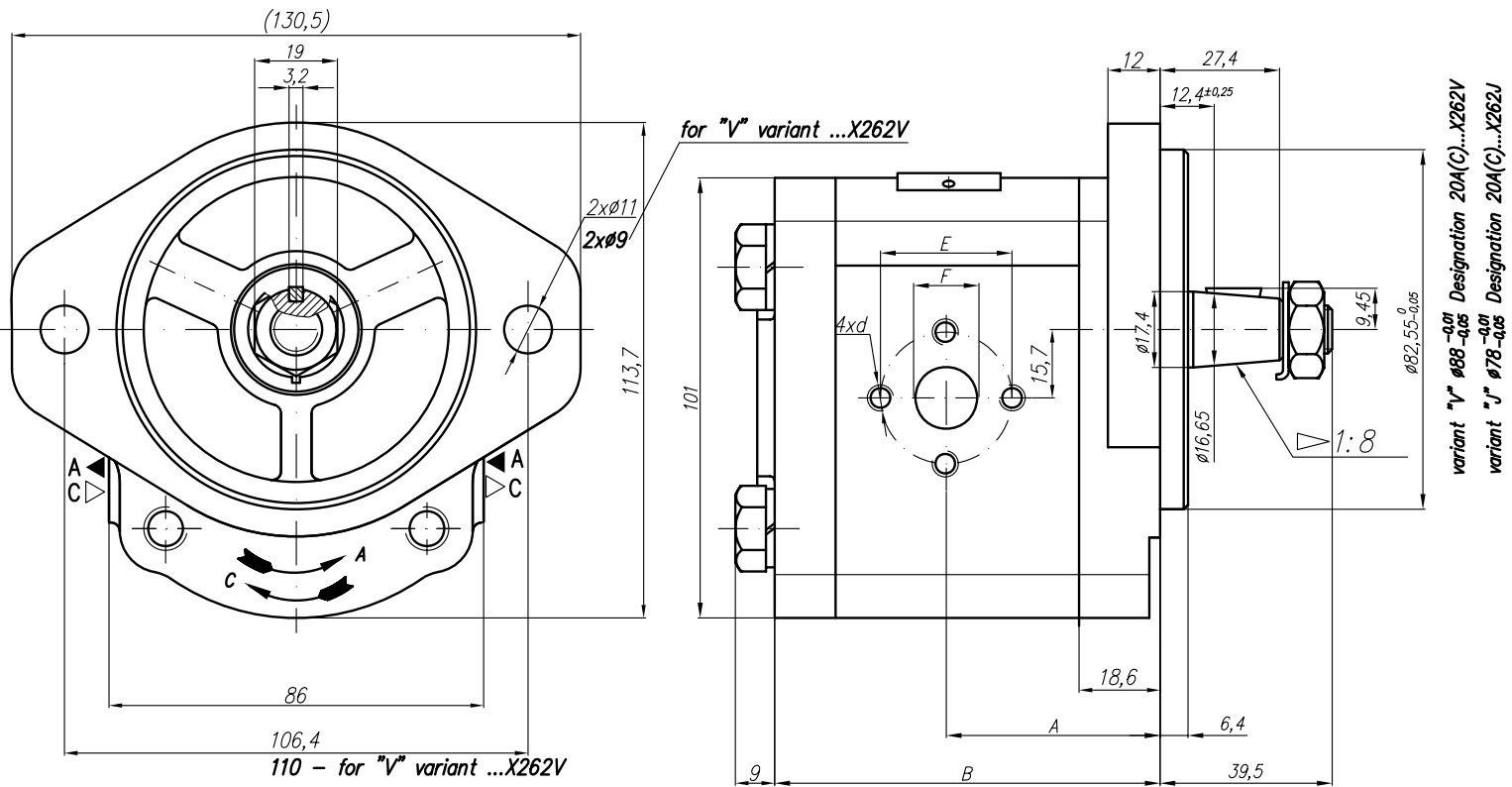
SAE J475 (ISO R725)



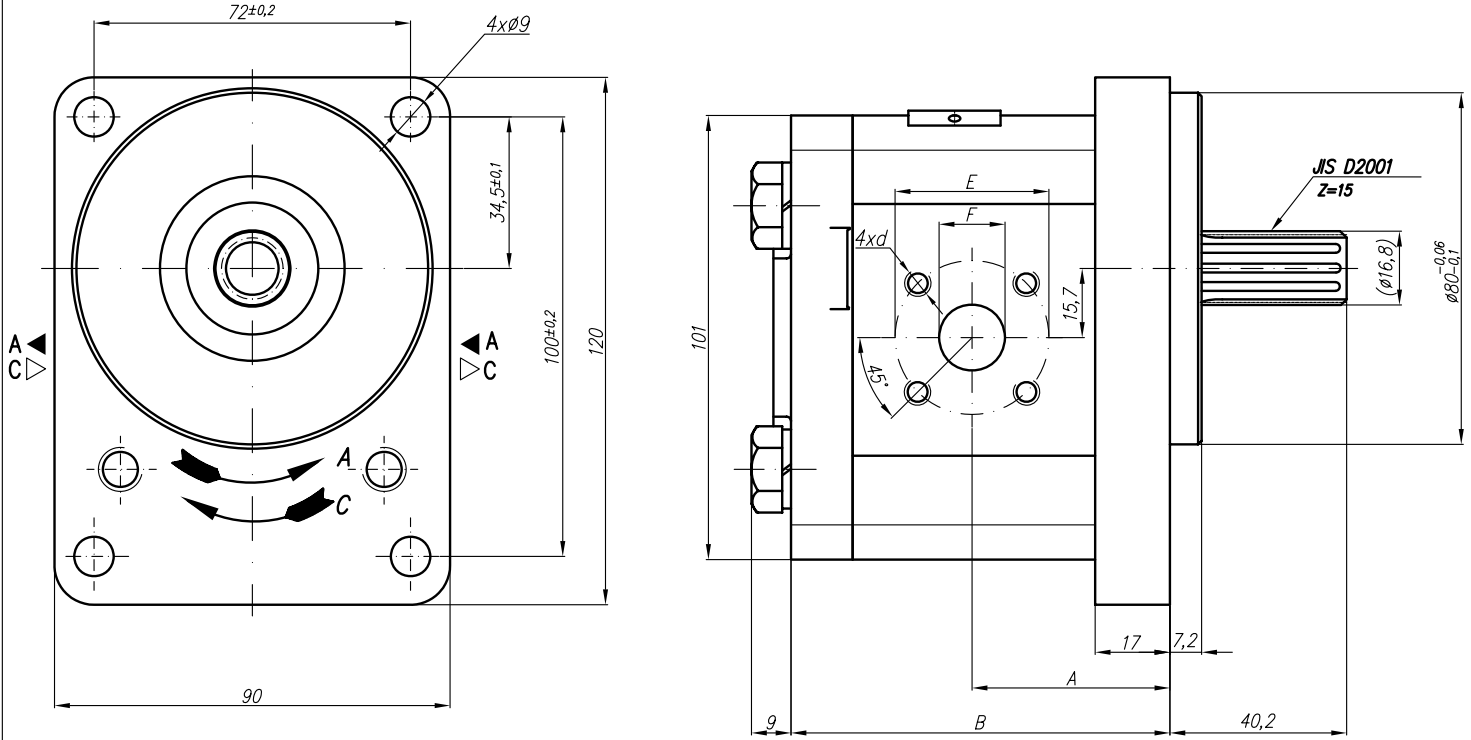
Type	Displacement cm <sup>3</sup> /rev	Flow		Pressure P <sub>nom</sub> bar	max Speed n rpm	Dimension											
		at 1500 rpm l/min	at max rpm l/min			A mm	B mm	Inlet						Outlet			
						E	F	d	M	G	U	E	F	d	M	G	U
20A(C)4,5X234...	4,5	6,14	14,33	250	3500	42,5	87,2										
20A(C)6,3X234...	6,3	8,69	20,29	250	3500	42,5	87,2	30,2	13,1	M6-6H	G1/2						
20A(C)8,2X234...	8,2	11,32	26,40	250	3500	42,5	87,2										
20A(C)10X234...	10	13,95	32,55	250	3500	47	96,2										
20A(C)11X234...	11,3	15,76	36,78	250	3500	48	98,3										
20A(C)12X234...	12	16,92	39,48	250	3500	48,6	99,5										
20A(C)14X234...	14	19,95	46,55	250	3500	50	102,5										
20A(C)15X234...	15	21,60	36,00	250	2500	51	104,1	39,7	19	M8-6H	G3/4						
20A(C)16X234...	16	23,04	38,40	250	2500	52	105,8										
20A(C)19X234...	19	27,36	45,60	200	2500	54	110,7										
20A(C)22X234...	22	31,68	42,24	180	2000	57	115,7										
20A(C)25X234...	25	36,00	48,00	160	2000	59,2	120,6										
												39,7	19	M8	M20x1,5	G1/2	7/8" -14UNF



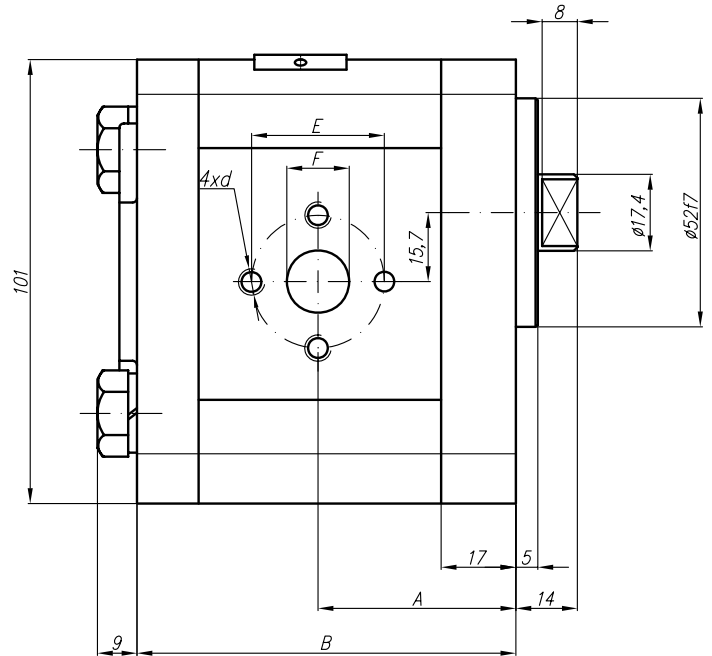
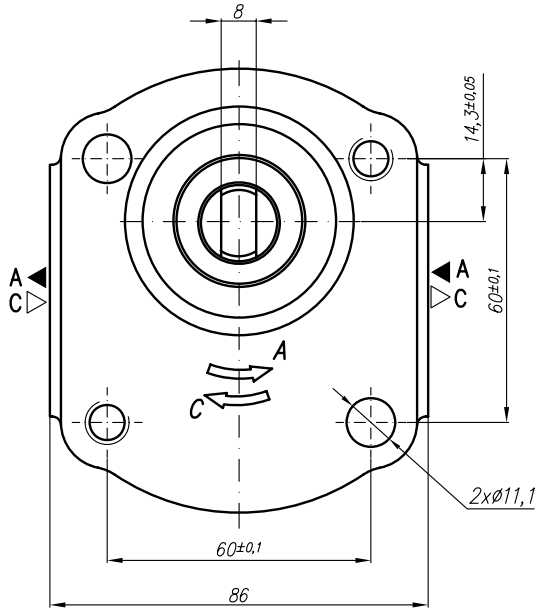
Type	Displacement cm <sup>3</sup> /rev	Flow		Pressure P <sub>nom</sub> bar	max Speed n rpm	Dimension								
		at 1500 rpm l/min	at max rpm l/min			A mm	B mm	Inlet			Outlet			
						E	F	d	E	F	d			
20A(C)4,5X259	4,5	6,14	14,33	250	3500	39,8	85,2	40	15	M6-6H	35	15	M6-6H	
20A(C)6,3X259	6,3	8,69	20,29	250	3500	41	88,2							
20A(C)8,2X259	8,2	11,32	26,40	250	3500	43,1	91,1							
20A(C)10X259	10	13,95	32,55	250	3500	47,5	94,1							
20A(C)11X259	11,3	15,76	36,78	250	3500	47,5	96,2							
20A(C)12X259	12	16,92	39,48	250	3500	47,5	97,5							
20A(C)14X259	14	19,95	46,55	250	3500	47,5	100,6							
20A(C)15X259	15	21,60	36,00	250	2500	47,5	102,1							
20A(C)16X259	16	23,04	38,40	250	2500	47,5	103,8							
20A(C)19X259	19	27,36	45,60	200	2500	47,5	108,7							
20A(C)22X259	22	31,68	42,24	180	2000	55	113,7							
20A(C)25X259	25	36,00	48,00	160	2000	57,2	118,5							



Type	Displacement cm <sup>3</sup> /rev	Flow		Pressure P <sub>nom</sub> bar	max Speed n rpm	Dimension							
		at 1500 rpm l/min	at max rpm l/min			Inlet			Outlet				
						A mm	B mm	E mm	F mm	d mm	E mm	F mm	d mm
20A(C)4,5X262...	4,5	6,14	14,33	250	3500	42,5	80	30,2	13,1	M6-6H	30,2	13,1	M6-6H
20A(C)6,3X262...	6,3	8,69	20,29	250	3500	42,5	80						
20A(C)8,2X262...	8,2	11,32	26,40	250	3500	42,5	80						
20A(C)10X262...	10	13,95	32,55	250	3500	47	89						
20A(C)11X262...	11,3	15,76	36,78	250	3500	48	91,1						
20A(C)12X262...	12	16,92	39,48	250	3500	48,6	92,3						
20A(C)14X262...	14	19,95	46,55	250	3500	50	95,4						
20A(C)15X262...	15	21,60	36,00	250	2500	51	96,9						
20A(C)16X262...	16	23,04	38,40	250	2500	52	98,6						
20A(C)19X262...	19	27,36	45,60	200	2500	54	103,5						
20A(C)22X262...	22	31,68	42,24	180	2000	57	108,5						
20A(C)25X262...	25	36,00	48,00	160	2000	59,2	113,4	39,7	19	M8			
20A(C)14X262...H	14	20,16	47,04	250	3500	55,6	106,8	39,7	19	M8-6H	30,2	14,2	M6-6H
20A(C)15X262...H	15	21,60	43,20	250	3000	55,6	106,8						
20A(C)16X262...H	16	23,04	46,08	250	3000	56,5	108,4						
20A(C)17,3X262...H	17,3	24,91	49,82	230	3000	57,6	110,5						
20A(C)18,2X262...H	18,2	26,21	52,42	210	3000	58,4	112,1						
20A(C)19X262...H	19	27,36	54,72	200	3000	59	113,4						
20A(C)22X262...H	22	31,68	52,80	180	2500	61,5	118,4						
20A(C)25X262...H	25	36,00	60,00	160	2500	63,9	123,3						
20A(C)28X262...H	28	40,32	67,20	130	2500	66,4	128,1						
20A(C)32X262...H	32	46,08	61,44	120	2000	69,6	134,4						
20A(C)36X262...H	36	51,84	69,12	100	2000	72,8	141	39,7	19	M8-6H			



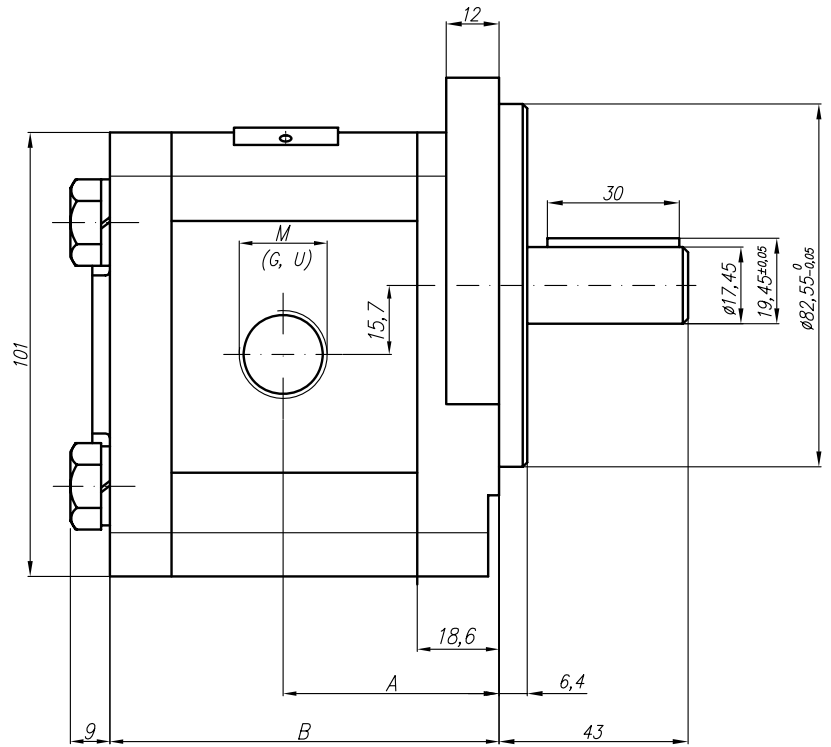
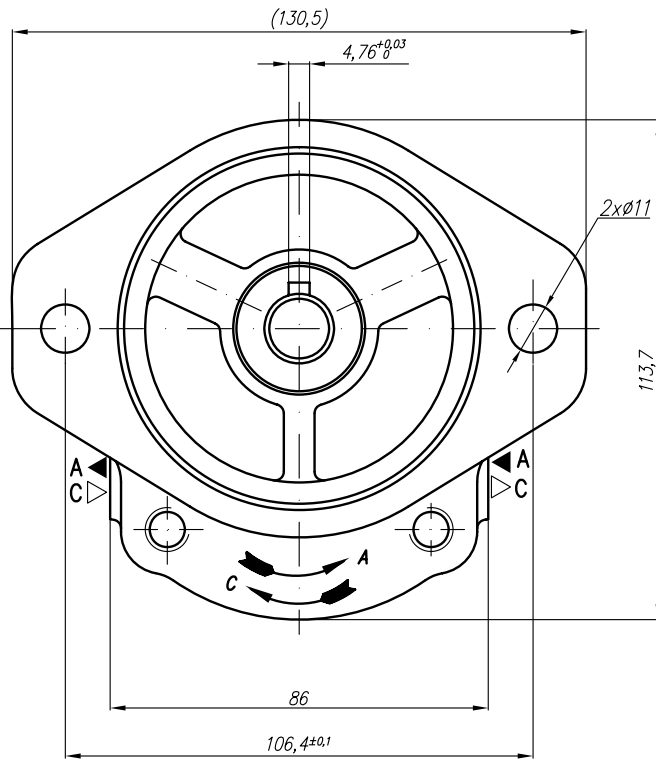
Type	Displacement cm <sup>3</sup> /rev	Flow		Pressure P <sub>nom</sub> bar	max Speed n rpm	Dimension							
		at 1500 rpm l/min	at max rpm l/min			Inlet			Outlet				
						A mm	B mm	E	F	d	E	F	d
20A(C)4,5X269	4,5	6,14	14,33	250	3500	39,8	78	40	15	M6-6H	35	15	M6-6H
20A(C)6,3X269	6,3	8,69	20,29	250	3500	41	81						
20A(C)8,2X269	8,2	11,32	26,40	250	3500	43,1	83,9						
20A(C)10X269	10	13,95	32,55	250	3500	47,5	87						
20A(C)11X269	11,3	15,76	36,78	250	3500	47,5	89,1						
20A(C)12X269	12	16,92	39,48	250	3500	47,5	90,3						
20A(C)14X269	14	19,95	46,55	250	3500	47,5	93,4						
20A(C)15X269	15	21,60	36,00	250	2500	47,5	95						
20A(C)16X269	16	23,04	38,40	250	2500	47,5	96,6						
20A(C)19X269	19	27,36	45,60	200	2500	47,5	101,5						
20A(C)22X269	22	31,68	42,24	180	2000	55	106,5						
20A(C)25X269	25	36,00	48,00	160	2000	57,2	111,4						



Type	Displacement cm <sup>3</sup> /rev	Flow		Pressure P <sub>nom</sub> bar	max Speed n rpm	Dimension							
		at 1500 rpm l/min	at max rpm l/min			A mm	B mm	Inlet			Outlet		
								E	F	d	E	F	d
20A(C)4,5X295	4,5	6,14	14,33	250	3500	40,5	78	30,2	13,1	M6-6H	30,2	13,1	M6-6H
20A(C)6,3X295	6,3	8,69	20,29	250	3500	42	81						
20A(C)8,2X295	8,2	11,32	26,40	250	3500	43,5	83,9						
20A(C)10X295	10	13,95	32,55	250	3500	45	87						
20A(C)11X295	11,3	15,76	36,78	250	3500	46	89,1						
20A(C)12X295	12	16,92	39,48	250	3500	46,6	90,3	39,7	19	M8-6H	30,2	14,2	M6-6H
20A(C)14X295	14	19,95	46,55	250	3500	48	93,4						
20A(C)15X295	15	21,60	36,00	250	2500	49	95						
20A(C)16X295	16	23,04	38,40	250	2500	50	96,6						
20A(C)19X295	19	27,36	45,60	200	2500	52	101,5						
20A(C)22X295	22	31,68	42,24	180	2000	55	106,5	39,7	19	M8	39,7	19	M8
20A(C)25X295	25	36,00	48,00	160	2000	57,2	111,4						





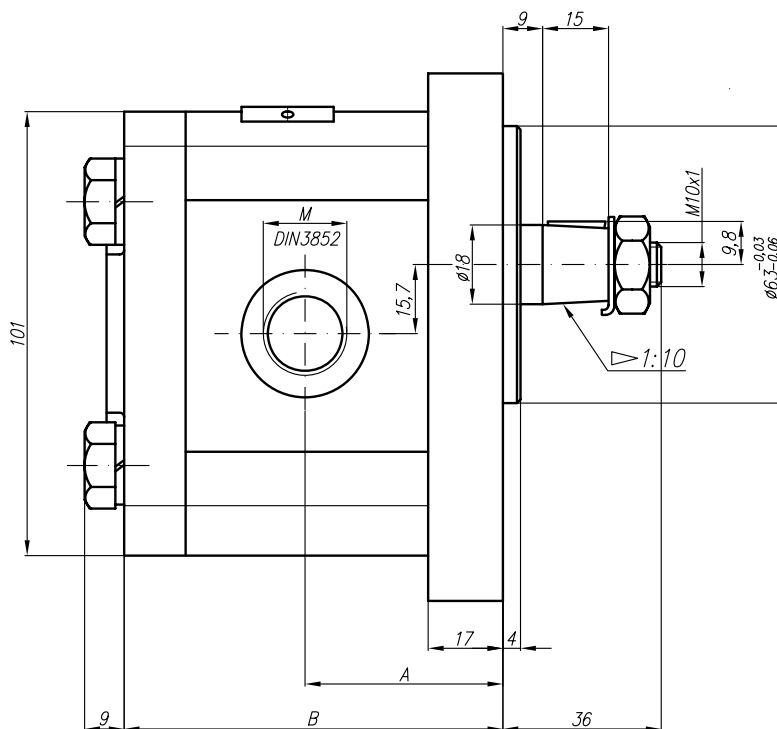
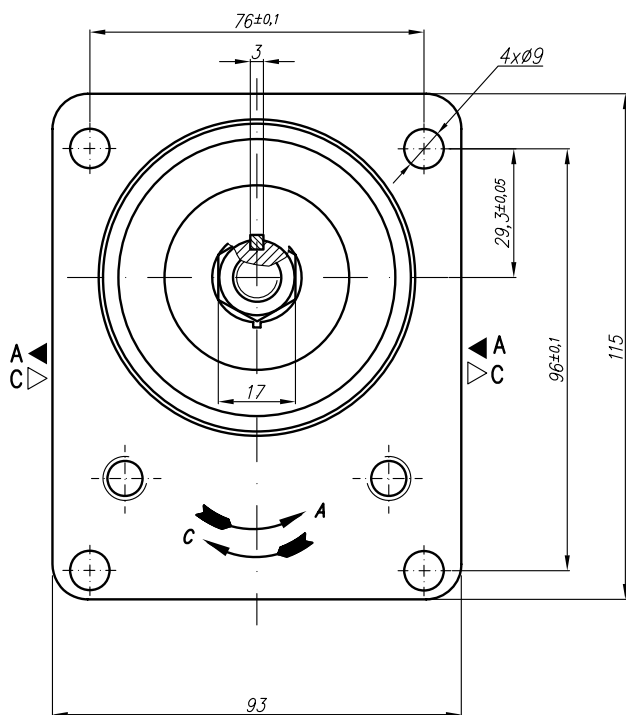


Type	Displacement cm <sup>3</sup> /rev	Flow		Pressure P <sub>nom</sub> bar	max Speed n rpm	Dimension													
		at 1500 rpm l/min	at max rpm l/min			Inlet			Outlet										
						A mm	B mm	M	G	U	M	G	U						
20A(C)4,5X301...	4,5	6,14	14,33	250	3500	41,4	79,6	M20x1,5	G1/2	1 1/16"-12UNF	M16x1,5	G1/2	7/8"-14UNF						
20A(C)6,3X301...	6,3	8,69	20,29	250	3500	42,6	82,6												
20A(C)8,2X301...	8,2	11,32	26,40	250	3500	44,7	85,5												
20A(C)10X301...	10	13,95	32,55	250	3500	49,1	88,6												
20A(C)11X301...	11,3	15,76	36,78	250	3500	49,1	90,7												
20A(C)12X301...	12	16,92	39,48	250	3500	49,1	91,9												
20A(C)14X301...	14	19,95	46,55	250	3500	49,1	95												
20A(C)15X301...	15	21,60	36,00	250	2500	49,1	96,5												
20A(C)16X301...	16	23,04	38,40	250	2500	49,1	98,2												
20A(C)19X301...	19	27,36	45,60	200	2500	49,1	103,1												
20A(C)22X301...	22	31,68	42,24	180	2000	56,6	108,1												
20A(C)25X301...	25	36,00	48,00	160	2000	58,8	113												
20A(C)14X301H...	14	20,16	47,04	250	3500	54,8	105,7		M20x1,5					G3/4	1 1/16"-12UNF	M16x1,5	G1/2	7/8"-14UNF	
20A(C)15X301H...	15	21,60	36,00	250	2500	55,6	106,8												
20A(C)16X301H...	16	23,04	38,40	250	2500	56,5	108,4												
20A(C)17,3X301H...	17,3	24,91	41,52	230	2500	57,6	110,5												
20A(C)18,2X301H...	18,2	26,21	43,68	200	2500	58,4	112,1												
20A(C)19X301H...	19	27,36	45,60	200	2500	59	113,4												
20A(C)22X301H...	22	31,68	42,24	180	2000	61,5	118,4												
20A(C)25X301H...	25	36,00	48,00	160	2000	63,9	123,3												
20A(C)28X301H...	28	40,32	53,76	120	2000	66,4	128,1												
20A(C)32X301H...	32	46,08	46,08	100	1500	69,6	134,4												
20A(C)36X301H...	36	51,84	51,84	80	1500	72,8	141												
								M27x2		G1	1 5/16"-12	M20x1,5	G3/4						1 1/16"-12



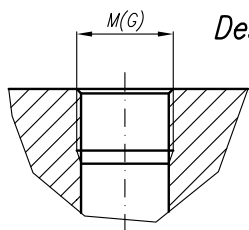


20A(C)...X145... – with standard threads M;G (see below)

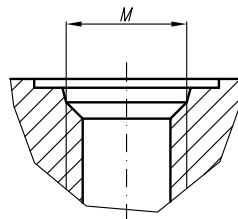


Possible variants with standard threads—M;G

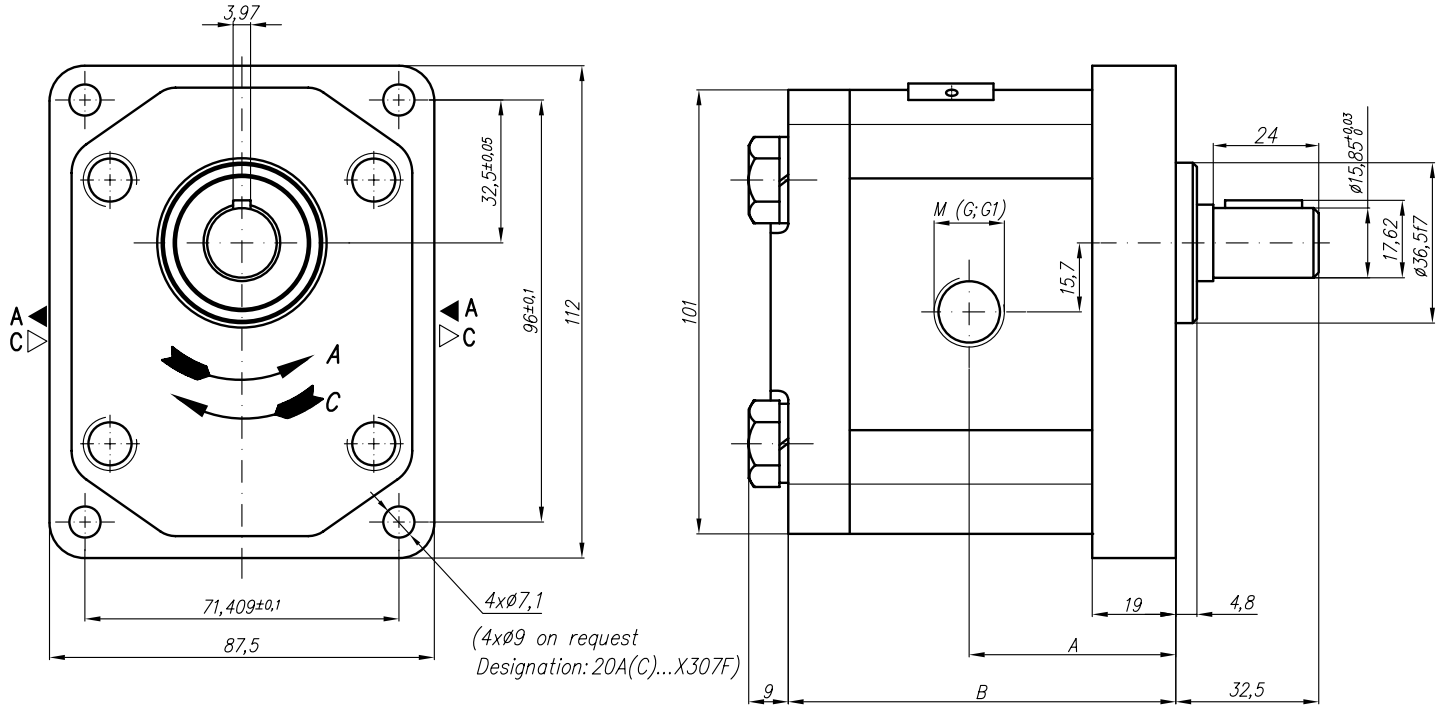
Normal version ports – M (DIN 3852)  
(with "O"-ring)



Designation 20A(C)...X145...



Type	Displacement cm <sup>3</sup> /rev	Flow		Pressure P <sub>nom</sub> bar	max Speed n rpm	Dimension							
		at 1500 rpm l/min	at max rpm l/min			A mm	B mm	Inlet			Outlet		
								M	G	U	M	G	U
20A(C)4,5X306	4,5	6,14	14,33	250	3500	42,5	80	M18x1,5	G1/2		M14x1,5		
20A(C)6,3X306	6,3	8,69	20,29	250	3500	42,5	80						
20A(C)8,2X306	8,2	11,32	26,40	250	3500	42,5	80	M22x1,5			M18x1,5		
20A(C)10X306	10	13,95	32,55	250	3500	47	89						
20A(C)11X306	11,3	15,76	36,78	250	3500	48,6	91,1	M27x2	G3/4		M18x1,5		G1/2
20A(C)12X306	12	16,92	39,48	250	3500	49	92,3						
20A(C)14X306	14	19,95	46,55	250	3500	49	95,4				M18x1,5		G1/2
20A(C)15X306	15	21,60	36,00	250	2500	49,5	96,9						
20A(C)16X306	16	23,04	38,40	250	2500	52	98,6				M18x1,5		G1/2
20A(C)19X306	19	27,36	45,60	200	2500	53	103,5						
20A(C)22X306	22	31,68	42,24	180	2000	57	108,5				M18x1,5		G1/2
20A(C)25X306	25	36,00	48,00	160	2000	59,2	113,4						

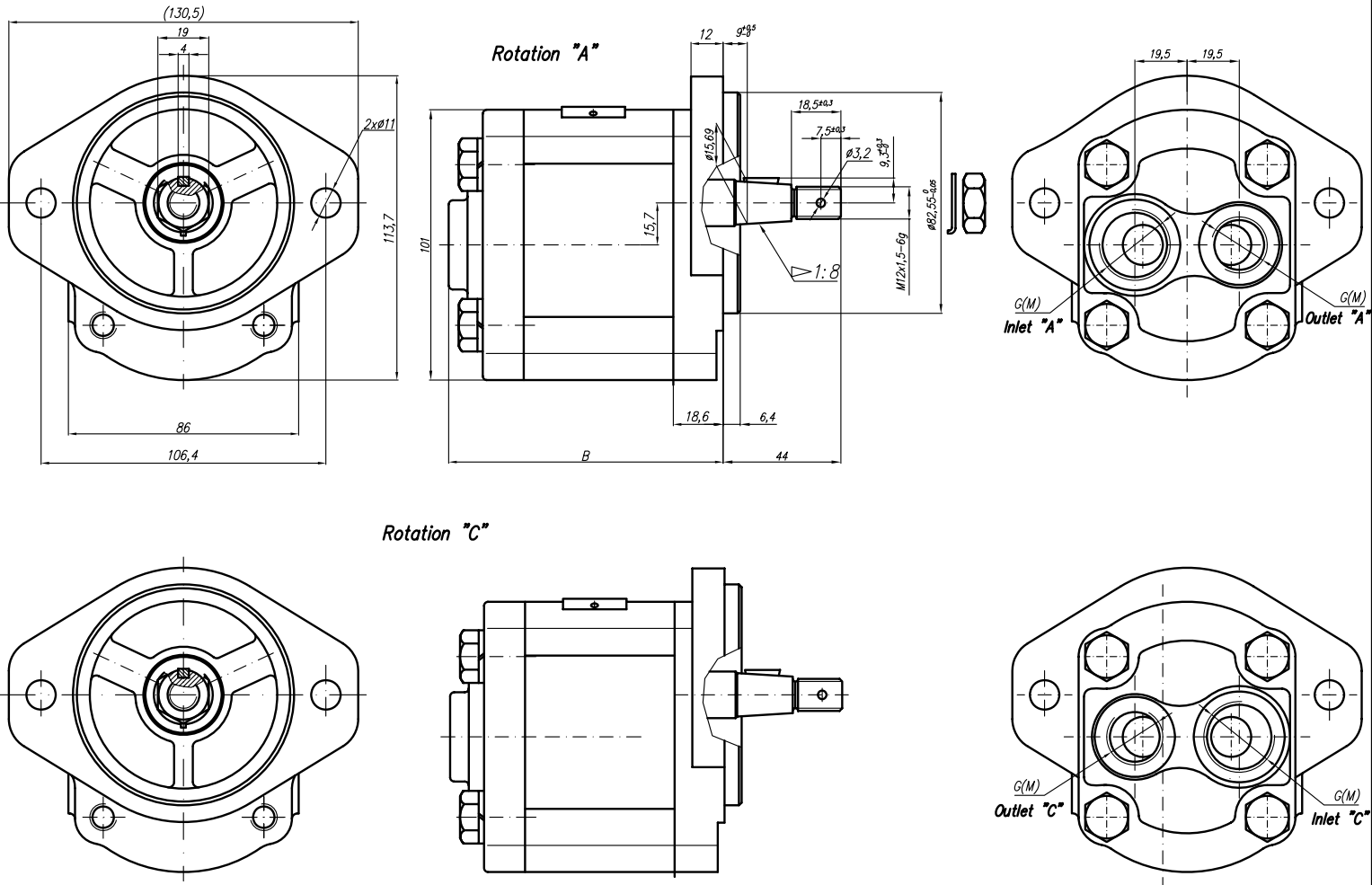


Type	Displacement cm <sup>3</sup> /rev	Flow		Pressure P <sub>nom</sub> bar	max Speed n rpm	Dimension							
		at 1500 rpm l/min	at max rpm l/min			A mm	B mm	Inlet			Outlet		
								M	G	G1	M	G	G1
20A(C)4,5X307...	4,5	6,14	14,33	250	3500								
20A(C)6,3X307...	6,3	8,69	20,29	250	3500				G1/2				
20A(C)8,2X307...	8,2	11,32	26,40	250	3500								
20A(C)10X307...	10	13,95	32,55	250	3500	47	89						
20A(C)11X307...	11,3	15,76	36,78	250	3500	48	91,1						
20A(C)12X307...	12	16,92	39,48	250	3500	48,6	92,3						
20A(C)14X307...	14	19,95	46,55	250	3500	50	95,4						
20A(C)15X307...	15	21,60	36,00	250	2500	51	96,9						
20A(C)16X307...	16	23,04	38,40	250	2500	52	98,6						
20A(C)19X307...	19	27,36	45,60	200	2500	54	103,5						
20A(C)22X307...	22	31,68	42,24	180	2000	57	108,5						
20A(C)25X307...	25	36,00	48,00	160	2000	59,2	113,4			G1	M20X1,5		G3/4

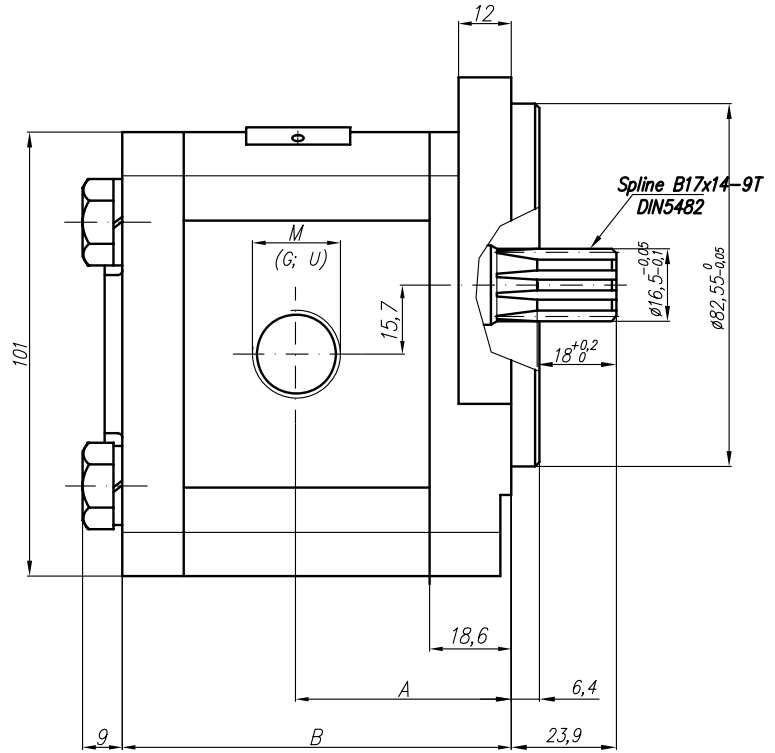
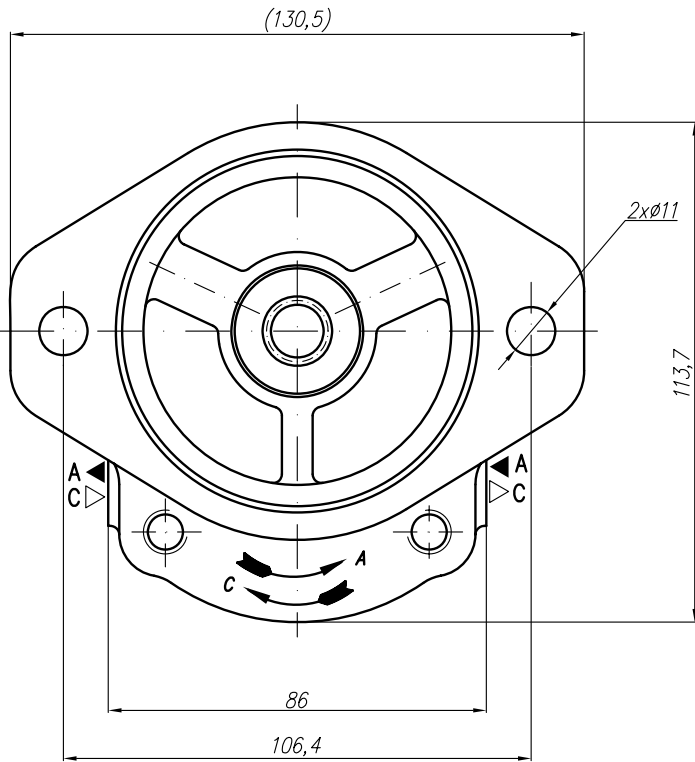








Type	Displacement cm <sup>3</sup> /rev	Flow		Pressure P <sub>nom</sub> bar	max Speed n rpm	Dimension							
		at 1500 rpm l/min	at max rpm l/min			A mm	B mm	Inlet			Outlet		
								M	G	G1	M	G	G1
20A(C)4,5X318W	4,5	6,14	14,33	250	3500		93,6	M27x1,5	G3/4				
20A(C)6,3X318W	6,3	8,69	20,29	250	3500		96,6						
20A(C)8,2X318W	8,2	11,32	26,40	250	3500		99,5						
20A(C)10X318W	10	13,95	32,55	250	3500		102,5						
20A(C)11X318W	11,3	15,76	36,78	250	3500		104,6						
20A(C)12X318W	12	16,92	39,48	250	3500		105,9						
20A(C)14X318W	14	19,95	46,55	250	3500		108,9						
20A(C)15X318W	15	21,60	36,00	250	2500		110,5						
20A(C)16X318W	16	23,04	38,40	250	2500		112,1						
20A(C)19X318W	19	27,36	45,60	200	2500		117,1						
20A(C)22X318W	22	31,68	42,24	180	2000		122,1						
20A(C)25X318W	25	36,00	48,00	160	2000		127						

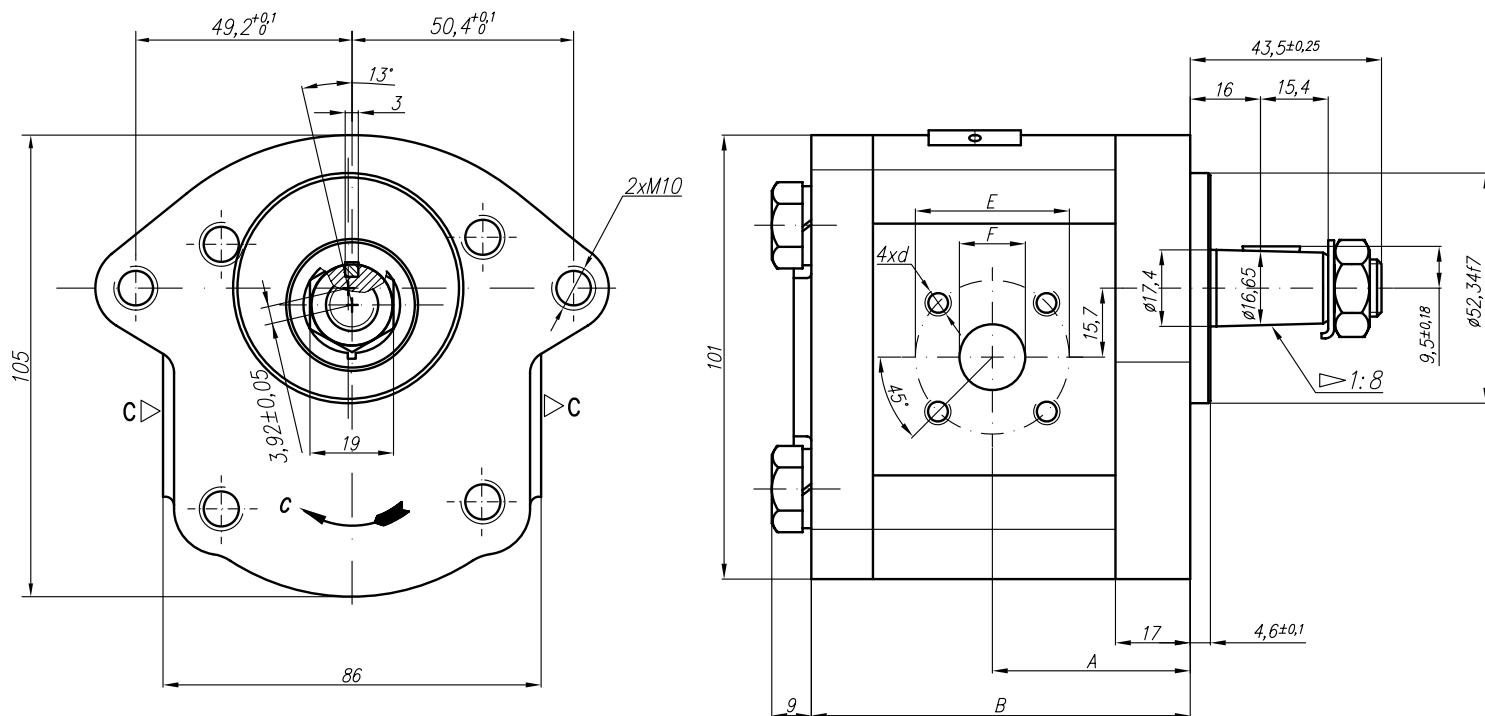


Type	Displacement cm <sup>3</sup> /rev	Flow		Pressure P <sub>nom</sub> bar	max Speed n rpm	Dimension							
		at 1500 rpm l/min	at max rpm l/min			A mm	B mm	Inlet			Outlet		
								M	G	U	M	G	U
20A(C)4,5X320...	4,5	6,14	14,33	250	3500	42	79,6	M20x1,5	G1/2	1 1/16"-12UNF	M16x1,5	G1/2	7/8"-14UNF
20A(C)6,3X320...	6,3	8,69	20,29	250	3500	43,6	82,6						
20A(C)8,2X320...	8,2	11,32	26,40	250	3500	45	85,6						
20A(C)10X320...	10	13,95	32,55	250	3500	46,6	88,7						
20A(C)11X320...	11,3	15,76	36,78	250	3500	47,6	90,7						
20A(C)12X320...	12	16,92	39,48	250	3500	48,2	91,9						
20A(C)14X320...	14	19,95	46,55	250	3500	49,6	95						
20A(C)15X320...	15	21,60	36,00	250	2500	50,6	96,5						
20A(C)16X320...	16	23,04	38,40	250	2500	51,6	98,2						
20A(C)19X320...	19	27,36	45,60	200	2500	53,6	103,1						
20A(C)22X320...	22	31,68	42,24	180	2000	56,6	108,1						
20A(C)25X320...	25	36,00	48,00	160	2000	58,8	113						

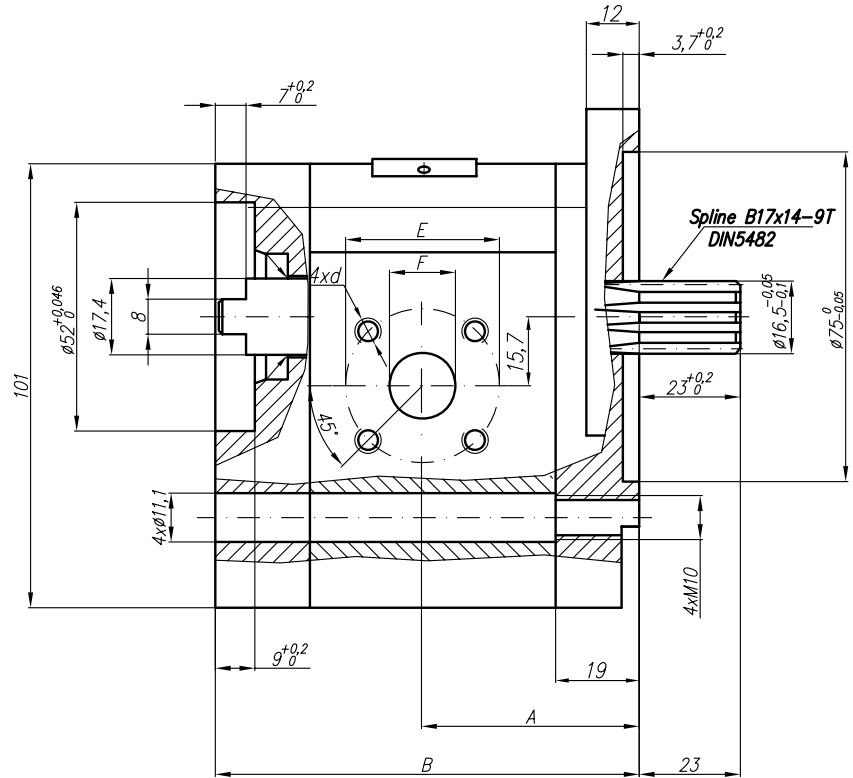
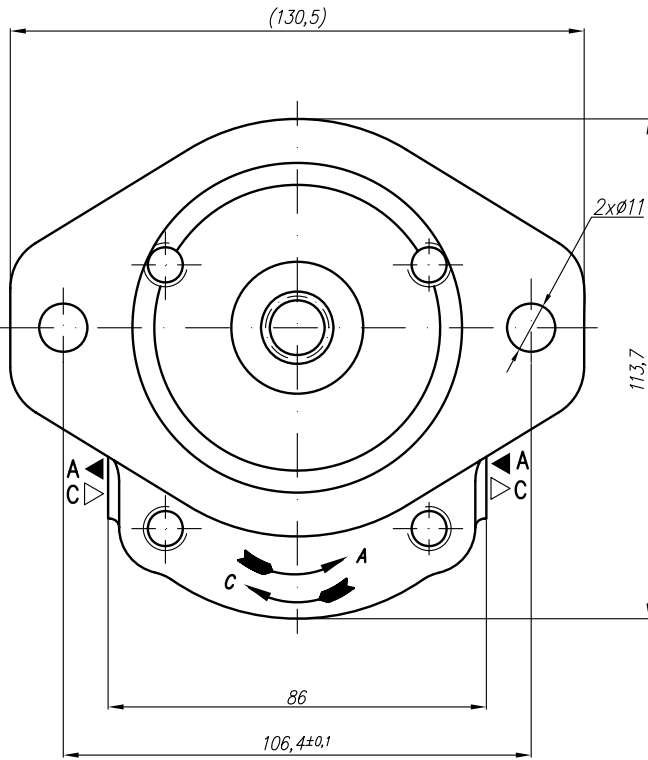






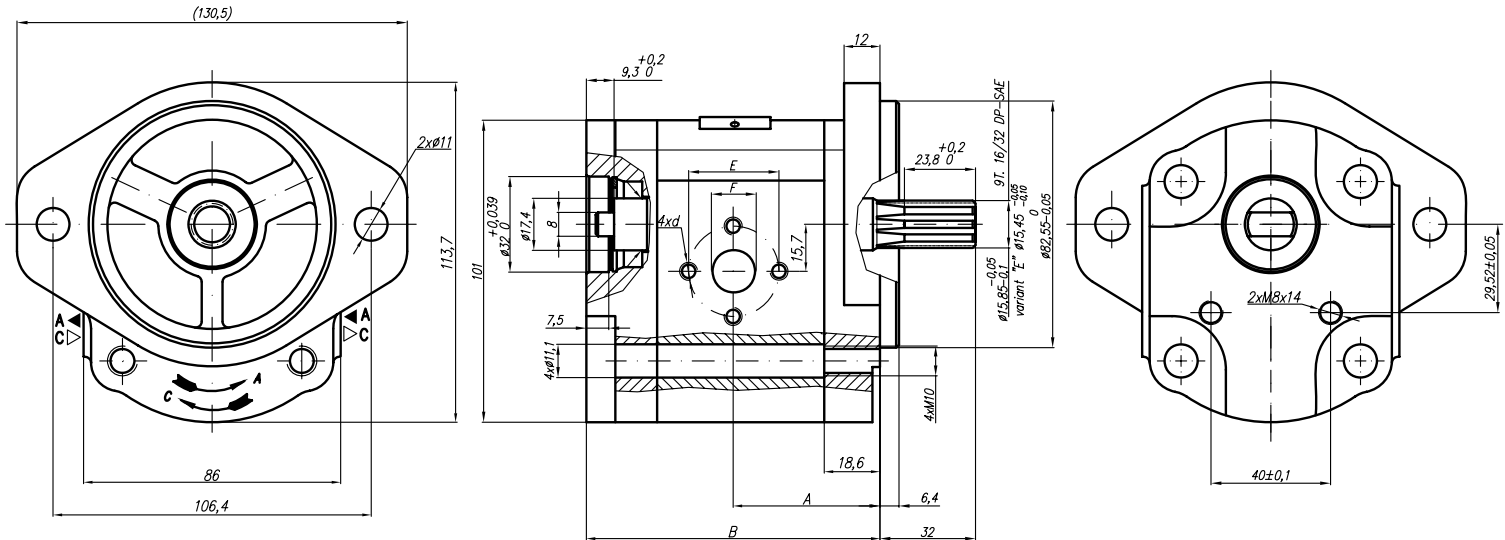


Type	Displacement cm <sup>3</sup> /rev	Flow		Pressure P <sub>nom</sub> bar	max Speed n rpm	Dimension							
		at 1500 rpm l/min	at max rpm l/min			A mm	B mm	Inlet			Outlet		
								E	F	d	E	F	d
20C4,5X328	4,5	6,14	14,33	250	3500			40	15	M6-6H	35	15	M6-6H
20C6,3X328	6,3	8,69	20,29	250	3500	42	81						
20C8,2X328	8,2	11,32	26,40	250	3500	43,5	83,9						
20C10X328	10	13,95	32,55	250	3500	45	87						
20C11X328	11,3	15,76	36,78	250	3500	46	89,1						
20C12X328	12	16,92	39,48	250	3500	46,6	90,3						
20C14X328	14	19,95	46,55	250	3500	48	93,4						
20C15X328	15	21,60	36,00	250	2500	49	95						
20C16X328	16	23,04	38,40	250	2500	50	96,6						
20C19X328	19	27,36	45,60	200	2500	52	101,5						
20C22X328	22	31,68	42,24	180	2000	55	106,5						
20C25X328	25	36,00	48,00	160	2000	57,2	111,4						



Type	Displacement cm <sup>3</sup> /rev	Flow		Pressure P <sub>nom</sub> bar	max Speed n rpm	Dimension								
		at 1500 rpm l/min	at max rpm l/min			A mm	B mm	Inlet			Outlet			
						E	F	d	E	F	d			
20A(C)4,5X341	4,5	6,14	14,33	250	3500	41,8	87,2	40	15	M6-6H	35	15	M6-6H	
20A(C)6,3X341	6,3	8,69	20,29	250	3500	43	90,2							
20A(C)8,2X341	8,2	11,32	26,40	250	3500	45,1	93,1							
20A(C)10X341	10	13,95	32,55	250	3500	49,5	96,2		20					
20A(C)11X341	11,3	15,76	36,78	250	3500	49,5	98,2							
20A(C)12X341	12	16,92	39,48	250	3500	49,5	99,5							
20A(C)14X341	14	19,95	46,55	250	3500	49,5	102,6		20					
20A(C)15X341	15	21,60	36,00	250	2500	49,5	104,1							
20A(C)16X341	16	23,04	38,40	250	2500	49,5	105,8							
20A(C)19X341	19	27,36	45,60	200	2500	49,5	110,7		20					
20A(C)22X341	22	31,68	42,24	180	2000	57	115,7							
20A(C)25X341	25	36,00	48,00	160	2000	59,2	120,6							

Designed as a first section of tandem pumps group 21A(C)...X347/... (lgroup/lgroup).

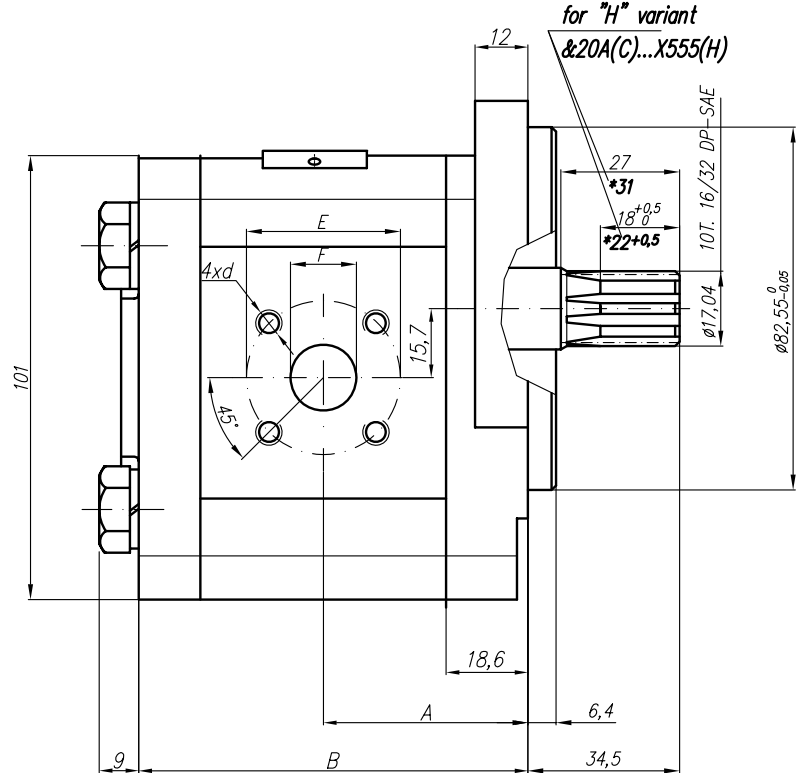
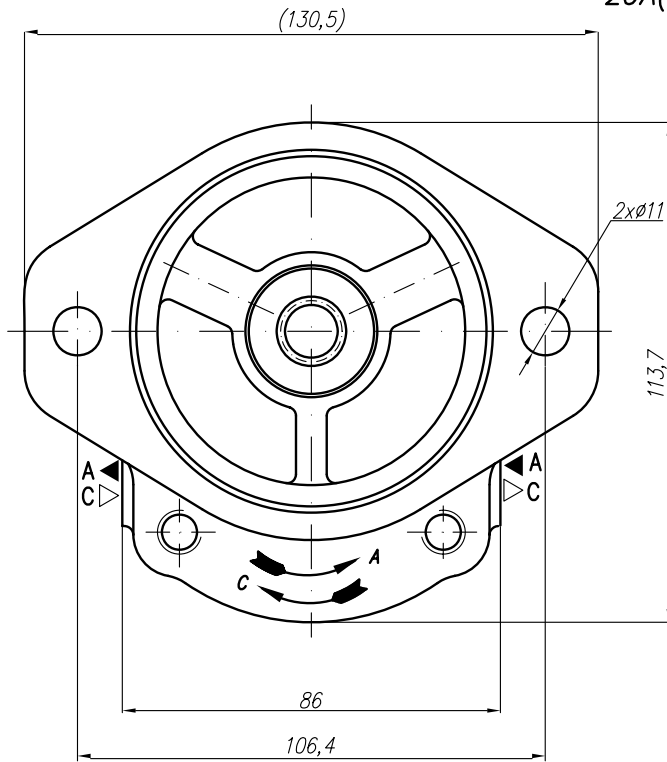


Type	Displacement cm <sup>3</sup> /rev	Flow		Pressure P <sub>nom</sub> bar	max Speed n rpm	Dimension							
		at 1500 rpm l/min	at max rpm l/min			A mm	B mm	Inlet			Outlet		
								E	F	d	E	F	d
20A(C)4,5X347	4,5	6,14	14,33	250	3500	42,5	89,3	30,2	13,1	M6-6H	30,2	13,1	M6-6H
20A(C)6,3X347	6,3	8,69	20,29	250	3500	42,5	89,3						
20A(C)8,2X347	8,2	11,32	26,40	250	3500	42,5	89,3						
20A(C)10X347	10	13,95	32,55	250	3500	47	98,2	39,7	19	M8-6H	30,2	14,2	M6-6H
20A(C)11X347	11,3	15,76	36,78	250	3500	48	100,3						
20A(C)12X347	12	16,92	39,48	250	3500	48,7	101,6						
20A(C)14X347	14	19,95	46,55	250	3500	50,2	104,7						
20A(C)15X347	15	21,60	36,00	250	2500	51	106,2						
20A(C)16X347	16	23,04	38,40	250	2500	51,8	107,8						
20A(C)19X347	19	27,36	45,60	200	2500	54	112,8	39,7	19	M8	19	M8	
20A(C)22X347	22	31,68	42,24	180	2000	56,5	117,8						
20A(C)25X347	25	36,00	48,00	160	2000	58,8	122,7						





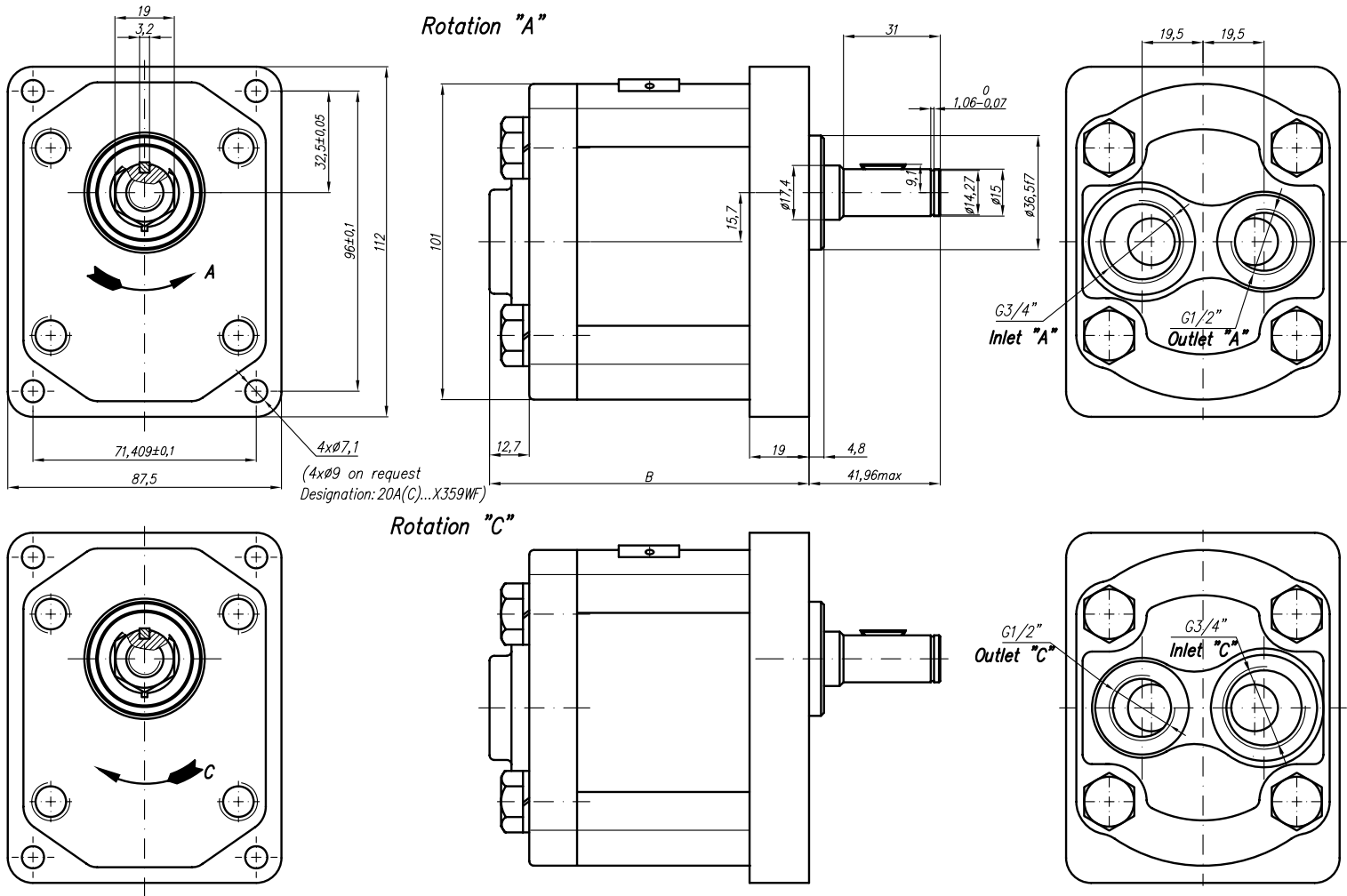
\* 20A(C)...X555(H) – variant with spline lengths 22mm and 31mm.



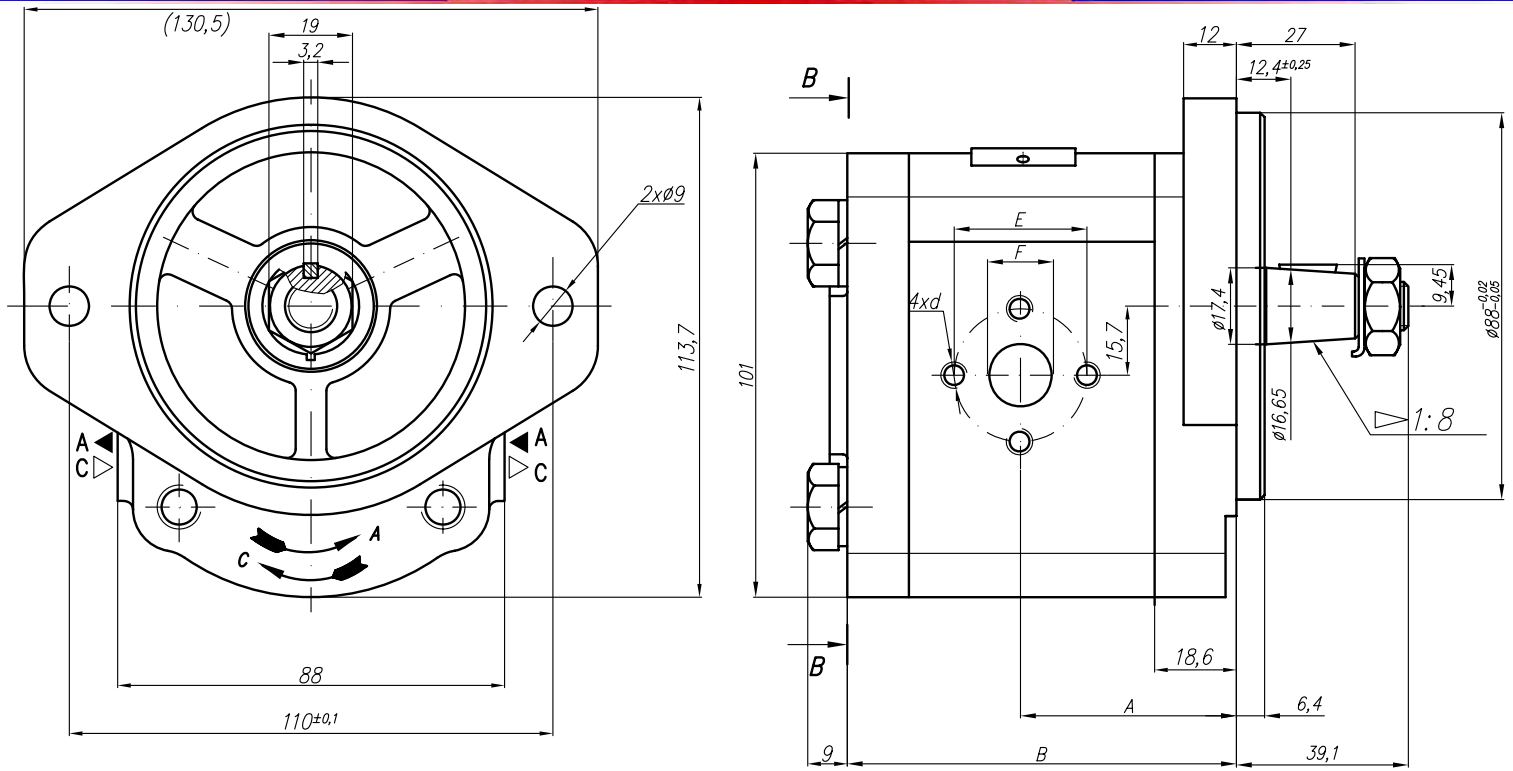
Type	Displacement cm <sup>3</sup> /rev	Flow		Pressure P <sub>nom</sub> bar	max Speed n rpm	Dimension												
		at 1500 rpm l/min	at max rpm l/min			A mm	B mm	Inlet			Outlet							
								E	F	d	E	F	d					
20A(C)4,5X355	4,5	6,14	14,33	250	3500	42	79,6	40	15	M6-6H	35	15	M6-6H					
20A(C)6,3X355	6,3	8,69	20,29	250	3500	43,6	82,6											
20A(C)8,2X355	8,2	11,32	26,40	250	3500	45	85,6											
20A(C)10X355	10	13,95	32,55	250	3500	46,6	88,7											
20A(C)11X355	11,3	15,76	36,78	250	3500	47,6	90,7											
20A(C)12X355	12	16,92	39,48	250	3500	48,2	91,9											
20A(C)14X355	14	19,95	46,55	250	3500	49,6	95											
20A(C)15X355	15	21,60	36,00	250	2500	50,6	96,5											
20A(C)16X355	16	23,04	38,40	250	2500	51,6	98,2											
20A(C)19X355	19	27,36	45,60	200	2500	53,6	103,1											
20A(C)22X355	22	31,68	42,24	180	2000	56,6	108,1											
20A(C)25X355	25	36,00	48,00	160	2000	58,8	113											
20A(C)14X355H	14	20,16	47,04	250	3500	54,6	105,3		40					20	M6-6H	35	15	M6-6H
20A(C)4,5X355H	15	21,60	43,20	250	3000	55,6	106,8											
20A(C)6,3X355H	16	23,04	46,08	250	3000	56,6	108,4											
20A(C)8,2X355H	17,3	24,91	49,82	230	3000	57,6	110,5											
20A(C)10X355H	18,2	26,21	52,42	210	3000	58,4	112,1											
20A(C)11X355H	19	27,36	54,72	200	3000	59	113,4											
20A(C)12X355H	22	31,68	52,80	180	2500	61,5	118,4											
20A(C)14X355H	25	36,00	60,00	160	2500	63,9	123,3											
20A(C)15X355H	28	40,32	67,20	130	2500	66,4	128,1											
20A(C)16X355H	32	46,08	61,44	120	2000	69,6	134,4											
20A(C)19X355H	36	51,84	69,12	100	2000	72,8	141											



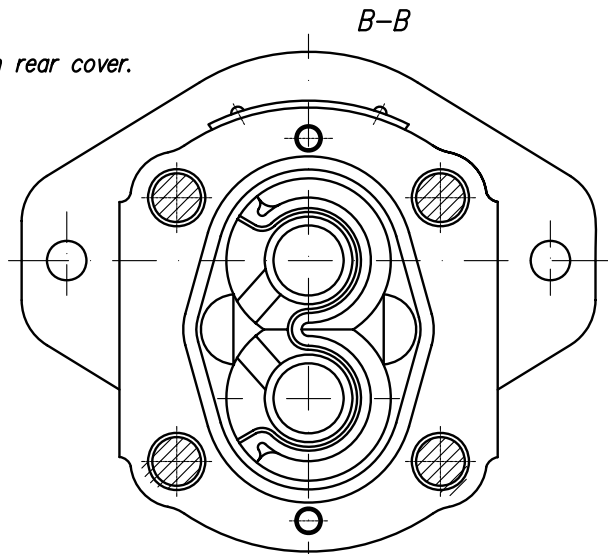




Type	Displacement cm <sup>3</sup> /rev	Flow		Pressure P <sub>nom</sub> bar	max Speed n rpm	Dimension							
		at 1500 rpm l/min	at max rpm l/min			Inlet			Outlet				
						A mm	B mm	M	G	U	M	G	U
20A(C)4,5X359W	4,5	6,14	14,33	250	3500		94	G3/4					
20A(C)6,3X359W	6,3	8,69	20,29	250	3500		97						
20A(C)8,2X359W	8,2	11,32	26,40	250	3500		99,9						
20A(C)10X359W	10	13,95	32,55	250	3500		102,9						
20A(C)11X359W	11,3	15,76	36,78	250	3500		105						
20A(C)12X359W	12	16,92	39,48	250	3500		106,3						
20A(C)14X359W	14	19,95	46,55	250	3500		109,4						
20A(C)15X359W	15	21,60	36,00	250	2500		110,9						
20A(C)16X359W	16	23,04	38,40	250	2500		112,5						
20A(C)19X359W	19	27,36	45,60	200	2500		117,5						
20A(C)22X359W	22	31,68	42,24	180	2000		122,5						
20A(C)25X359W	25	36,00	48,00	160	2000		127,5						

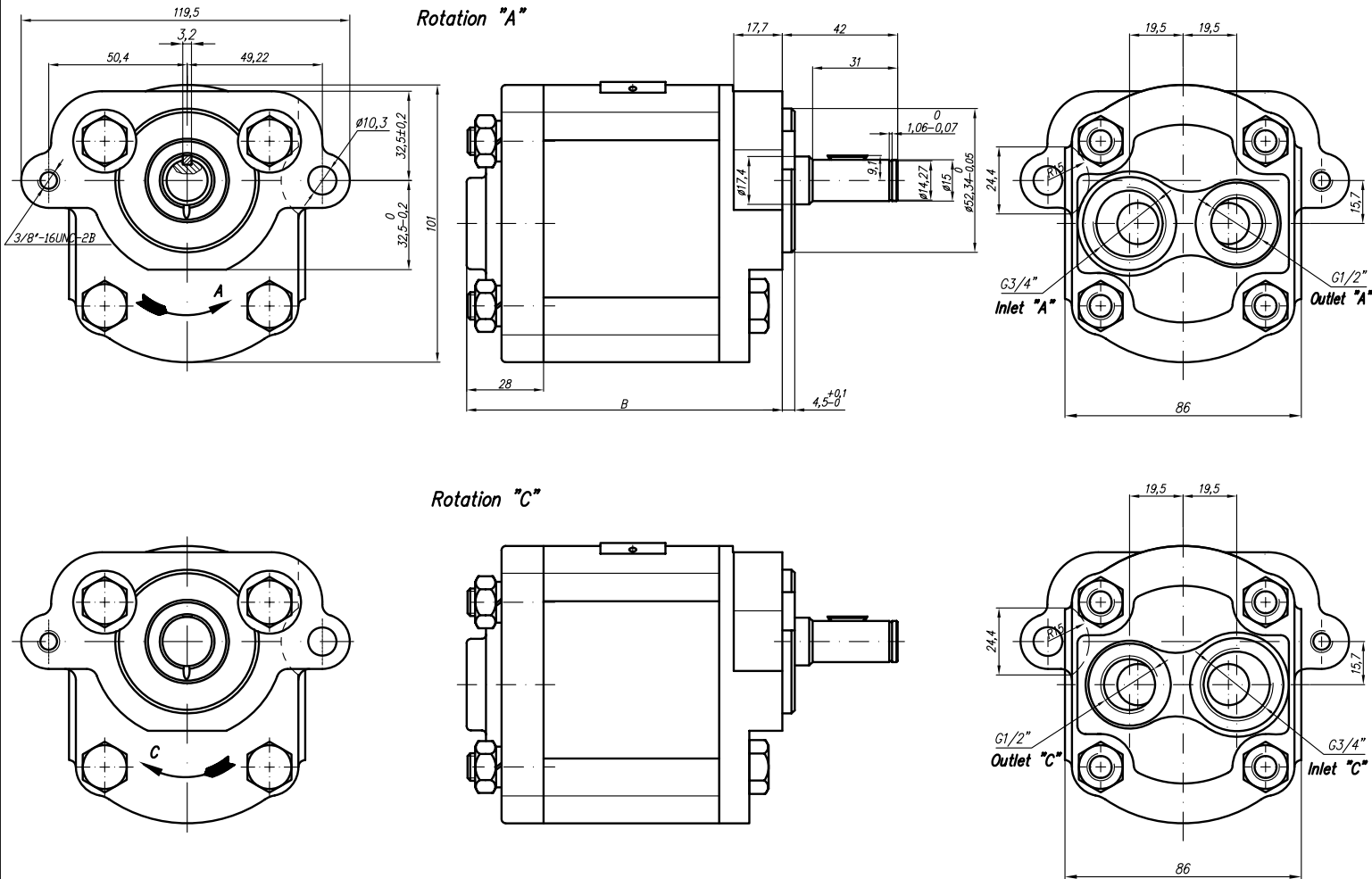


There are possible variants with integrated valves in rear cover.



Type	Displacement cm <sup>3</sup> /rev	Flow		Pressure P <sub>nom</sub> bar	max Speed n rpm	Dimension								
		at 1500 rpm l/min	at max rpm l/min			Inlet			Outlet					
						A mm	B mm	E mm	F mm	d mm	E mm	F mm	d mm	
20A(C)4,5X364VW1	4,5	6,14	14,33	250	3500	42,5	80	30,2	13,1	M6-6H	30,2	13,1	M6-6H	
20A(C)6,3X364VW1	6,3	8,69	20,29	250	3500	42,5	80							
20A(C)8,2X364VW1	8,2	11,32	26,40	250	3500	42,5	80							
20A(C)10X364VW1	10	13,95	32,55	250	3500	47	89	39,7	19	M8-6H	30,2	14,2	M6-6H	
20A(C)11X364VW1	11,3	15,76	36,78	250	3500	48	91,1							
20A(C)12X364VW1	12	16,92	39,48	250	3500	48,6	92,3							
20A(C)14X364VW1	14	19,95	46,55	250	3500	50	95,4							
20A(C)15X364VW1	15	21,60	36,00	250	2500	51	96,9							
20A(C)16X364VW1	16	23,04	38,40	250	2500	52	98,6	39,7	19	M8	39,7	19	M8	
20A(C)19X364VW1	19	27,36	45,60	200	2500	54	103,5							
20A(C)22X364VW1	22	31,68	42,24	180	2000	57	108,5							
20A(C)25X364VW1	25	36,00	48,00	160	2000	59,2	113,4							

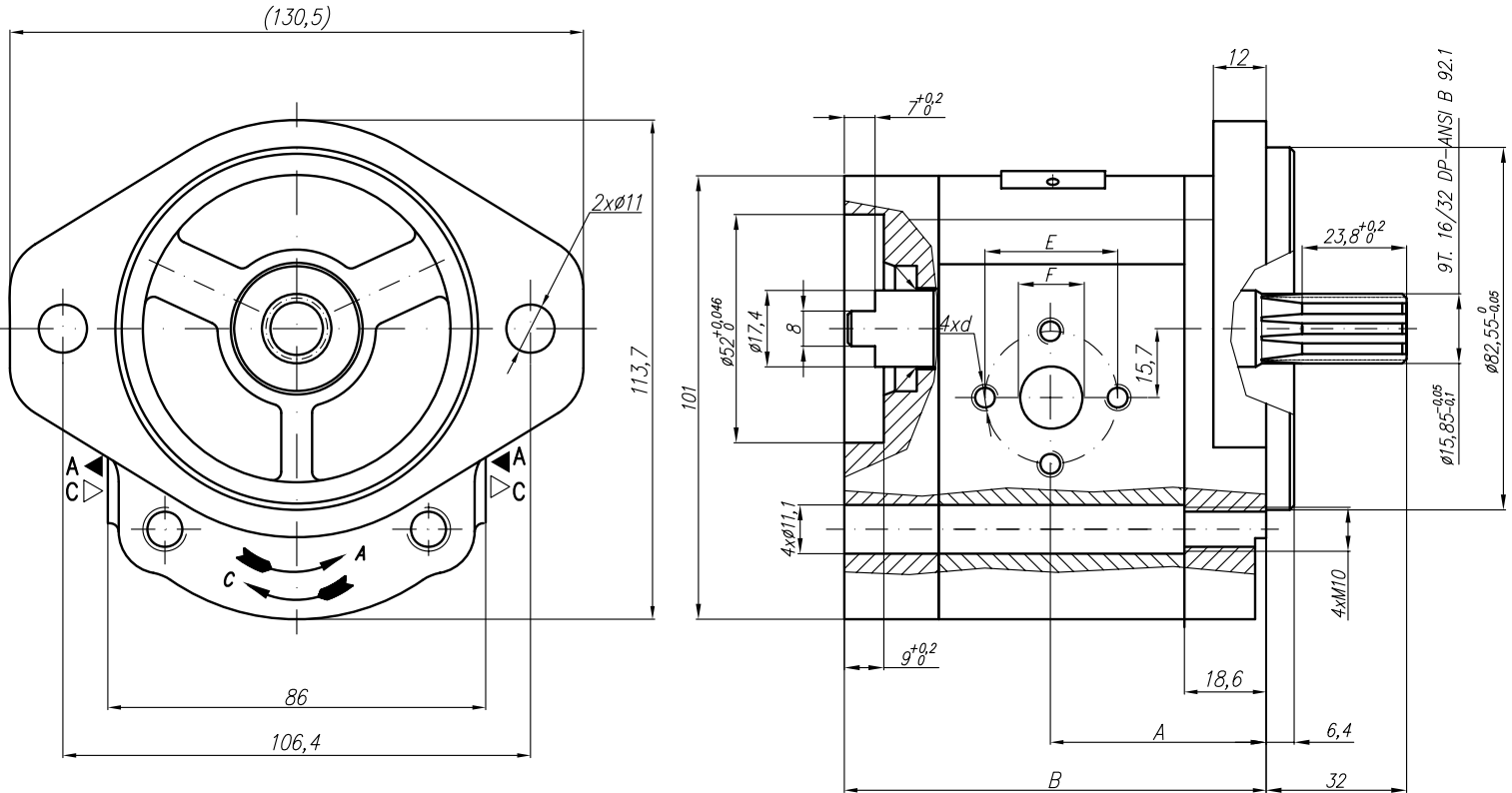




Type	Displacement cm <sup>3</sup> /rev	Flow		Pressure P <sub>nom</sub> bar	max Speed n rpm	Dimension							
		at 1500 rpm l/min	at max rpm l/min			Inlet			Outlet				
						A mm	B mm	M	G	G1	M	G	G1
20A(C)4,5X369	4,5	6,14	14,33	250	3500		70						
20A(C)6,3X369	6,3	8,69	20,29	250	3500		73						
20A(C)8,2X369	8,2	11,32	26,40	250	3500		76						
20A(C)10X369	10	13,95	32,55	250	3500		79						
20A(C)11X369	11,3	15,76	36,78	250	3500		81						
20A(C)12X369	12	16,92	39,48	250	3500		82,3						
20A(C)14X369	14	19,95	46,55	250	3500		85,4						
20A(C)15X369	15	21,60	36,00	250	2500		87						
20A(C)16X369	16	23,04	38,40	250	2500		88,4						
20A(C)19X369	19	27,36	45,60	200	2500		93,5						
20A(C)22X369	22	31,68	42,24	180	2000		98,5						
20A(C)25X369	25	36,00	48,00	160	2000		103,4						



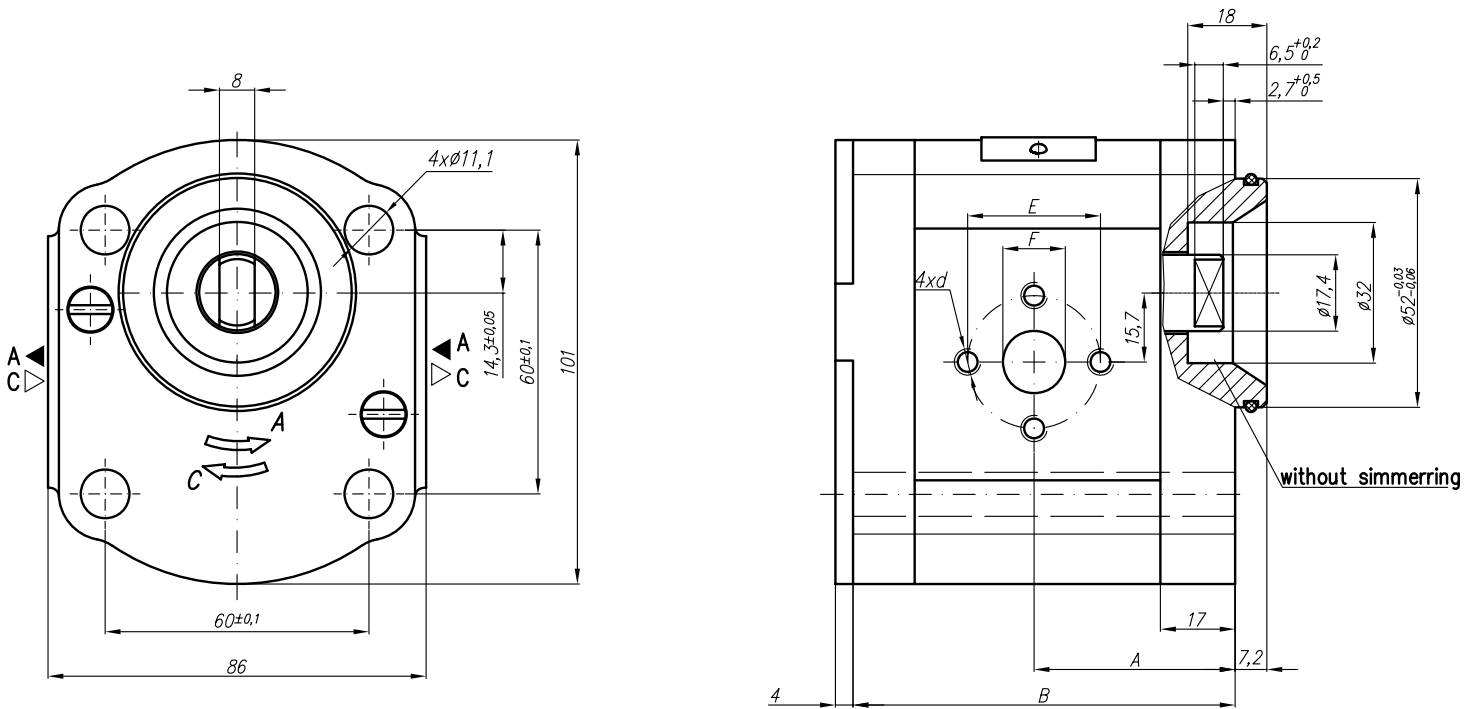
Designed as a special version – 1 section of tandem pump 22A(C)...X380/...X381.



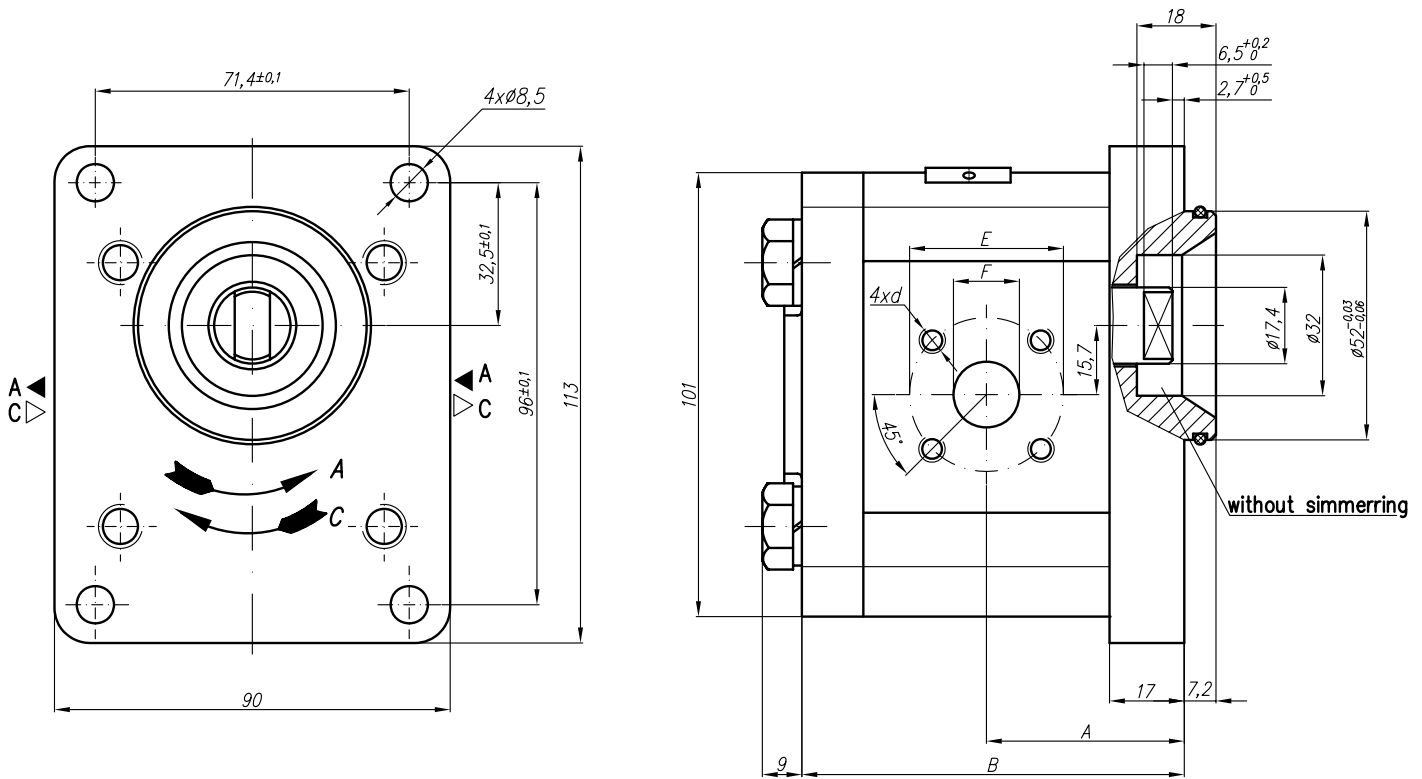
Type	Displacement cm <sup>3</sup> /rev	Flow		Pressure P <sub>nom</sub> bar	max Speed n rpm	Dimension									
		at 1500 rpm l/min	at max rpm l/min			A mm	B mm	Inlet			Outlet				
						E	F	d	E	F	d				
20A(C)4,5X380	4,5	6,14	14,33	250	3500										
20A(C)6,3X380	6,3	8,69	20,29	250	3500										
20A(C)8,2X380	8,2	11,32	26,40	250	3500	45	85,6								
20A(C)10X380	10	13,95	32,55	250	3500										
20A(C)11X380	11,3	15,76	36,78	250	3500	47,6	90,7								
20A(C)12X380	12	16,92	39,48	250	3500										
20A(C)14X380	14	19,95	46,55	250	3500										
20A(C)15X380	15	21,60	36,00	250	2500				40						
20A(C)16X380	16	23,04	38,40	250	2500	51,6	98,2		20						
20A(C)19X380	19	27,36	45,60	200	2500										
20A(C)22X380	22	31,68	42,24	180	2000										
20A(C)25X380	25	36,00	48,00	160	2000										
												35	15		M6-6H



Designed as a special version – II section of tandem pump 22A(C)...X380/...X381.



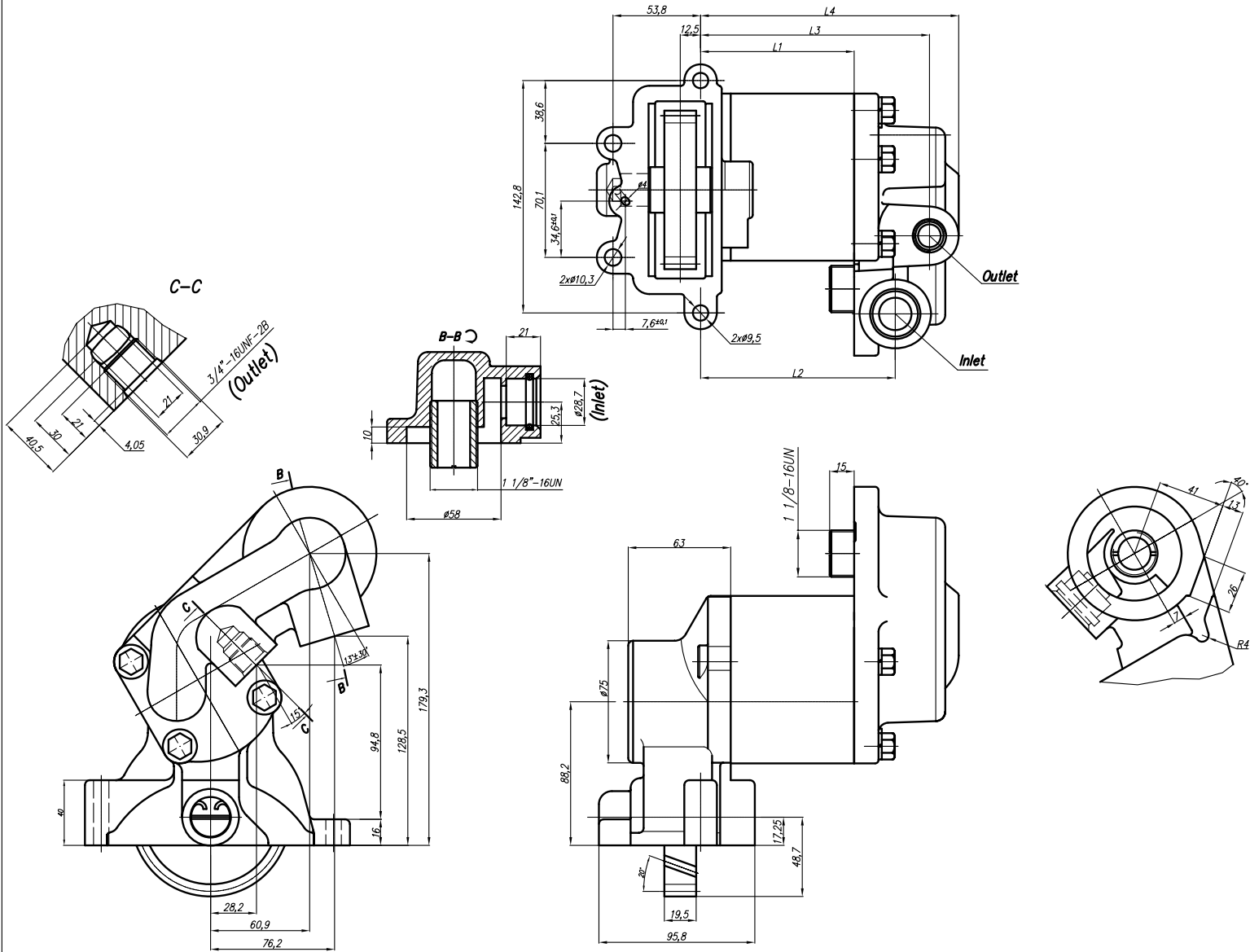
Type	Displacement cm <sup>3</sup> /rev	Flow		Pressure P <sub>nom</sub> bar	max Speed n rpm	Dimension							
		at 1500 rpm l/min	at max rpm l/min			A mm	B mm	Inlet			Outlet		
								E	F	d	E	F	d
20A(C)4,5X381	4,5	6,14	14,33	250	3500	40,5	78	40	15	M6-6H	35	15	M6-6H
20A(C)6,3X381	6,3	8,69	20,29	250	3500								
20A(C)8,2X381	8,2	11,32	26,40	250	3500	45	83,9						
20A(C)10X381	10	13,95	32,55	250	3500	45	87						
20A(C)11X381	11,3	15,76	36,78	250	3500								
20A(C)12X381	12	16,92	39,48	250	3500								
20A(C)14X381	14	19,95	46,55	250	3500								
20A(C)15X381	15	21,60	36,00	250	2500								
20A(C)16X381	16	23,04	38,40	250	2500								
20A(C)19X381	19	27,36	45,60	200	2500								
20A(C)22X381	22	31,68	42,24	180	2000								
20A(C)25X381	25	36,00	48,00	160	2000								



Type	Displacement cm <sup>3</sup> /rev	Flow		Pressure P <sub>nom</sub> bar	max Speed n rpm	Dimension								
		at 1500 rpm l/min	at max rpm l/min			A mm	B mm	Inlet			Outlet			
						E	F	d	E	F	d			
20A(C)4,5X398	4,5	6,14	14,33	250	3500	37,3	75,1	40	15	M6-6H	35	15	M6-6H	
20A(C)6,3X398	6,3	8,69	20,29	250	3500	38,6	78							
20A(C)8,2X398	8,2	11,32	26,40	250	3500	40,6	78							
20A(C)10X398	10	13,95	32,55	250	3500	45	87							
20A(C)11X398	11,3	15,76	36,78	250	3500	45	89,1							
20A(C)12X398	12	16,92	39,48	250	3500	45	90,3							
20A(C)14X398	14	19,95	46,55	250	3500	45	93,4							
20A(C)15X398	15	21,60	36,00	250	2500	45	94,9							
20A(C)16X398	16	23,04	38,40	250	2500	45	96,5							
20A(C)19X398	19	27,36	45,60	200	2500	45	101,5							
20A(C)22X398	22	31,68	42,24	180	2000	52,5	106,5							
20A(C)25X398	25	36,00	48,00	160	2000	57,2	111,4							





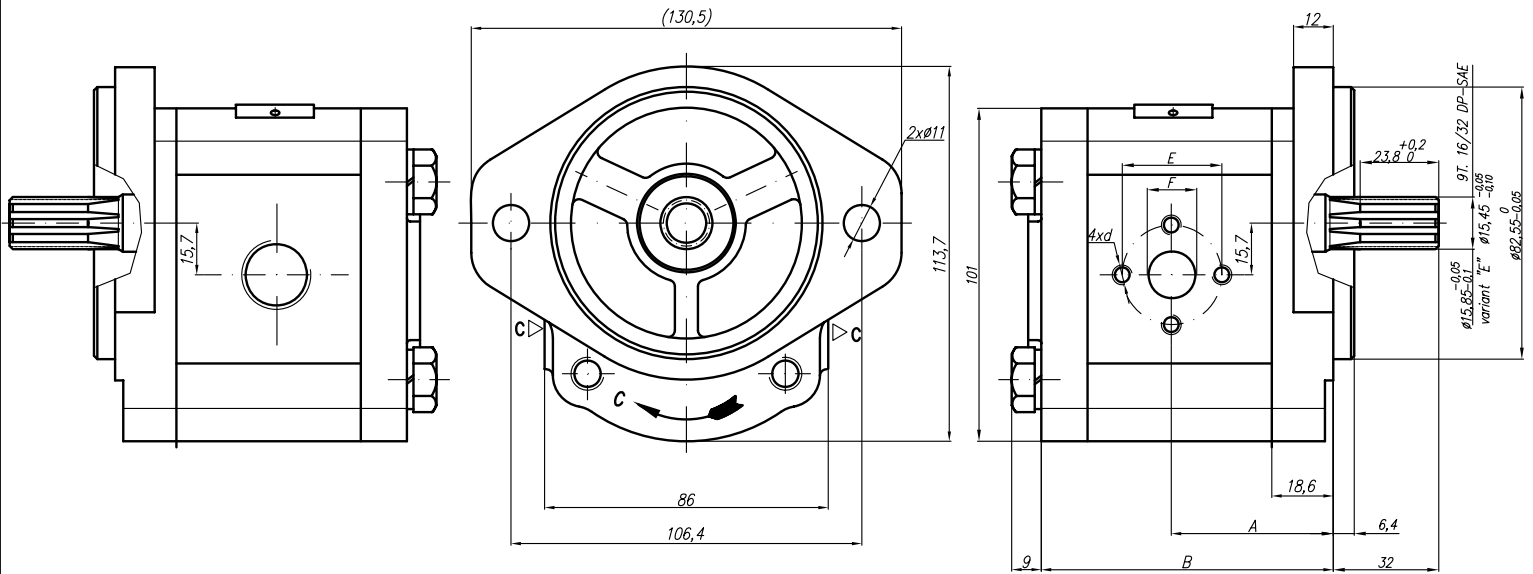


Type	Displacement cm <sup>3</sup> /rev	Flow		Pressure P <sub>nom</sub> bar	max Speed n rpm	Dimension					
		at 1500 rpm l/min	at max rpm l/min			L1 mm	L2 mm	L3 mm	L4 mm	Inlet d	Outlet U
20C15X409HF	15	20,48	34,13	250	2500	92,7	118	139	157	28,7	3/4"-16UNF-2B
20C16X409HF	16	22,08	36,80	250	2500	94,3	119,6	141	159		
20C17,3X409HF	17,3	23,87	39,79	230	2500	96,4	121,7	143	161		
20C18,2X409HF	18,2	25,39	42,32	200	2500	98	123,3	144	162		
20C19X409HF	19	26,51	44,18	200	2500	99,3	124,6	146	164		
20C22X409HF	22	31,02	41,36	180	2000						
20C25X409HF	25	35,63	47,50	160	2000						
20C28X409HF	28	40,32	53,76	120	2000						
20C32X409HF	32	46,08	46,08	100	1500						
20C36X409HF	36	51,84	51,84	80	1500						

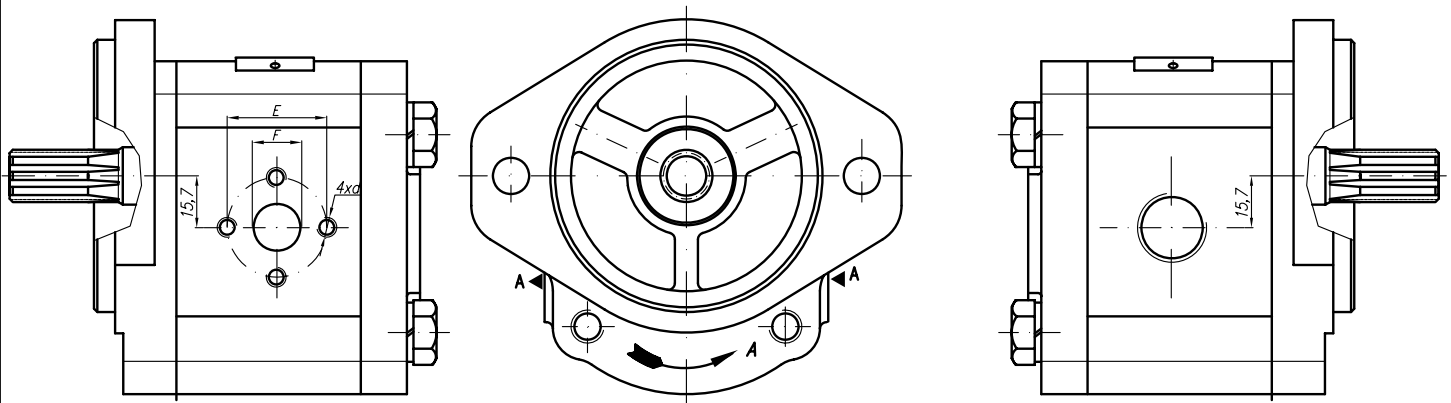




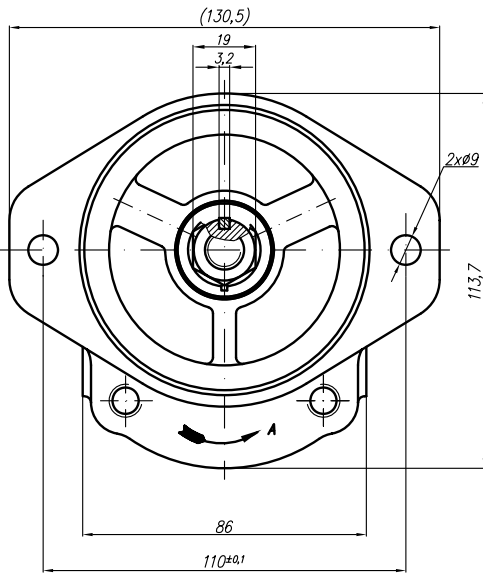
Rotation "C"



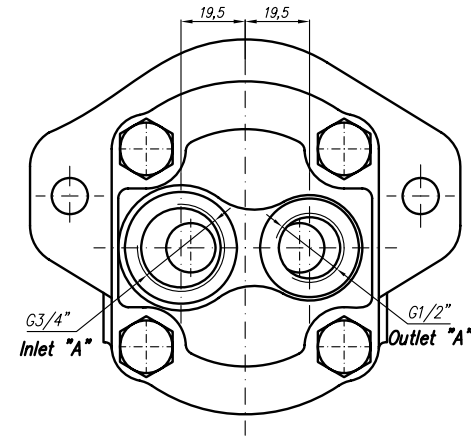
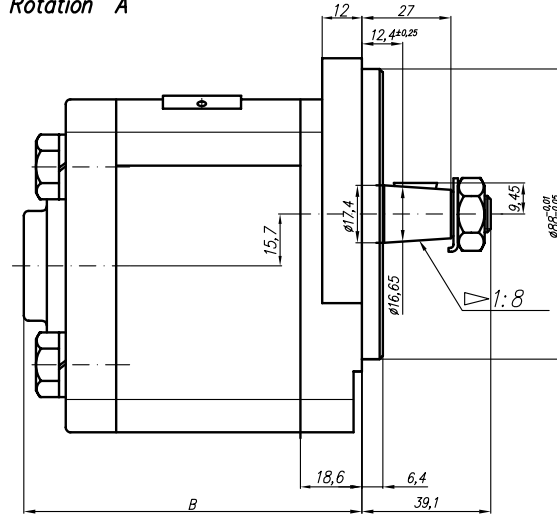
Rotation "A"



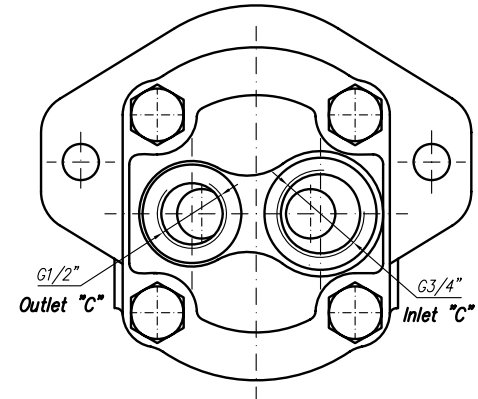
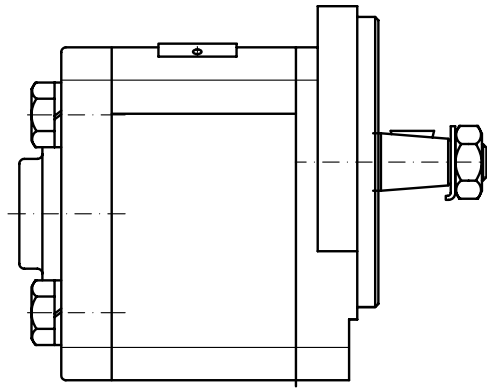
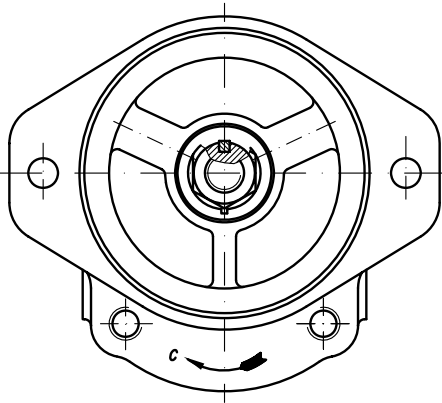
Type	Displacement cm <sup>3</sup> /rev	Flow		Pressure P <sub>nom</sub> bar	max Speed n rpm	Dimension								
		at 1500 rpm l/min	at max rpm l/min			A mm	B mm	Inlet			Outlet			
						E	F	d	M	G	U			
20A(C)4,5X419	4,5	6,14	14,33	250	3500	42,1	79,6	30,2	13,1	M6-6H	G1/2			
20A(C)6,3X419	6,3	8,69	20,29	250	3500	42,1	79,6							
20A(C)8,2X419	8,2	11,32	26,40	250	3500	42,1	79,6							
20A(C)10X419	10	13,95	32,55	250	3500	46,6	88,7	39,7	19	M8-6H				
20A(C)11X419	11,3	15,76	36,78	250	3500	47,6	90,7							
20A(C)12X419	12	16,92	39,48	250	3500	48,2	91,9							
20A(C)14X419	14	19,95	46,55	250	3500	49,6	95							
20A(C)15X419	15	21,60	36,00	250	2500	50,6	96,5							
20A(C)16X419	16	23,04	38,40	250	2500	51,6	98,2							
20A(C)19X419	19	27,36	45,60	200	2500	53,6	103,1							
20A(C)22X419	22	31,68	42,24	180	2000	56,6	108,1							
20A(C)25X419	25	36,00	48,00	160	2000	58,8	113							



Rotation "A"



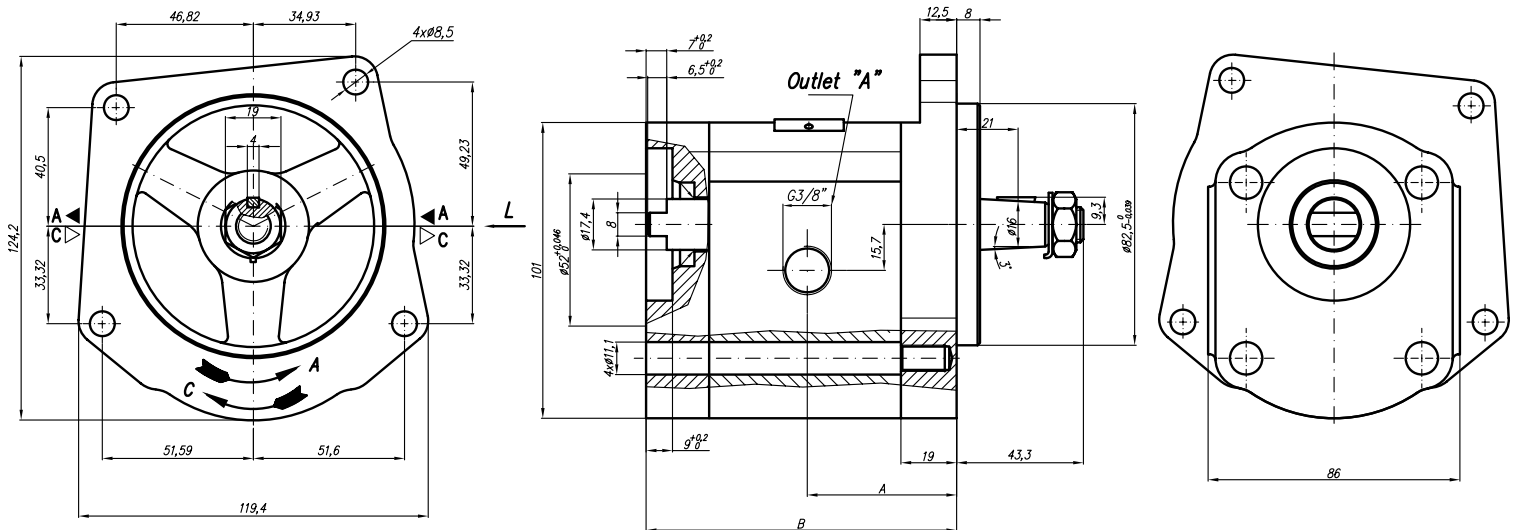
Rotation "C"



Type	Displacement cm <sup>3</sup> /rev	Flow		Pressure P <sub>nom</sub> bar	max Speed n rpm	Dimension							
		at 1500 rpm l/min	at max rpm l/min			Inlet			Outlet				
						A mm	B mm	M	G	G1	M	G	G1
20A(C)4,5X423VW	4,5	6,14	14,33	250	3500		93,6						
20A(C)6,3X423VW	6,3	8,69	20,29	250	3500		96,6						
20A(C)8,2X423VW	8,2	11,32	26,40	250	3500		99,5						
20A(C)10X423VW	10	13,95	32,55	250	3500		102,5						
20A(C)11X423VW	11,3	15,76	36,78	250	3500		104,6						
20A(C)12X423VW	12	16,92	39,48	250	3500		105,9						
20A(C)14X423VW	14	19,95	46,55	250	3500		108,9						
20A(C)15X423VW	15	21,60	36,00	250	2500		110,5						
20A(C)16X423VW	16	23,04	38,40	250	2500		112,1						
20A(C)19X423VW	19	27,36	45,60	200	2500		117,1						
20A(C)22X423VW	22	31,68	42,24	180	2000		122,1						
20A(C)25X423VW	25	36,00	48,00	160	2000		127						



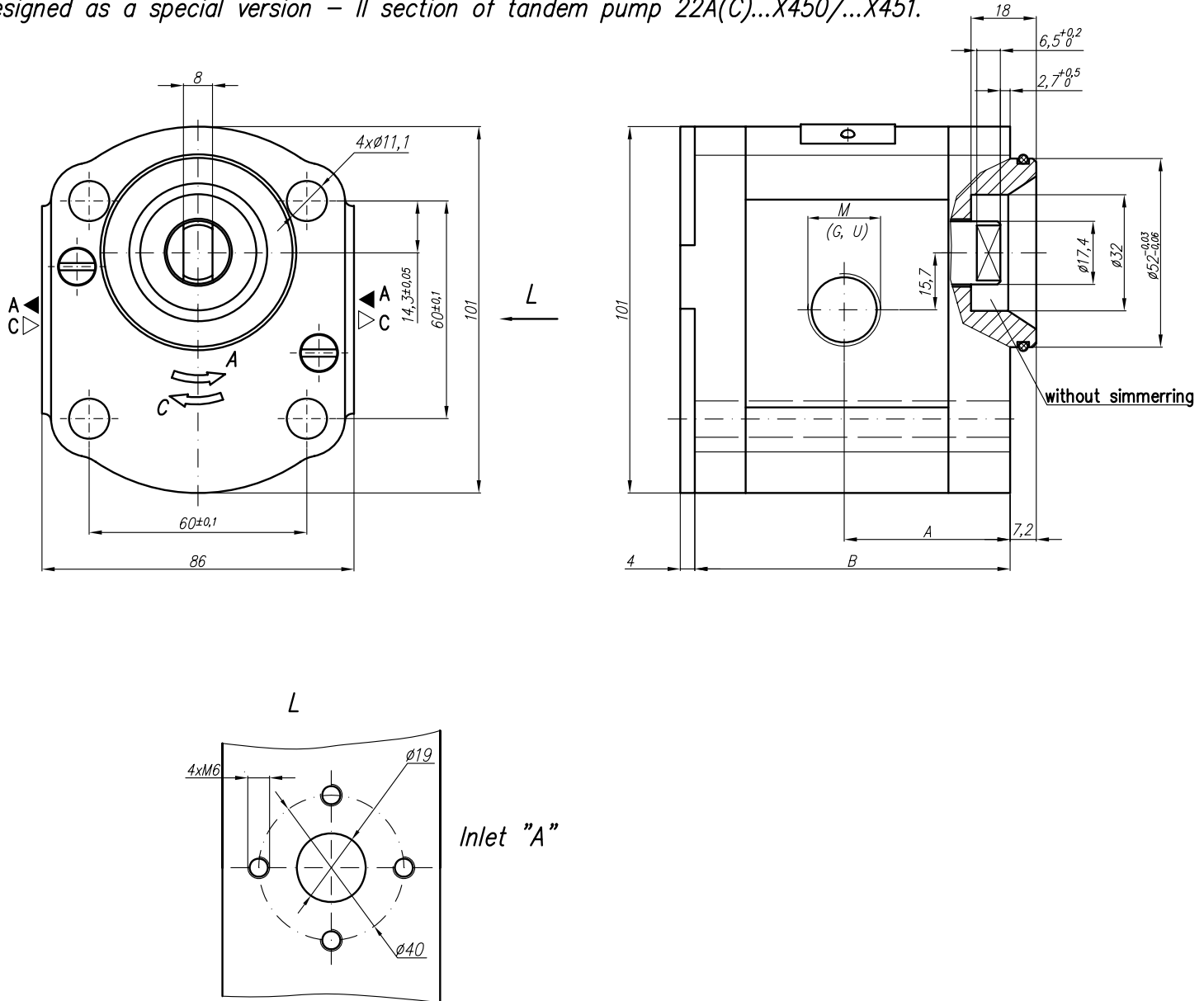
Designed as a special version – 1 section of tandem pump 22A(C)...X450/...X451.



\* These pressures recommended for direct drive with gear.

Type	Displacement cm <sup>3</sup> /rev	Flow		Pressure P <sub>nom</sub> bar	max Speed n rpm	Dimension							
		at 1500 rpm l/min	at max rpm l/min			Inlet			Outlet				
						A mm	B mm	E	F	d	M	G	U
20A(C)15X450	15	21,60	36,00	250(175*)	2500	51	104,1	40	19	M6-6H		G3/8	
20A(C)16X450	16	23,04	38,40	250(175*)	2500	51	105,7						
20A(C)25X450	25	36,00	48,00	160(100*)	2000	59,2	120,6						

Designed as a special version – II section of tandem pump 22A(C)...X450/...X451.



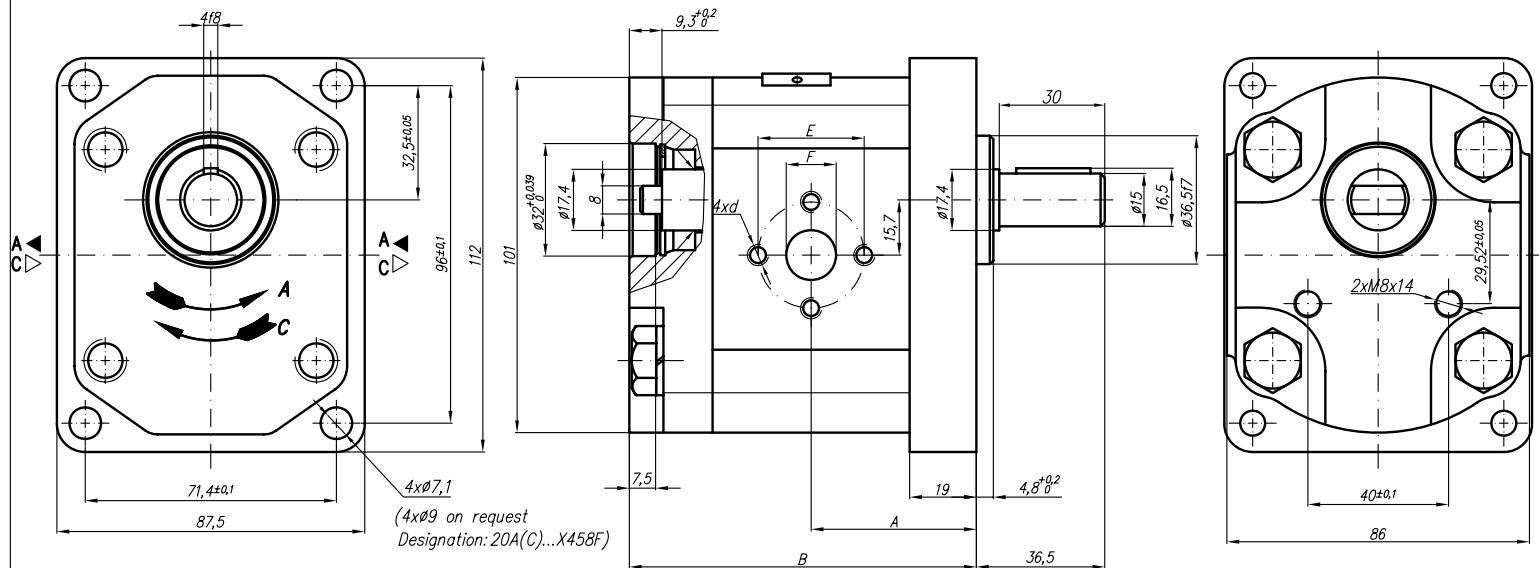
\* These pressures recommended for direct drive with gear.

Type	Displacement cm <sup>3</sup> /rev	Flow		Pressure P <sub>nom</sub> bar	max Speed n rpm	Dimension							
		at 1500 rpm l/min	at max rpm l/min			A mm	B mm	Inlet			Outlet		
								E	F	d	M	G	U
20A(C)11X451	11,3	15,76	26,27	250(175*)	2500	46	89						
20A(C)15X451	15	21,60	36,00	250(175*)	2500	49	94,9	40	19	M6-6H		G3/8	
20A(C)16X451	16	23,04	38,40	250(175*)	2500	49	96,5						
20A(C)25X451	25	36,00	48,00	160(100*)	2000	57,2	111,4						

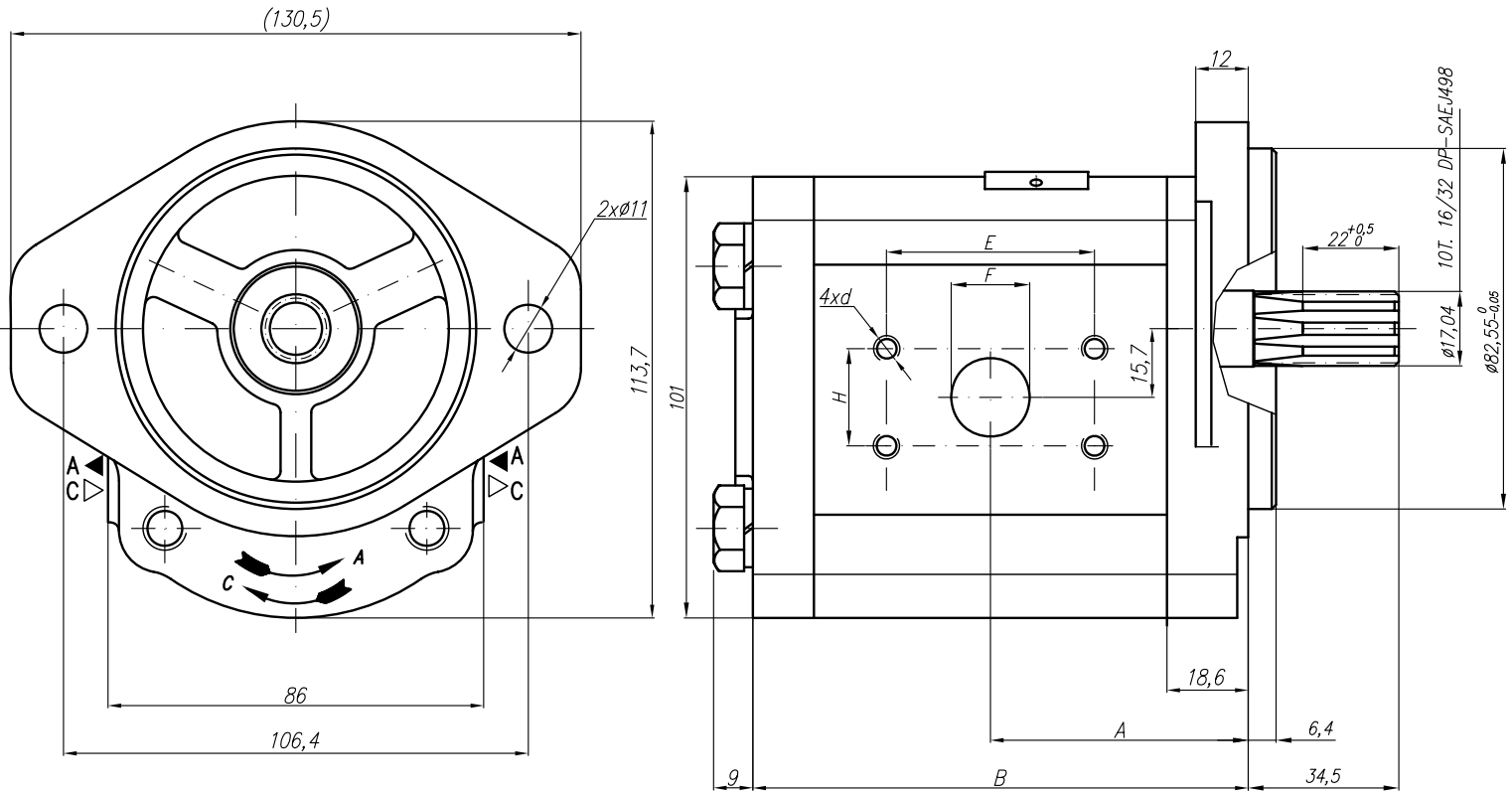




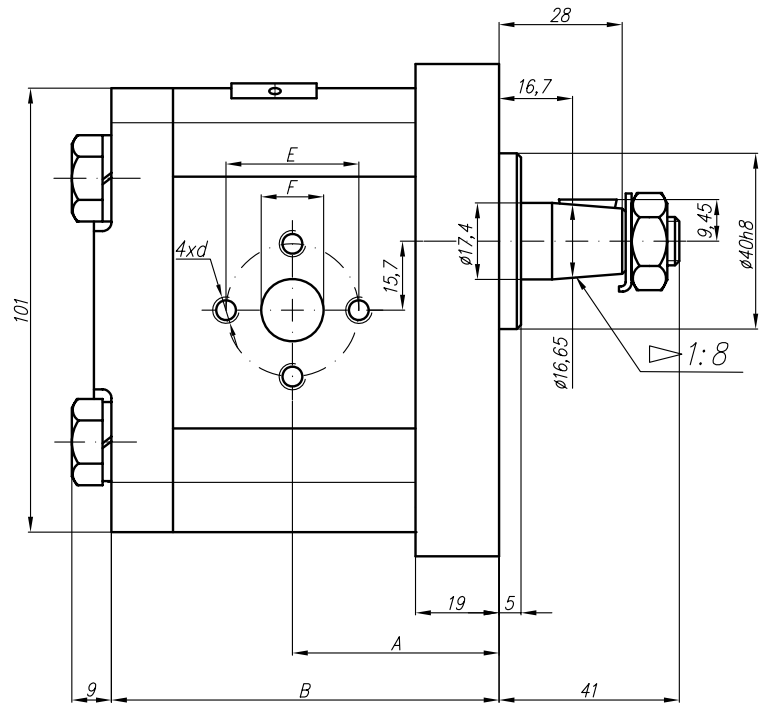
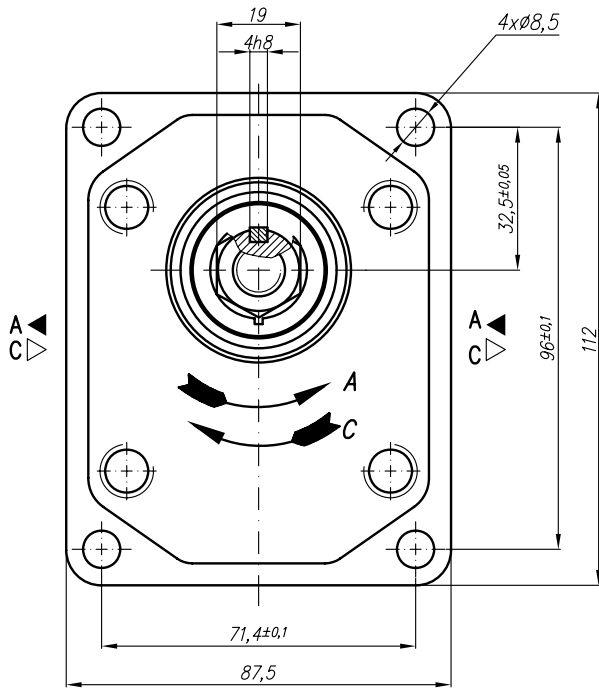
Designed as a first section of tandem pumps group 21A(C)...X458/... (lgroup/lgroup).



Type	Displacement cm <sup>3</sup> /rev	Flow		Pressure P <sub>nom</sub> bar	max Speed n rpm	Dimension							
		at 1500 rpm l/min	at max rpm l/min			Inlet			Outlet				
						A mm	B mm	E	F	d	E	F	d
20A(C)4,5X458	4,5	6,14	14,33	250	3500	42,5	89,7	30,2	13,1	M6-6H	30,2	13,1	
20A(C)6,3X458	6,3	8,69	20,29	250	3500	42,5	89,7						
20A(C)8,2X458	8,2	11,32	26,40	250	3500	42,5	89,7						
20A(C)10X458	10	13,95	32,55	250	3500	47	98,7						
20A(C)11X458	11,3	15,76	36,78	250	3500	48	100,7	39,7	19	M8-6H	30,2	14,2	M6-6H
20A(C)12X458	12	16,92	39,48	250	3500	48,6	102						
20A(C)14X458	14	19,95	46,55	250	3500	50	105,1						
20A(C)15X458	15	21,60	36,00	250	2500	51	106,6						
20A(C)16X458	16	23,04	38,40	250	2500	52	108,3	39,7	19	M8	39,7	19	M8
20A(C)19X458	19	27,36	45,60	200	2500	54	113,2						
20A(C)22X458	22	31,68	42,24	180	2000	57	118,2						
20A(C)25X458	25	36,00	48,00	160	2000	59,2	123,1						



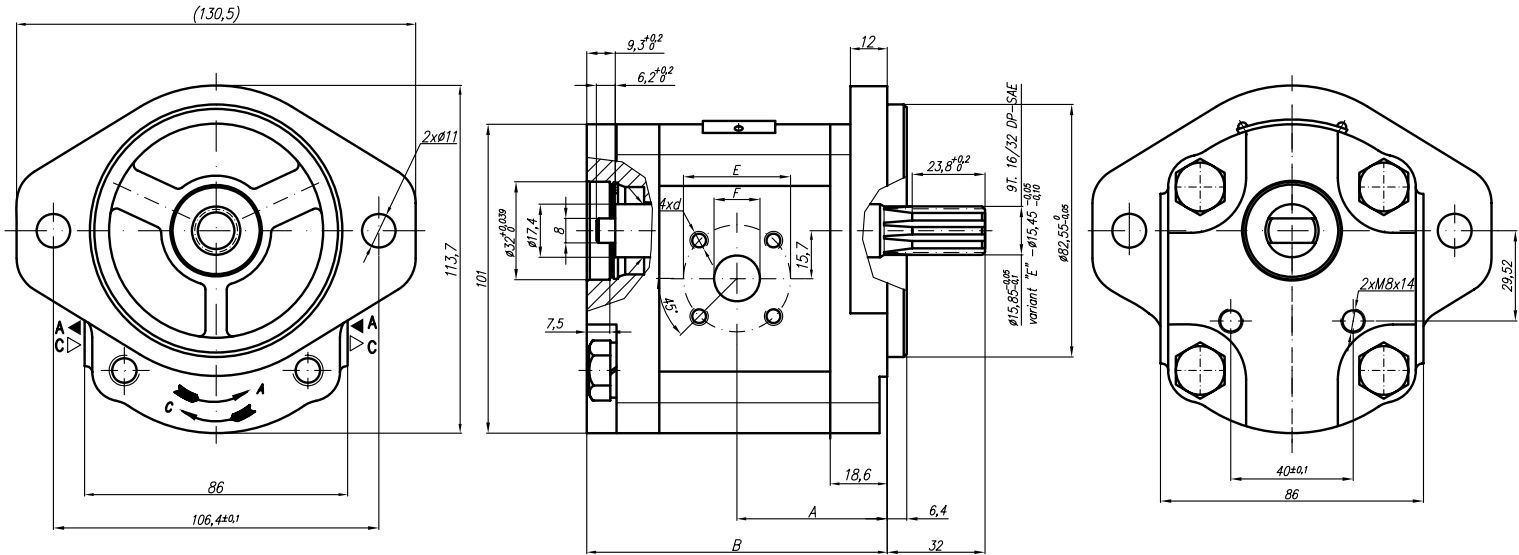
Type	Displacement cm <sup>3</sup> /rev	Flow		Pressure P <sub>nom</sub> bar	max Speed n rpm	Dimension									
		at 1500 rpm l/min	at max rpm l/min			Inlet				Outlet					
						A mm	B mm	E	H	d	F	E	H	d	F
20A(C)15X464H	15	20,48	47,78	250	3500	55,6	106,8	52,7	26,2	3/8"-14UNC-2B	25	47,6	22	3/8"-14UNC-2B	18
20A(C)16X464H	16	22,08	51,52	250	3500	56,6	108,4								
20A(C)17,3X464H	17,3	23,87	55,71	230	3500	57,6	110,5								
20A(C)18,2X464H	18,2	25,39	59,24	210	3500	58,4	112,1								
20A(C)19X464H	19	26,51	61,85	200	3500	59	113,4								
20A(C)22X464H	22	31,02	72,38	180	3500	61,5	118,4								
20A(C)25X464H	25	35,63	83,13	160	3500	63,9	123,3								
20A(C)28X464H	28	40,32	67,20	130	2500	66,4	128,1								
20A(C)32X464H	32	46,08	76,80	120	2500	69,6	134,4								
20A(C)36X464H	36	51,84	86,40	100	2500	72,8	141								



Type	Displacement cm <sup>3</sup> /rev	Flow		Pressure P <sub>nom</sub> bar	max Speed n rpm	Dimension							
		at 1500 rpm l/min	at max rpm l/min			A mm	B mm	Inlet			Outlet		
								E	F	d	E	F	d
20A(C)4,5X466	4,5	6,14	14,33	250	3500								
20A(C)6,3X466	6,3	8,69	20,29	250	3500								
20A(C)8,2X466	8,2	11,32	26,40	250	3500								
20A(C)10X466	10	13,95	32,55	250	3500								
20A(C)11X466	11,3	15,76	36,78	250	3500								
20A(C)12X466	12	16,92	39,48	250	3500								
20A(C)14X466	14	19,95	46,55	250	3500	52,5	95,4						
20A(C)15X466	15	21,60	36,00	250	2500			40	20	M8-6H	40	12	M8-6H
20A(C)16X466	16	23,04	38,40	250	2500	52,5	98,5						
20A(C)19X466	19	27,36	45,60	200	2500								
20A(C)22X466	22	31,68	42,24	180	2000								
20A(C)25X466	25	36,00	48,00	160	2000								
20A(C)14X466HS	14	20,16	47,04	250	3500								
20A(C)15X466HS	15	21,60	36,00	250	2500								
20A(C)16X466HS	16	23,04	38,40	250	2500	62	108,8	40	20	M8-6H	40	12	M8-6H
20A(C)17,3X466HS	17,3	24,91	41,52	230	2500	62	111						
20A/C17,3X466HS2	17,3	24,91	41,52	200	2500	58	111						
	19	27,36	45,60	200	2500						15		



Designed as a first section of tandem pumps group 21A(C)...X478/... (II group/I group).

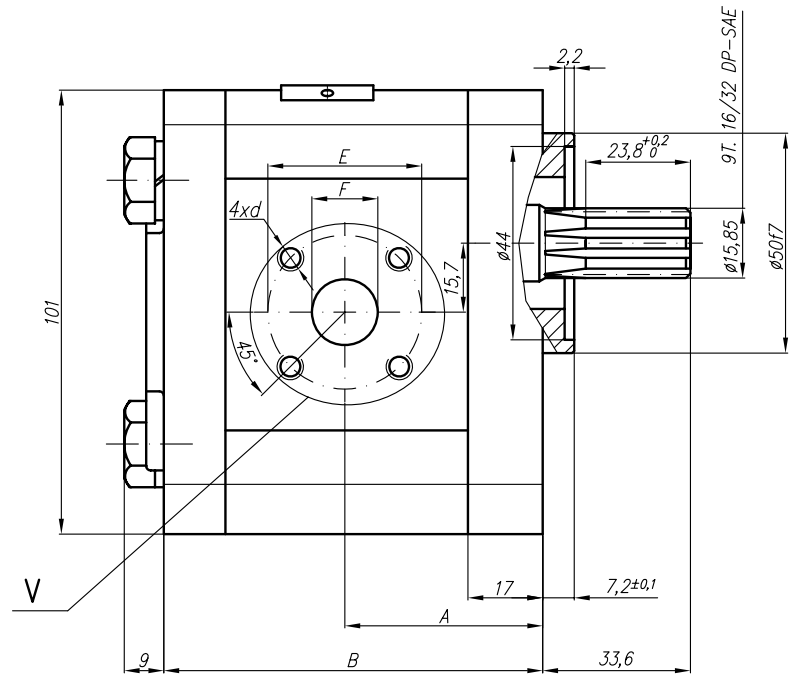
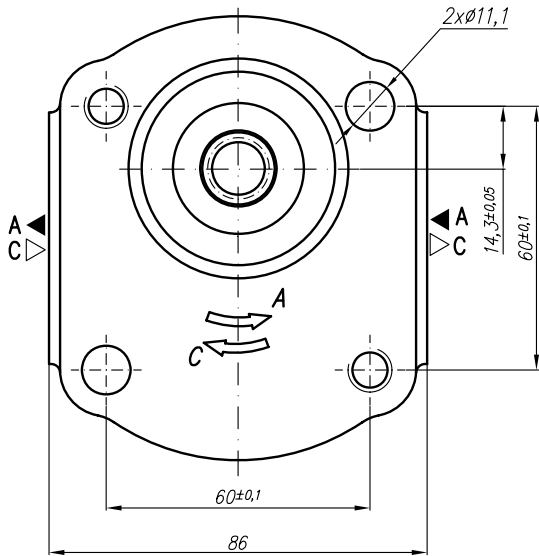


Type	Displacement cm <sup>3</sup> /rev	Flow		Pressure P <sub>nom</sub> bar	max Speed n rpm	Dimension							
		at 1500 rpm l/min	at max rpm l/min			A mm	B mm	Inlet			Outlet		
								E	F	d	E	F	d
20A(C)4,5X478	4,5	6,14	14,33	250	3500	42,1	89,3	40	15	M6-6H	35	15	M6-6H
20A(C)6,3X478	6,3	8,69	20,29	250	3500	43,6	92,3						
20A(C)8,2X478	8,2	11,32	26,40	250	3500	45,1	95,2						
20A(C)10X478	10	13,95	32,55	250	3500	46,6	98,2						
20A(C)11X478	11,3	15,76	36,78	250	3500	47,6	100,3						
20A(C)12X478	12	16,92	39,48	250	3500	48,2	101,6						
20A(C)14X478	14	19,95	46,55	250	3500	49,6	104,7						
20A(C)15X478	15	21,60	36,00	250	2500	50,6	106,2						
20A(C)16X478	16	23,04	38,40	250	2500	51,6	107,8						
20A(C)19X478	19	27,36	45,60	200	2500	53,6	112,8						
20A(C)22X478	22	31,68	42,24	180	2000	56,6	117,8						
20A(C)25X478	25	36,00	48,00	160	2000	58,8	122,7						





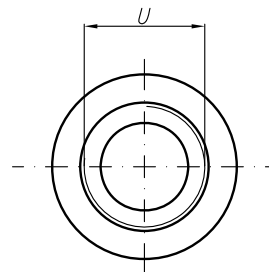
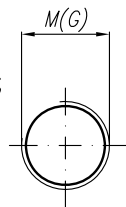




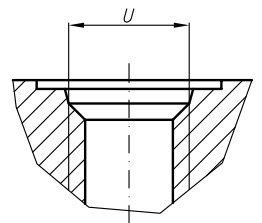
V  
Variants for ports – M;G;U

Designations:

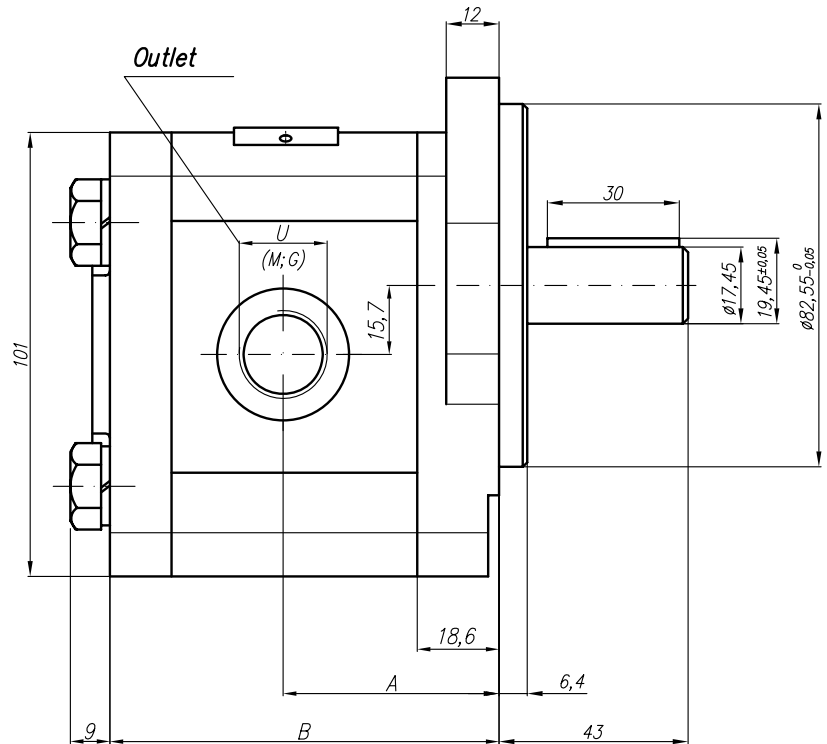
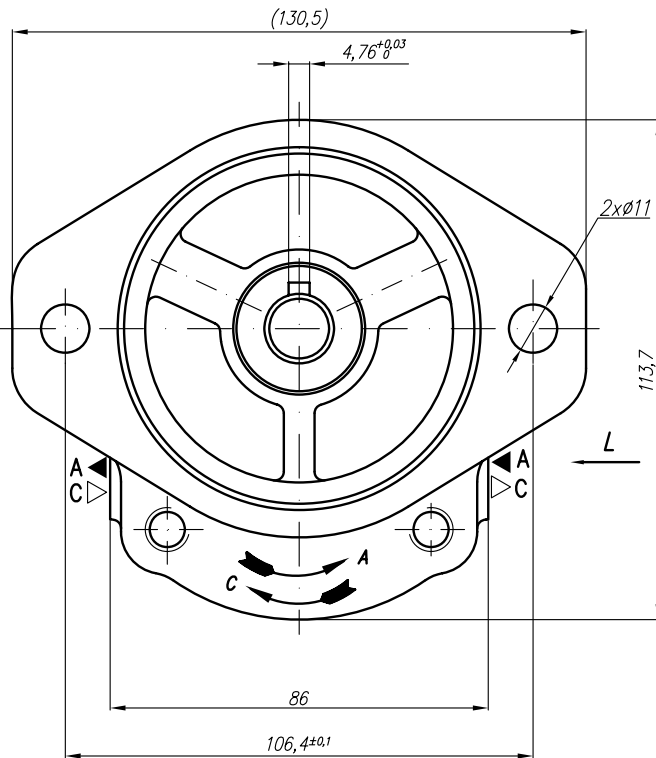
- ...X496 – Normal version (flanges);
- ...X496M – Metric threads;
- ...X496G – GAS threads;
- ...X496U – SAE UNF threads;



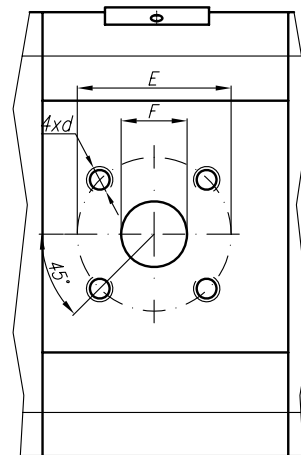
SAE J475 (ISO R725)



Type	Displacement cm <sup>3</sup> /rev	Flow		Pressure P <sub>nom</sub> bar	max Speed n rpm	Dimension														
		at 1500 rpm l/min	at max rpm l/min			Inlet					Outlet									
						A mm	B mm	E	F	d	M	G	U	E	F	d	M	G	U	
20A(C)4,5X496...	4,5	6,14	14,33	250	3500	37,3	75,1	40	20	M6-6H	M20x1,5	G1/2	1	1/16"-12UNF	35	15	M6-6H	M16x1,5	G1/2	7/8"-14UNF
20A(C)6,3X496...	6,3	8,69	20,29	250	3500	38,6	78													
20A(C)8,2X496...	8,2	11,32	26,40	250	3500	40,6	78													
20A(C)10X496...	10	13,95	32,55	250	3500	45	87													
20A(C)11X496...	11,3	15,76	36,78	250	3500	45	89,1													
20A(C)12X496...	12	16,92	39,48	250	3500	45	90,3													
20A(C)14X496...	14	19,95	46,55	250	3500	45	93,4													
20A(C)15X496...	15	21,60	36,00	250	2500	45	94,9													
20A(C)16X496...	16	23,04	38,40	250	2500	45	96,5													
20A(C)19X496...	19	27,36	45,60	200	2500	45	101,5													
20A(C)22X496...	22	31,68	42,24	180	2000	52,5	106,5													
20A(C)25X496...	25	36,00	48,00	160	2000	57,2	111,4													

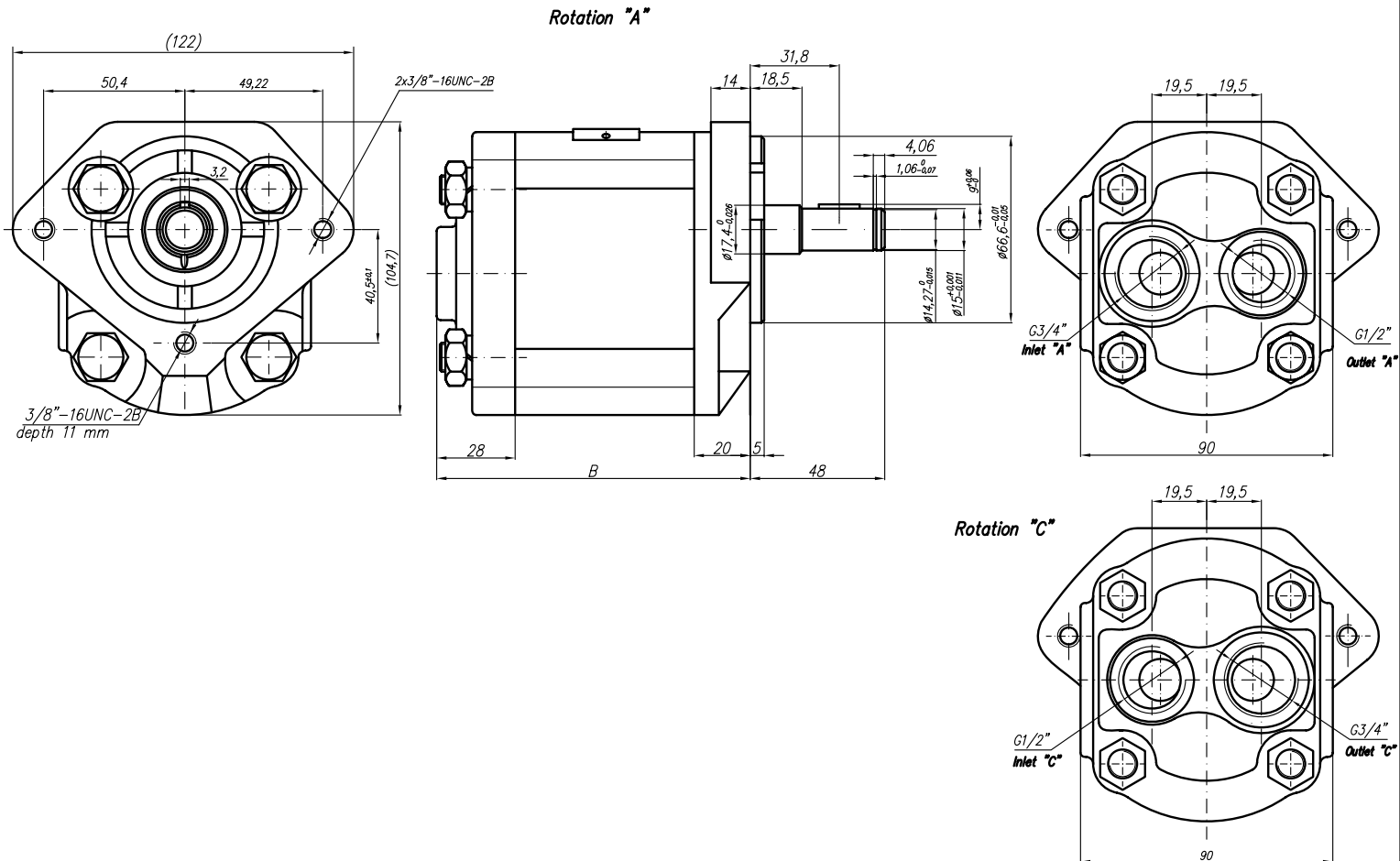


L  
Inlet



Type	Displacement cm <sup>3</sup> /rev	Flow		Pressure P <sub>nom</sub> bar	max Speed n rpm	Dimension							
		at 1500 rpm l/min	at max rpm l/min			A mm	B mm	Inlet			Outlet		
								E	F	d	M	G	U
20A(C)4,5X497...	4,5	6,14	14,33	250	3500	41,4	79,6	40	15	M6-6H			3/4" - 16UNF
20A(C)6,3X497...	6,3	8,69	20,29	250	3500	42,6	82,6						
20A(C)8,2X497...	8,2	11,32	26,40	250	3500	44,7	85,5						
20A(C)10X497...	10	13,95	32,55	250	3500	49,1	88,6		20				
20A(C)11X497...	11,3	15,76	36,78	250	3500	49,1	90,7						
20A(C)12X497...	12	16,92	39,48	250	3500	49,1	91,9						
20A(C)14X497...	14	19,95	46,55	250	3500	49,1	95						
20A(C)15X497...	15	21,60	36,00	250	2500	49,1	96,5						
20A(C)16X497...	16	23,04	38,40	250	2500	49,1	98,2						
20A(C)19X497...	19	27,36	45,60	200	2500	49,1	103,1						
20A(C)22X497...	22	31,68	42,24	180	2000	56,6	108,1						
20A(C)25X497...	25	36,00	48,00	160	2000	58,8	113						

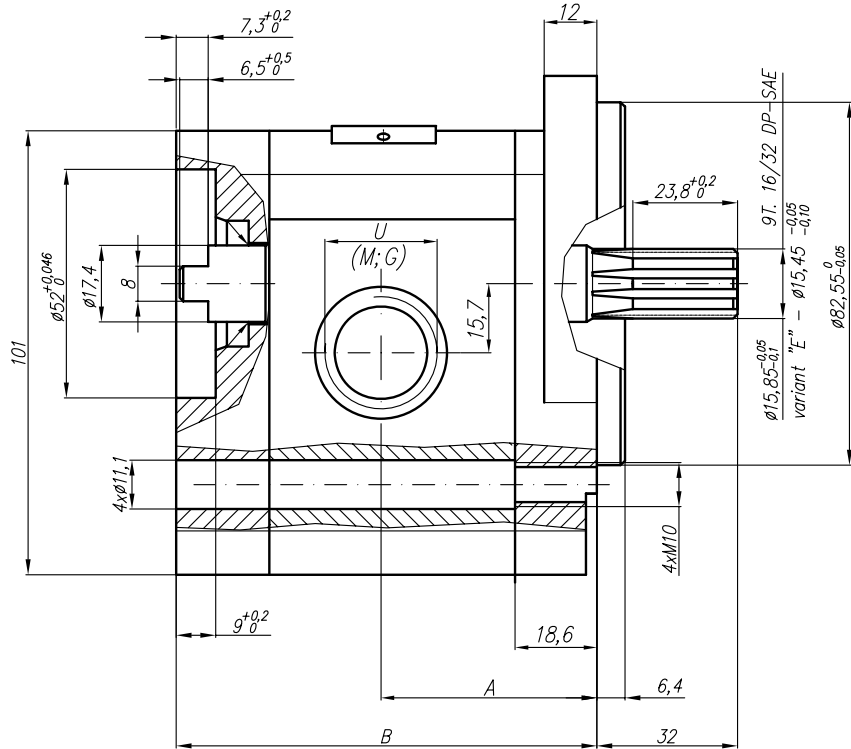
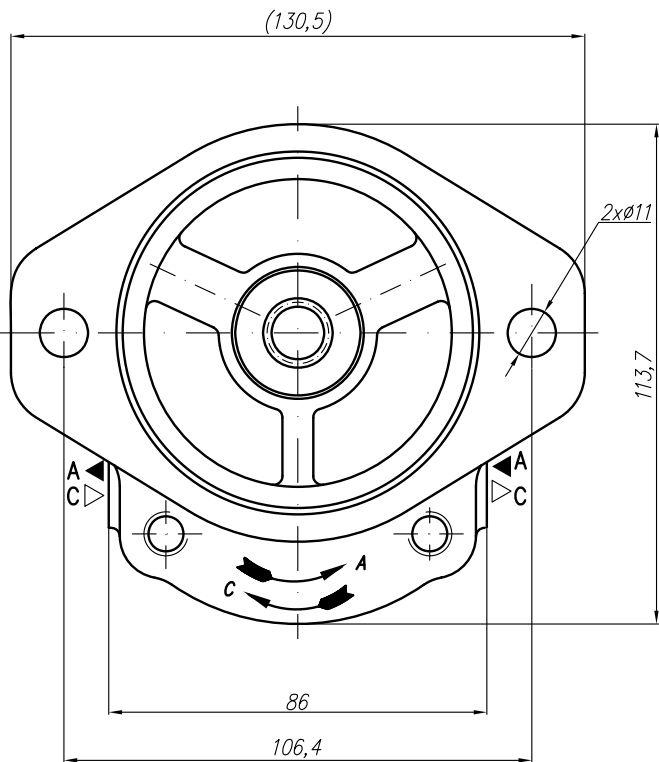




Type	Displacement cm <sup>3</sup> /rev	Flow		Pressure P <sub>nom</sub> bar	max Speed n rpm	Dimension							
		at 1500 rpm l/min	at max rpm l/min			Inlet			Outlet				
						A mm	B mm	M	G	U	M	G	U
20A(C)4,5X500W	4,5	6,14	14,33	250	3500		96						
20A(C)6,3X500W	6,3	8,69	20,29	250	3500		99						
20A(C)8,2X500W	8,2	11,32	26,40	250	3500		102						
20A(C)10X500W	10	13,95	32,55	250	3500		105						
20A(C)11X500W	11,3	15,76	36,78	250	3500		107						
20A(C)12X500W	12	16,92	39,48	250	3500		108,3						
20A(C)14X500W	14	19,95	46,55	250	3500		111,4						
20A(C)15X500W	15	21,60	36,00	250	2500		113						
20A(C)16X500W	16	23,04	38,40	250	2500		114,5						
20A(C)19X500W	19	27,36	45,60	200	2500		119,5						
20A(C)22X500W	22	31,68	42,24	180	2000		124,5						
20A(C)25X500W	25	36,00	48,00	160	2000		129,4						



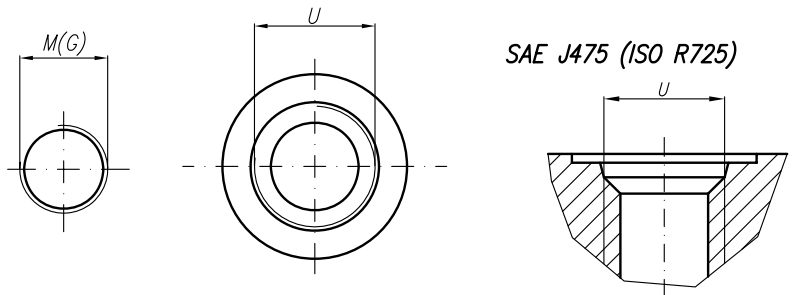




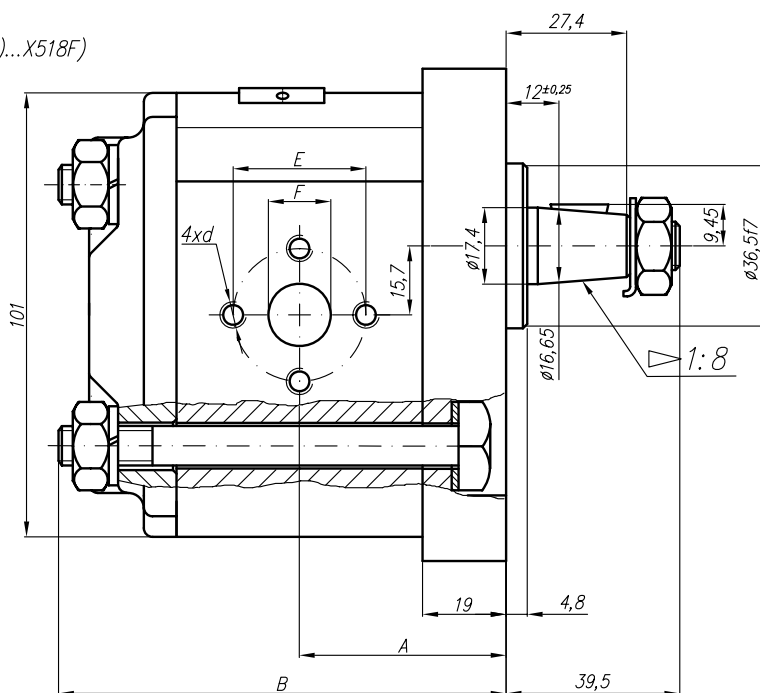
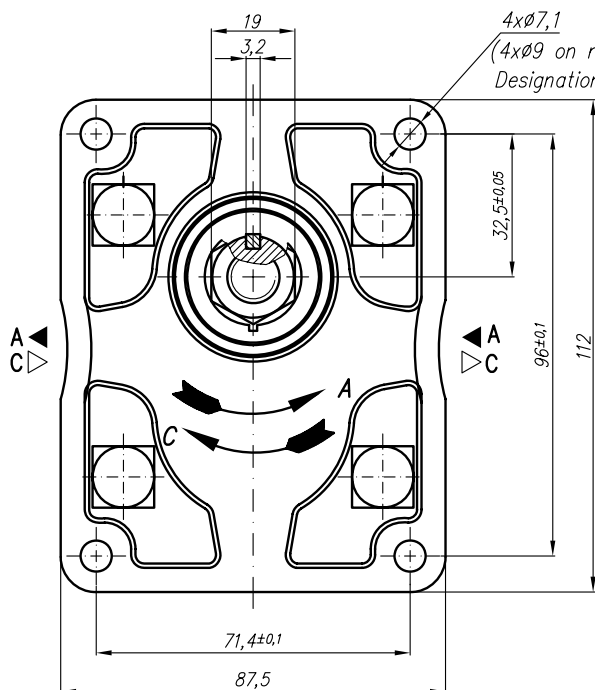
V  
Variants for ports – M;G;U

Designations:

- ...X514M – Metric threads;
- ...X514G – GAS threads;
- ...X514U – SAE UNF threads;

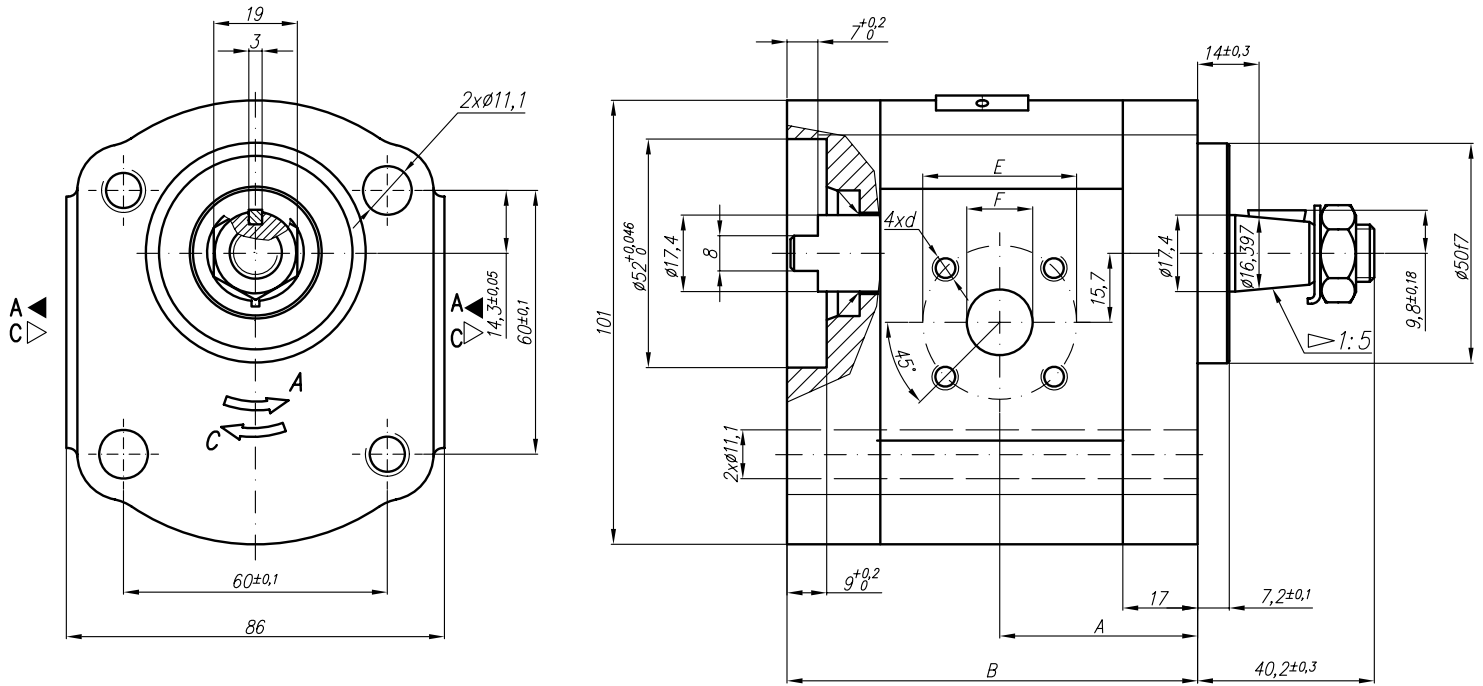


Type	Displacement cm <sup>3</sup> /rev	Flow		Pressure P <sub>nom</sub> bar	max Speed n rpm	Dimension							
		at 1500 rpm l/min	at max rpm l/min			A mm	B mm	Inlet			Outlet		
								M	G	U	M	G	U
20A(C)4,5X514...	4,5	6,14	14,33	250	3500	42	86,8	M20x1,5	G1/2	1 1/16"-12UNF	M16x1,5	G1/2	7/8"-14UNF
20A(C)6,3X514...	6,3	8,69	20,29	250	3500	43,6	86,8						
20A(C)8,2X514...	8,2	11,32	26,40	250	3500	45	86,8						
20A(C)10X514...	10	13,95	32,55	250	3500	46,6	95,8						
20A(C)11X514...	11,3	15,76	36,78	250	3500	47,6	97,9						
20A(C)12X514...	12	16,92	39,48	250	3500	48,2	99,1						
20A(C)14X514...	14	19,95	46,55	250	3500	49,6	102,1						
20A(C)15X514...	15	21,60	36,00	250	2500	50,6	103,7						
20A(C)16X514...	16	23,04	38,40	250	2500	51,6	105,3						
20A(C)19X514...	19	27,36	45,60	200	2500	53,6	110,3						
20A(C)22X514...	22	31,68	42,24	180	2000	56,6	115,3						
20A(C)25X514...	25	36,00	48,00	160	2000	58,8	120,2						

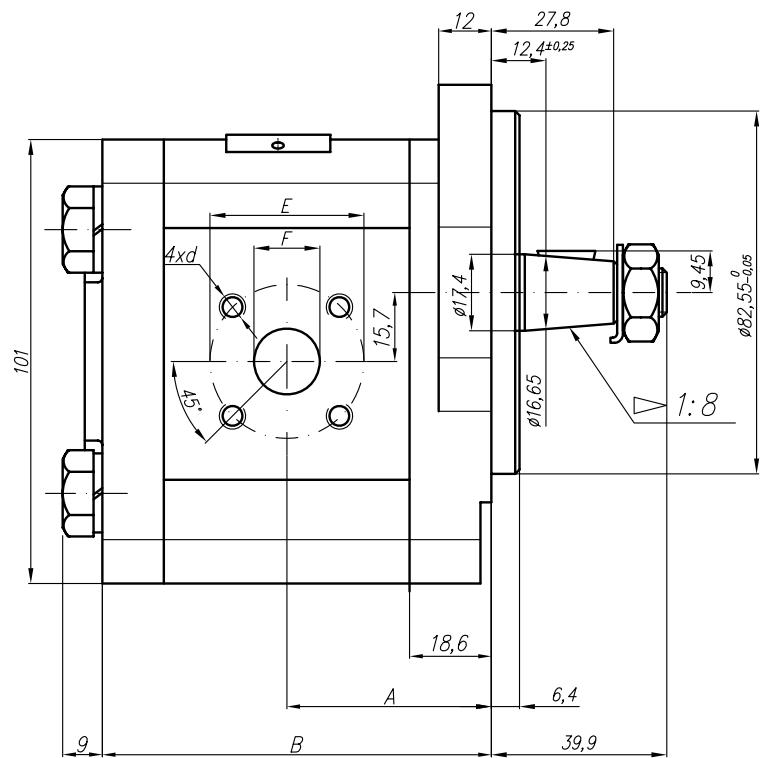
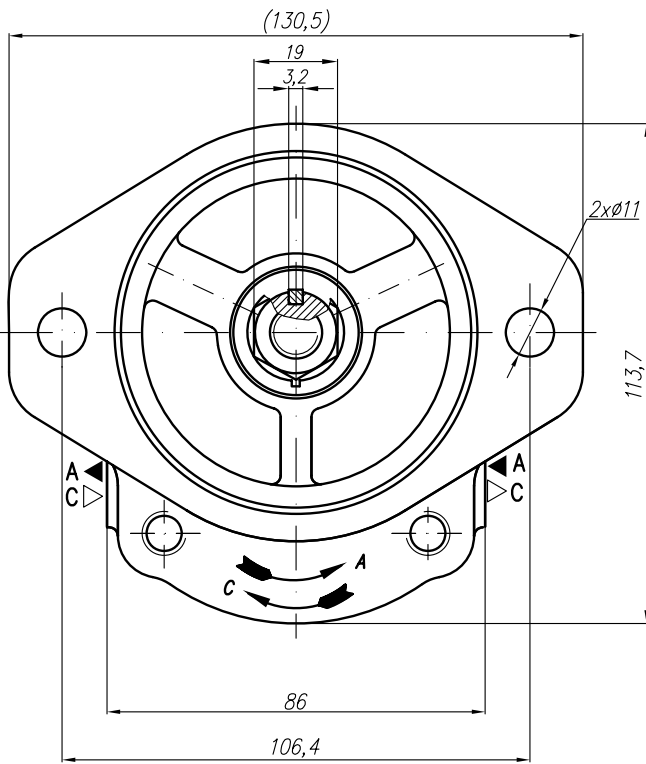


Type		Displacement	Flow		Pressure P <sub>nom</sub>	max Speed n	Dimension										
			at 1500 rpm	at max rpm			A	B	Inlet				Outlet				
"Caproni"	"Plessey"	cm <sup>3</sup> /rev	l/min	l/min	bar	rpm	mm	mm	E	F	d	d	E	F	d	d	
20A(C)4,5X518	A(C)10XP4...S	4,5	6,14	14,33	175	3500	42,5	92,8									
20A(C)6,3X518	A(C)14XP4...S	6,3	8,69	20,29	175	3500	42,5	92,8	30,2	13,1	1/4"-20UNC			13,1			
20A(C)8,2X518	A(C)18XP4...S	8,2	11,32	26,40	175	3500	42,5	92,8									
20A(C)10X518	A(C)22XP4...S	10	13,95	32,55	175	3500	47	101,8									
20A(C)11X518	A(C)25XP4...S	11,3	15,76	36,78	175	3500	48	103,9									
20A(C)12X518	A(C)26XP4...S	12	16,92	39,48	175	3500	48,6	105,1									
20A(C)14X518	A(C)31XP4...S	14	19,95	46,55	175	3500	50	108,2									
20A(C)15X518	A(C)33XP4...S	15	21,60	36,00	175	2500	51	109,7									
20A(C)15X518SS	A(C)33XP4...SS	15	21,60	36,00	140	2500	48	103,8									
20A(C)16X518	A(C)35XP4...S	16	23,04	38,40	175	2500	52	111,4	39,7								
20A(C)17,3X518	A(C)38XP4...S	17,3	24,91	41,52	175	2500	52,8	113,4	19								
20A(C)19X518	A(C)42XP4...S	19	27,36	45,60	175	2500	54	116,3									
20A(C)19X518SS	A(C)42XP4...SS	19	27,36	45,60	105	2500	51,4	110									
20A(C)22X518	A(C)48XP4...S	22	31,68	42,24	175	2000	57	121,3									
20A(C)25X518	A(C)55XP4...S	25	36,00	48,00	160	2000	59,2	126,2					39,7	19	5/16		





Type	Displacement cm <sup>3</sup> /rev	Flow		Pressure P <sub>nom</sub> bar	max Speed n rpm	Dimension							
		at 1500 rpm l/min	at max rpm l/min			A mm	B mm	Inlet			Outlet		
								E	F	d	E	F	d
20A(C)4,5X528	4,5	6,14	14,33	250	3500	40,5	85,2	40	15	M6-6H	35	15	M6-6H
20A(C)6,3X528	6,3	8,69	20,29	250	3500	42	88,2						
20A(C)8,2X528	8,2	11,32	26,40	250	3500	43,5	91,1						
20A(C)10X528	10	13,95	32,55	250	3500	45	94,1						
20A(C)11X528	11,3	15,76	36,78	250	3500	46	96,2						
20A(C)12X528	12	16,92	39,48	250	3500	46,5	97,5						
20A(C)14X528	14	19,95	46,55	250	3500	48	100,6						
20A(C)15X528	15	21,60	36,00	250	2500	49	102,1						
20A(C)16X528	16	23,04	38,40	250	2500	50	103,8						
20A(C)19X528	19	27,36	45,60	200	2500	52	108,7						
20A(C)22X528	22	31,68	42,24	180	2000	55	113,7						
20A(C)25X528	25	36,00	48,00	160	2000	57,2	118,5						



Type	Displacement cm <sup>3</sup> /rev	Flow		Pressure P <sub>nom</sub> bar	max Speed n rpm	Dimension							
		at 1500 rpm l/min	at max rpm l/min			A mm	B mm	Inlet			Outlet		
								E	F	d	E	F	d
20A(C)4,5X529	4,5	6,14	14,33	250	3500	42	79,6	40	15	M6-6H	35	15	M6-6H
20A(C)6,3X529	6,3	8,69	20,29	250	3500	43,6	82,6						
20A(C)8,2X529	8,2	11,32	26,40	250	3500	45	85,6						
20A(C)10X529	10	13,95	32,55	250	3500	46,6	88,7						
20A(C)11X529	11,3	15,76	36,78	250	3500	47,6	90,7						
20A(C)12X529	12	16,92	39,48	250	3500	48,2	91,9						
20A(C)14X529	14	19,95	46,55	250	3500	49,6	95						
20A(C)15X529	15	21,60	36,00	250	2500	50,6	96,5						
20A(C)16X529	16	23,04	38,40	250	2500	51,6	98,2						
20A(C)19X529	19	27,36	45,60	200	2500	53,6	103,1						
20A(C)22X529	22	31,68	42,24	180	2000	56,6	108,1						
20A(C)25X529	25	36,00	48,00	160	2000	58,8	113						

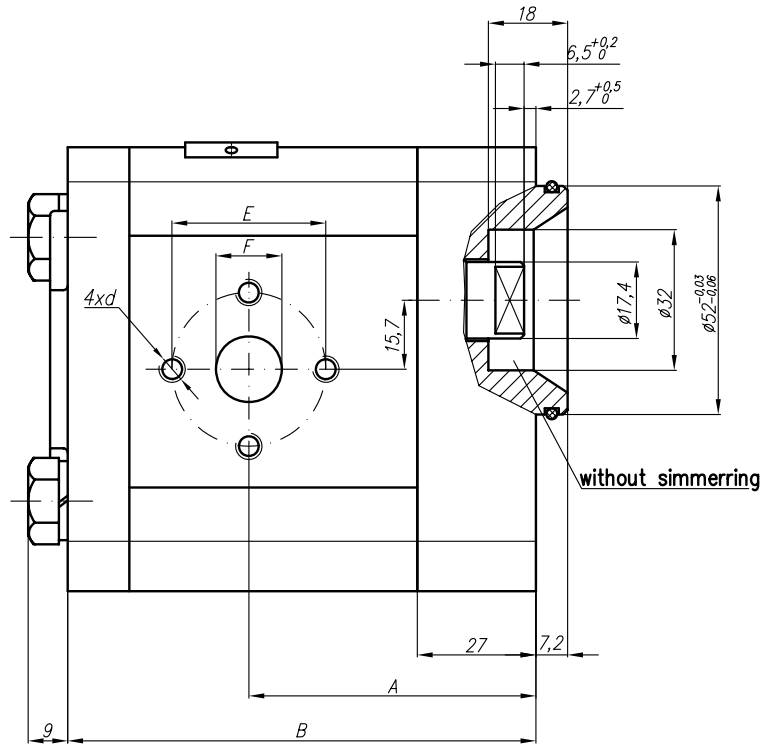
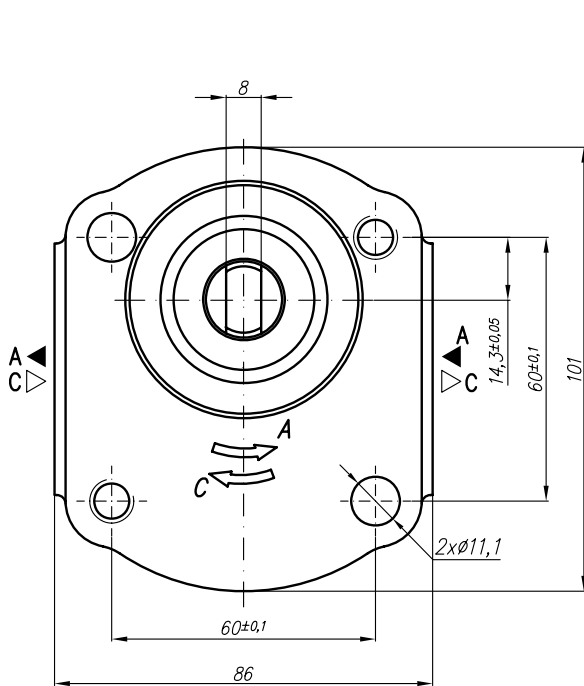




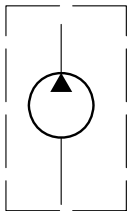




Designed as a II section of tandem pump 22A(C)...X539S/...X538S.



Symbol



Type	Displacement cm <sup>3</sup> /rev	Flow		Pressure P <sub>nom</sub> bar	max Speed n rpm	Dimension							
		at 1500 rpm l/min	at max rpm l/min			A mm	B mm	Inlet			Outlet		
								E	F	d	E	F	d
20A(C)4,5X538S	4,5	6,14	14,33	200	3500								
20A(C)6,3X538S	6,3	8,69	20,29	200	3500								
20A(C)8,2X538S	8,2	11,32	26,40	200	3500								
20A(C)10X538S	10	13,95	32,55	200	3500								
20A(C)11X538S	11,3	15,76	36,78	200	3500								
20A(C)12X538S	12	16,92	39,48	200	3500								
20A(C)14X538S	14	19,95	46,55	200	3500								
20A(C)15X538S	15	21,60	36,00	200	2500								
20A(C)16X538S	16	23,04	38,40	200	2500	65,3	106,5						
20A(C)19X538S	19	27,36	45,60	200	2500			39,7	19				
20A(C)22X538S	22	31,68	42,24	180	2000					5/16"-18UNC			
20A(C)25X538S	25	36,00	48,00	160	2000						30,2	14,2	1/4"-20UNC

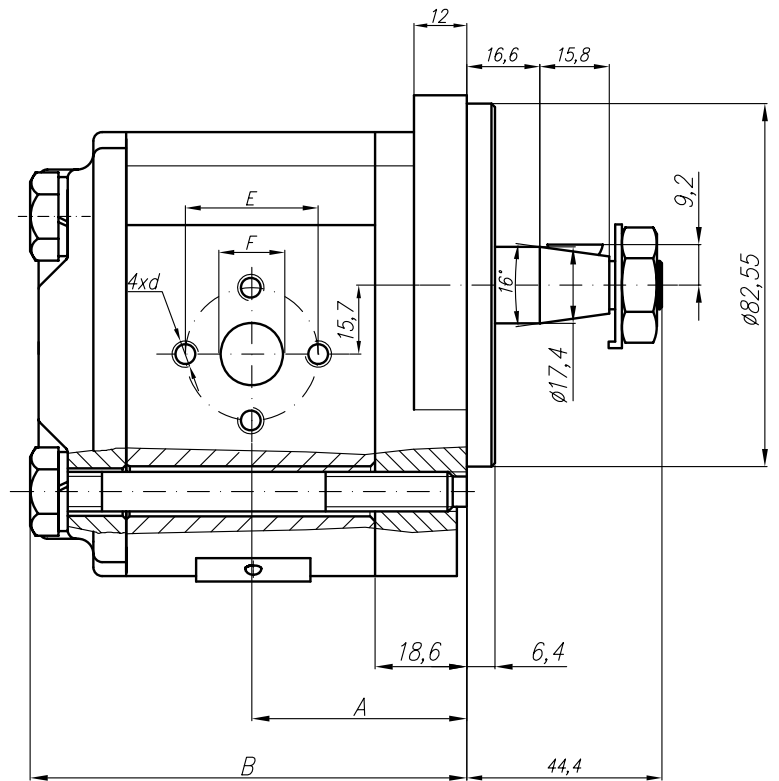
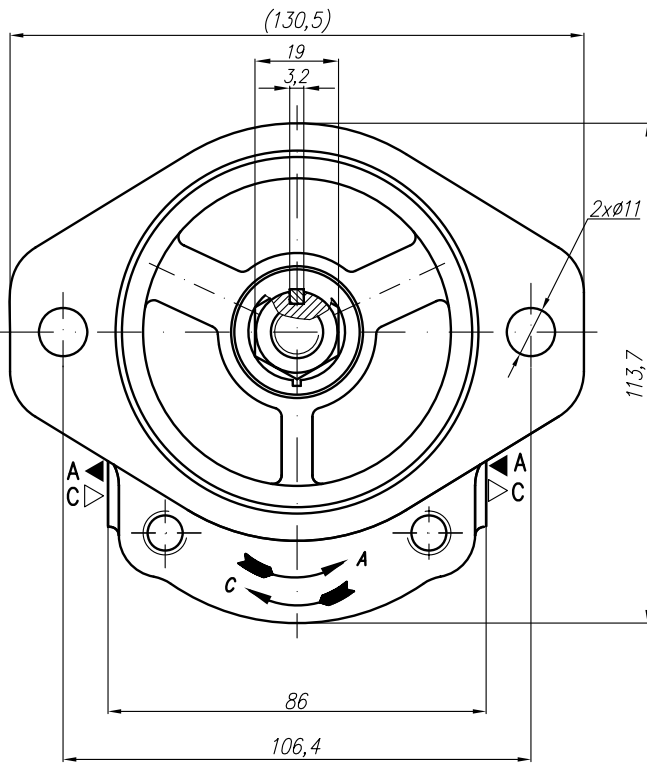










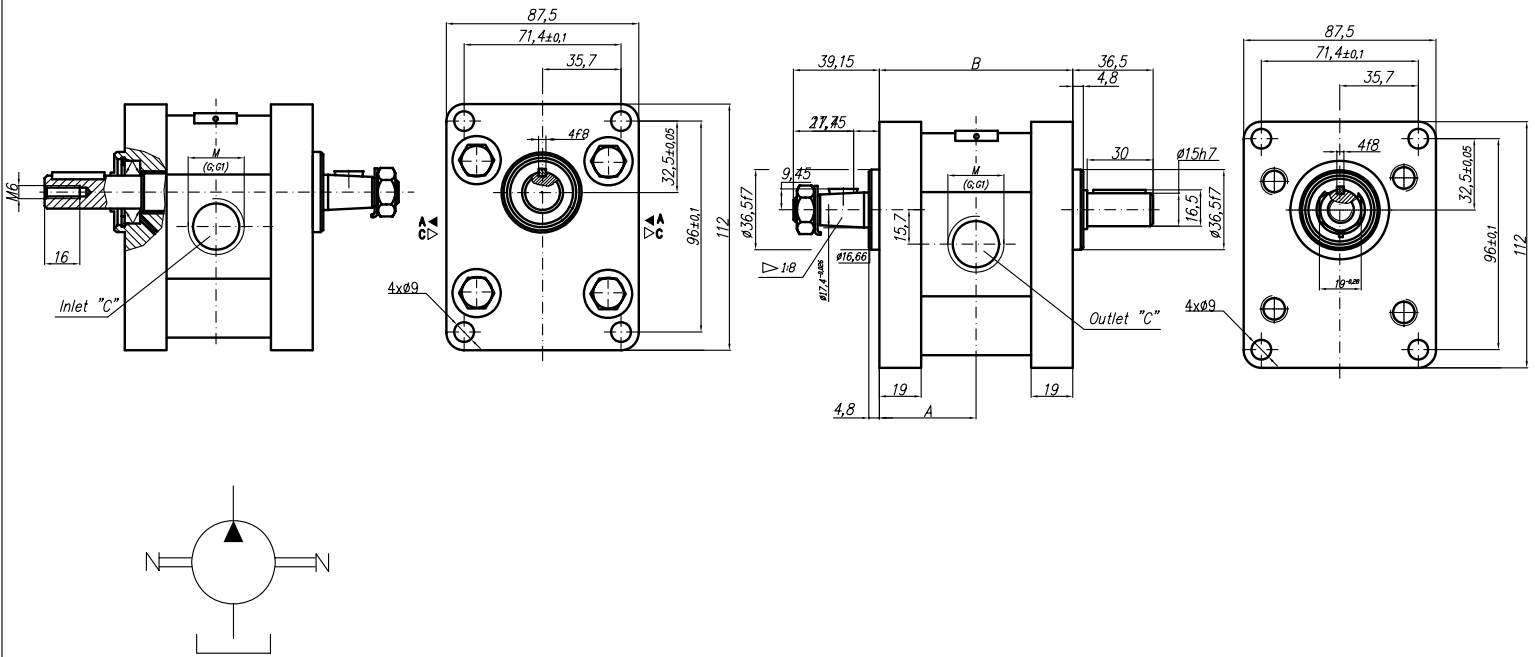


Type	Displacement cm <sup>3</sup> /rev	Flow		Pressure P <sub>nom</sub> bar	max Speed n rpm	Dimension							
		at 1500 rpm l/min	at max rpm l/min			A mm	B mm	Inlet			Outlet		
								E	F	d	E	F	d
20A(C)4,5X541	4,5	6,14	14,33	250	3500								
20A(C)6,3X541	6,3	8,69	20,29	250	3500			30,2	13,1	M6-6H		13,1	
20A(C)8,2X541	8,2	11,32	26,40	250	3500								
20A(C)10X541	10	13,95	32,55	250	3500								
20A(C)11X541	11,3	15,76	36,78	250	3500	48	106						
20A(C)12X541	12	16,92	39,48	250	3500						30,2		
20A(C)14X541	14	19,95	46,55	250	3500							14,2	M6-6H
20A(C)15X541	15	21,60	36,00	250	2500			39,7	19	M8-6H			
20A(C)16X541	16	23,04	38,40	250	2500								
20A(C)19X541	19	27,36	45,60	200	2500								
20A(C)22X541	22	31,68	42,24	180	2000								
20A(C)25X541	25	36,00	48,00	160	2000						39,7	19	M8









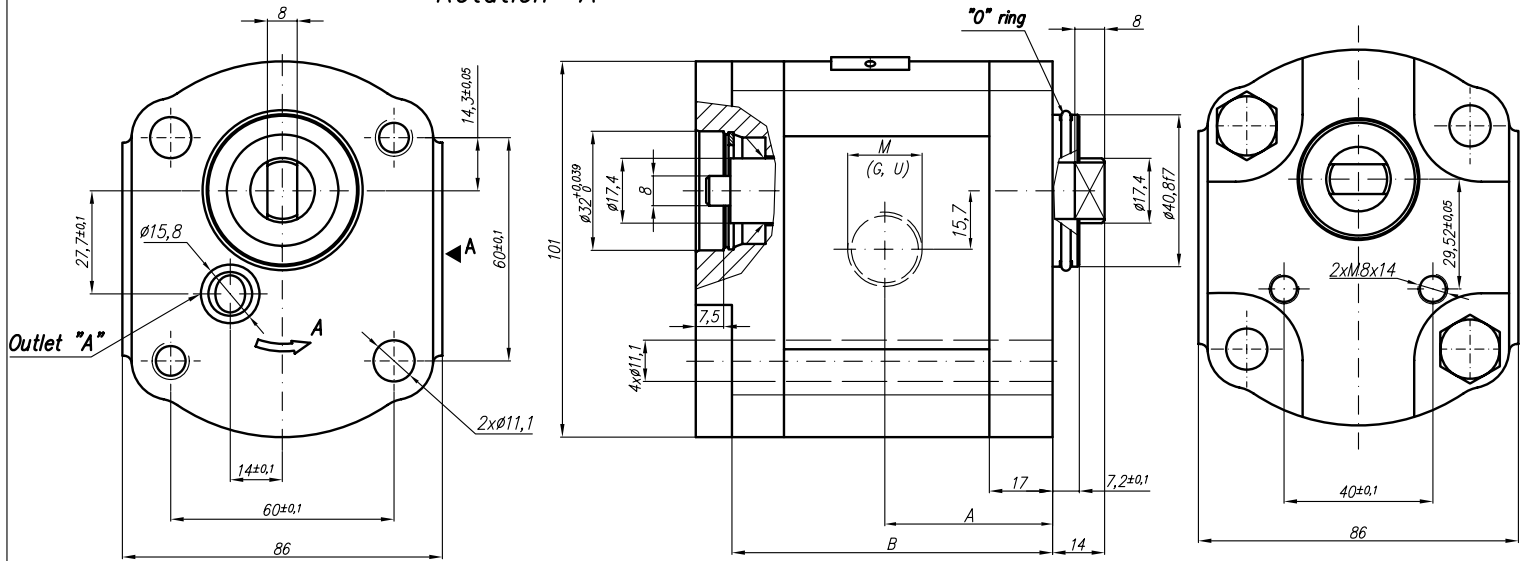
Type	Displacement cm <sup>3</sup> /rev	Flow		Pressure P <sub>nom</sub> bar	max Speed n rpm	Dimension							
		at 1500 rpm l/min	at max rpm l/min			Inlet			Outlet				
						A mm	B mm	M	G	U	M	G	U
20A(C)4,5Y566D...	4,5	6,14	14,33	250	3500	41,8	85	M20x1,5	G1/2	1 1/16"-12UNF	M16x1,5	G1/2	7/8"-14UNF
20A(C)6,3Y566D...	6,3	8,69	20,29	250	3500	43	88						
20A(C)8,2Y566D...	8,2	11,32	26,40	250	3500	45,1	90,9						
20A(C)10Y566D...	10	13,95	32,55	250	3500	49,5	94						
20A(C)11Y566D...	11,3	15,76	36,78	250	3500	49,5	96						
20A(C)12Y566D...	12	16,92	39,48	250	3500	49,5	97,3						
20A(C)14Y566D...	14	19,95	46,55	250	3500	49,5	100,4						
20A(C)15Y566D...	15	21,60	36,00	250	2500	49,5	102						
20A(C)16Y566D...	16	23,04	38,40	250	2500	49,5	103,5						
20A(C)19Y566D...	19	27,36	45,60	200	2500	49,5	108,5						
20A(C)22Y566D...	22	31,68	42,24	180	2000	57	113,5						
20A(C)25Y566D...	25	36,00	48,00	160	2000	59,2	118,4						



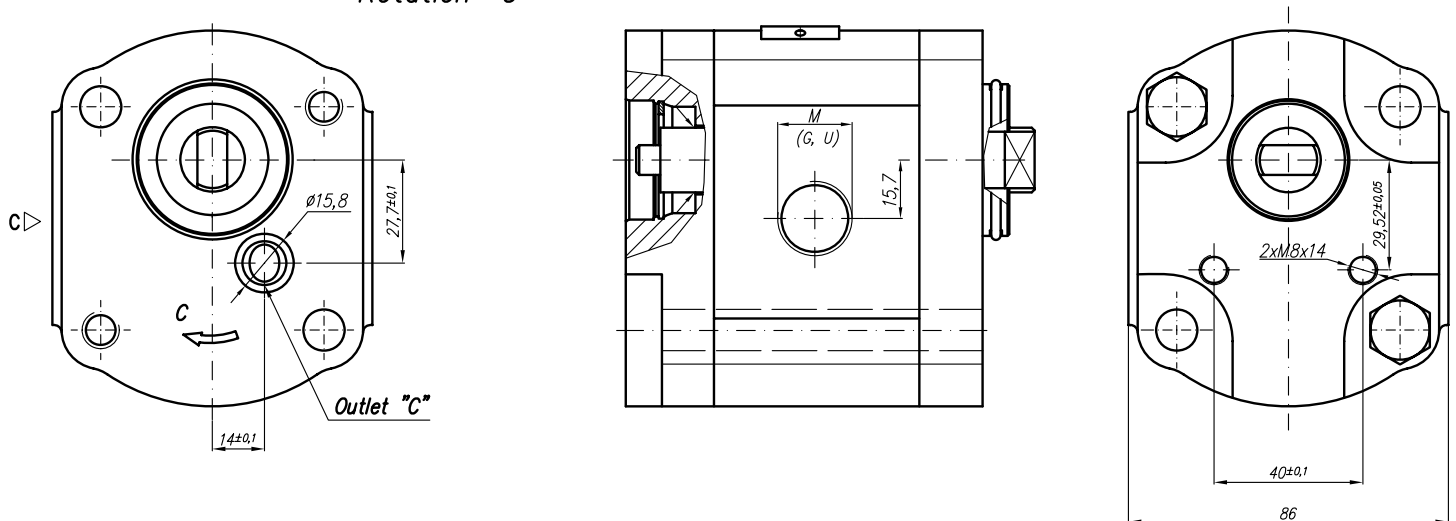


Designed as a first section of tandem pumps group 21A(C)...X573.../...

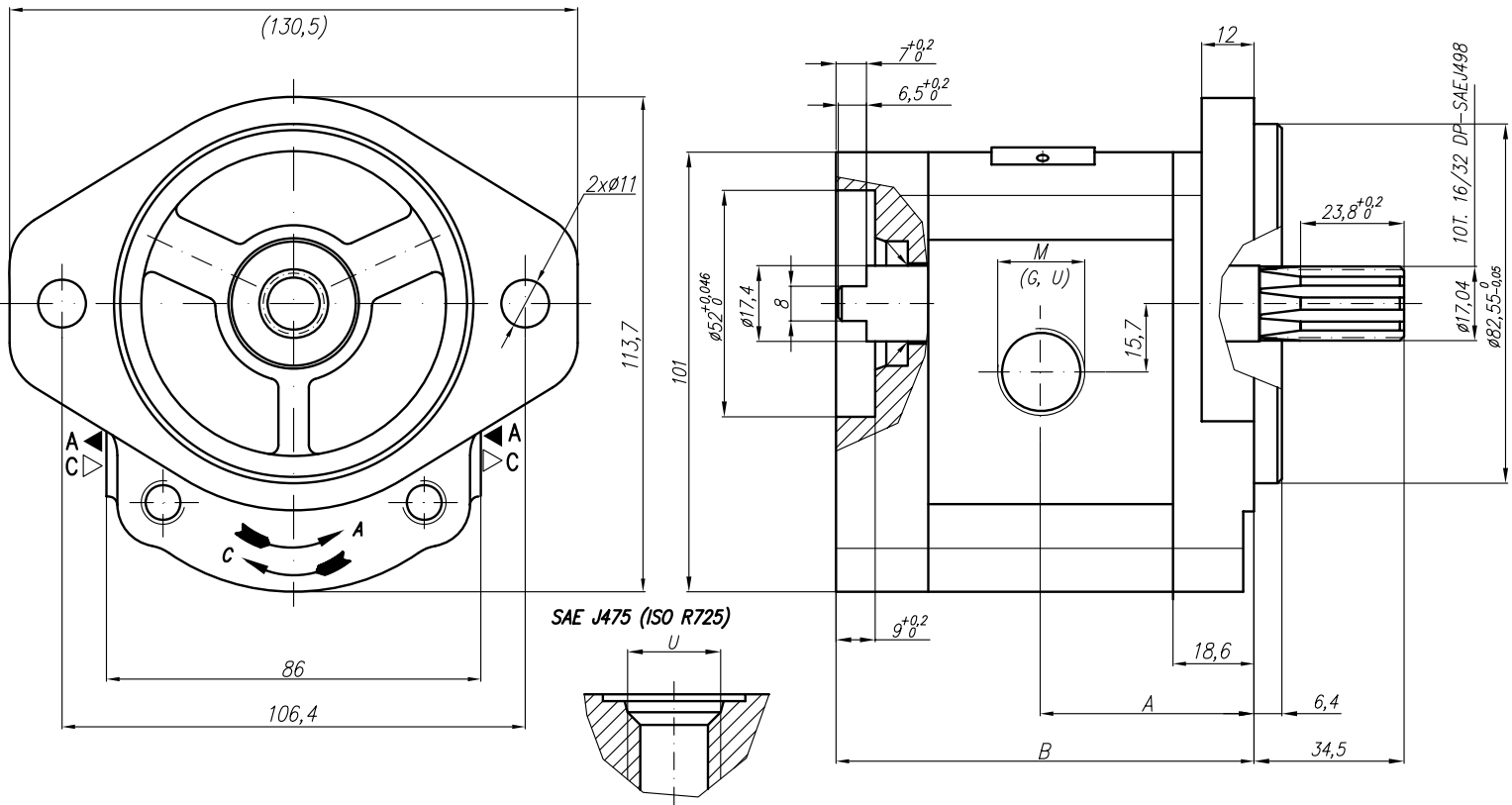
Rotation "A"



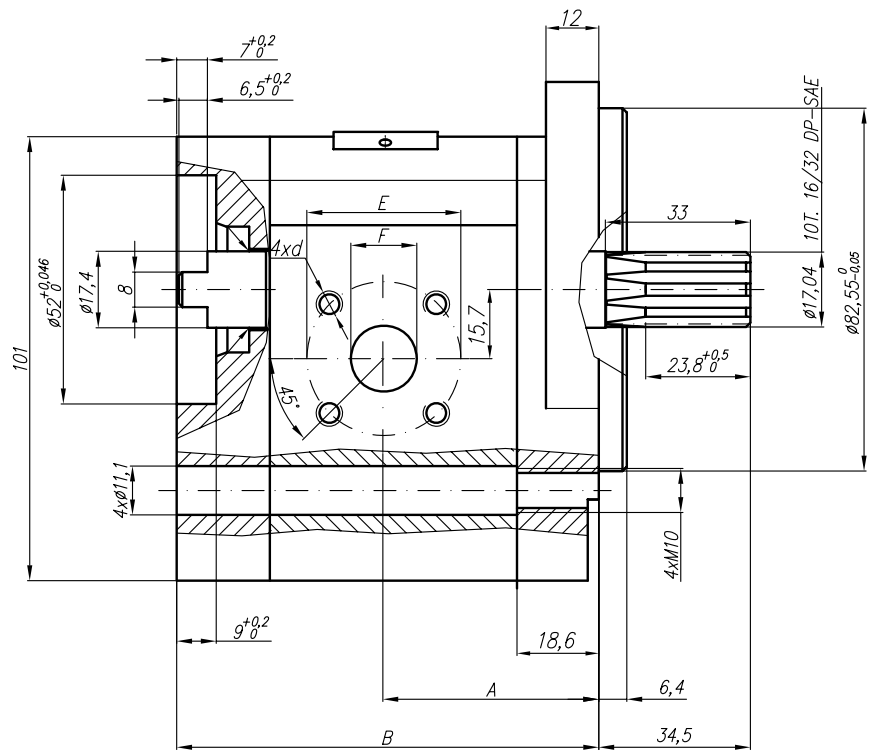
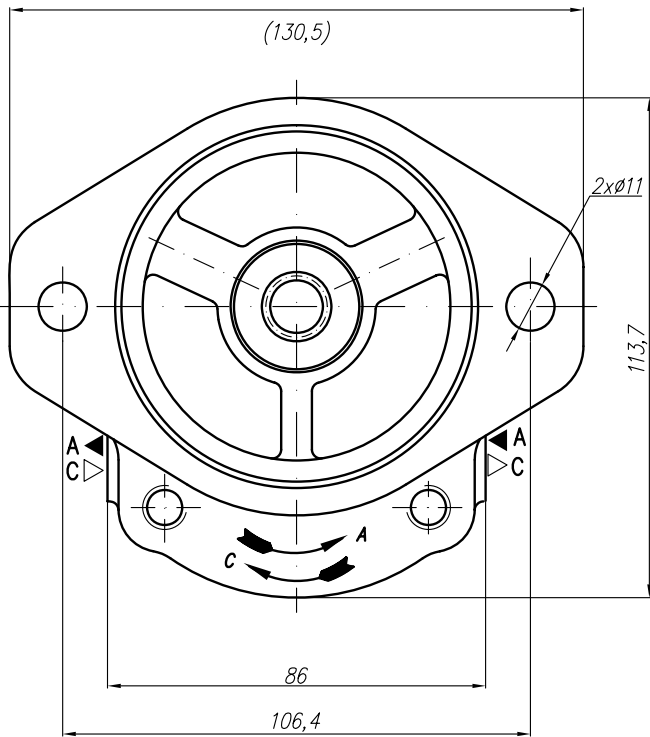
Rotation "C"



Type	Displacement cm <sup>3</sup> /rev	Flow		Pressure P <sub>nom</sub> bar	max Speed n rpm	Dimension								
		at 1500 rpm l/min	at max rpm l/min			A mm	B mm	Inlet			Outlet			
								M	G	U	M	G	U	
20A(C)4,5X573...	4,5	6,14	14,33	250	3500	39,8	87,7	M20x1,5	G1/2	1 1/16"-12UNF				
20A(C)6,3X573...	6,3	8,69	20,29	250	3500	41	90,7							
20A(C)8,2X573...	8,2	11,32	26,40	250	3500	43,1	93,6							
20A(C)10X573...	10	13,95	32,55	250	3500	47,5	95,6		G3/4					
20A(C)11X573...	11,3	15,76	36,78	250	3500	47,5	98,7							
20A(C)12X573...	12	16,92	39,48	250	3500	47,5	100							
20A(C)14X573...	14	19,95	46,55	250	3500	47,5	103,1							
20A(C)15X573...	15	21,60	36,00	250	2500	47,5	104,6							
20A(C)16X573...	16	23,04	38,40	250	2500	47,5	106,2							
20A(C)19X573...	19	27,36	45,60	200	2500	47,5	112,2							
20A(C)22X573...	22	31,68	42,24	180	2000	55	116,2							
20A(C)25X573...	25	36,00	48,00	160	2000	57,2	121,1							



Type	Displacement cm <sup>3</sup> /rev	Flow		Pressure P <sub>nom</sub> bar	max Speed n rpm	Dimension							
		at 1500 rpm l/min	at max rpm l/min			A mm	B mm	Inlet			Outlet		
								M	G	U	M	G	U
20A(C)4,5X574...	4,5	6,14	14,33	250	3500	41,4	86,8	M20x1,5	G1/2	1 1/16"-12UNF	M16x1,5	G1/2	7/8"-14UNF
20A(C)6,3X574...	6,3	8,69	20,29	250	3500	42,6	89,8						
20A(C)8,2X574...	8,2	11,32	26,40	250	3500	44,7	92,7						
20A(C)10X574...	10	13,95	32,55	250	3500	49,1	95,7						
20A(C)11X574...	11,3	15,76	36,78	250	3500	49,1	97,8						
20A(C)12X574...	12	16,92	39,48	250	3500	49,1	99,1						
20A(C)14X574...	14	19,95	46,55	250	3500	49,1	102,2						
20A(C)15X574...	15	21,60	36,00	250	2500	49,1	103,7						
20A(C)16X574...	16	23,04	38,40	250	2500	49,1	105,3						
20A(C)19X574...	19	27,36	45,60	200	2500	49,1	110,3						
20A(C)22X574...	22	31,68	42,24	180	2000	56,6	115,3						
20A(C)25X574...	25	36,00	48,00	160	2000	58,8	120,2						
20A(C)14X574H...	14	20,16	47,04	250	3500	54,3	112,5	M20x1,5	G3/4	1 1/16"-12UNF	M16x1,5	G1/2	7/8"-14UNF
20A(C)15X574H...	15	21,60	43,20	250	3000	55,6	114						
20A(C)16X574H...	16	23,04	46,08	250	3000	56,5	115,6						
20A(C)17,3X574H...	17,3	24,91	49,82	230	3000	57,6	117,7						
20A(C)18,2X574H...	18,2	26,21	52,42	210	3000	58,4	119,3						
20A(C)19X574H...	19	27,36	54,72	200	3000	59	120,6						
20A(C)22X574H...	22	31,68	52,80	180	2500	61,5	125,6						
20A(C)25X574H...	25	36,00	60,00	160	2500	63,9	130,5						
20A(C)28X574H...	28	40,32	67,20	130	2500	66,4	135,5						
20A(C)32X574H...	32	46,08	61,44	120	2000	69,6	141,6						
20A(C)36X574H...	36	51,84	69,12	100	2000	72,8	148,2						

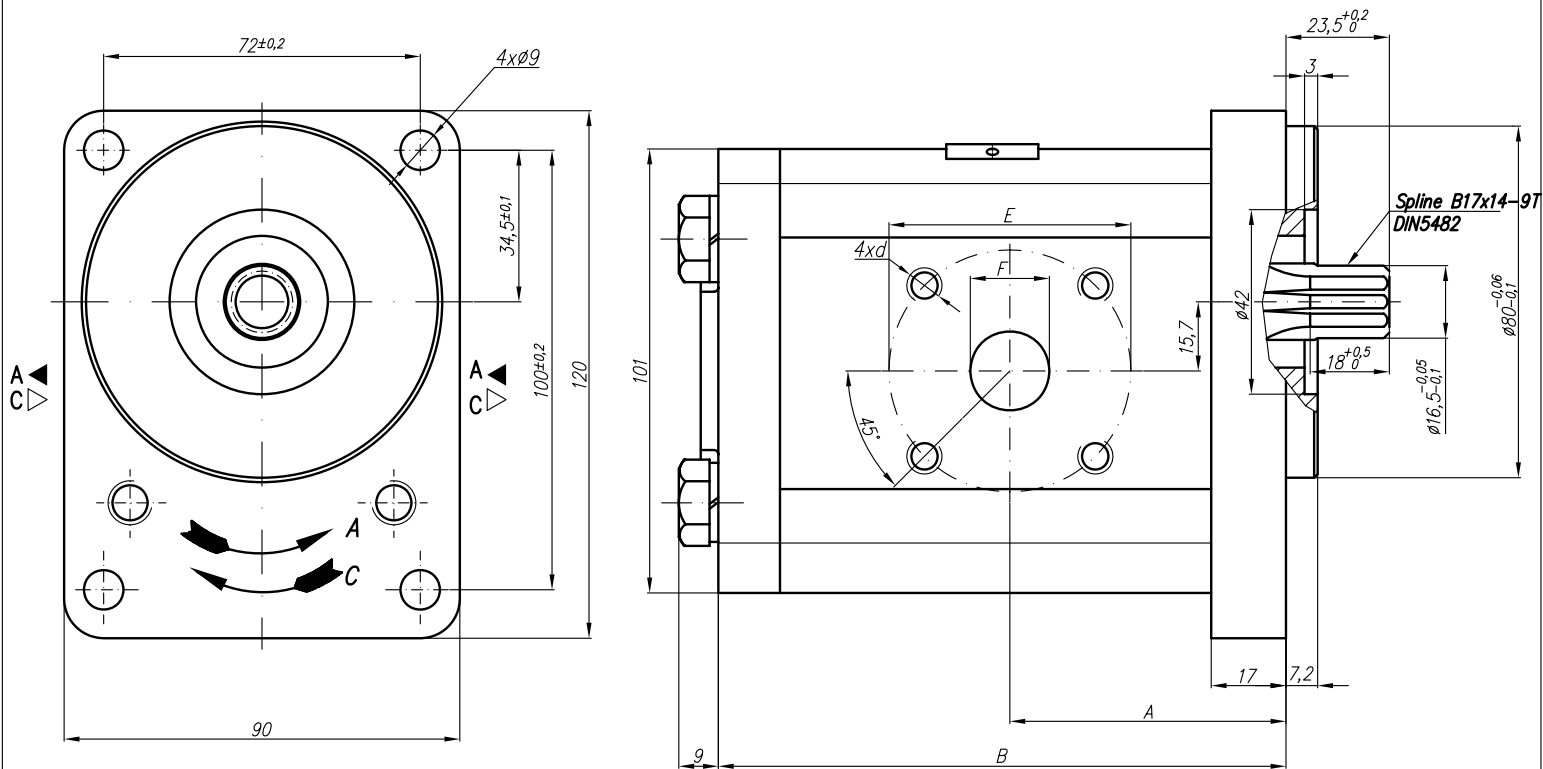


Type	Displacement cm <sup>3</sup> /rev	Flow		Pressure P <sub>nom</sub> bar	max Speed n rpm	Dimension							
		at 1500 rpm l/min	at max rpm l/min			A mm	B mm	Inlet			Outlet		
20A(C)4,5X577	4,5	6,14	14,33	250	3500	41,4	86,8	40	20	M6-6H	35	15	M6-6H
20A(C)6,3X577	6,3	8,69	20,29	250	3500	42,6	89,8						
20A(C)8,2X577	8,2	11,32	26,40	250	3500	44,7	92,7						
20A(C)10X577	10	13,95	32,55	250	3500	49,1	95,7						
20A(C)11X577	11,3	15,76	36,78	250	3500	49,1	97,8						
20A(C)12X577	12	16,92	39,48	250	3500	49,1	99,1						
20A(C)14X577	14	19,95	46,55	250	3500	49,1	102,2						
20A(C)15X577	15	21,60	36,00	250	2500	49,1	103,7						
20A(C)16X577	16	23,04	38,40	250	2500	49,1	105,3						
20A(C)19X577	19	27,36	45,60	200	2500	49,1	110,3						
20A(C)22X577	22	31,68	42,24	180	2000	56,6	115,3						
20A(C)25X577	25	36,00	48,00	160	2000	58,8	120,2						

20A(C)14X577H	14	20,16	47,04	250	3500	54,3	112,5	40	20	M6-6H	35	15	M6-6H
20A(C)15X577H	15	21,60	43,20	250	3000	55,6	114						
20A(C)16X577H	16	23,04	46,08	250	3000	56,5	115,6						
20A(C)17,3X577H	17,3	24,91	49,82	230	3000	57,6	117,7						
20A(C)18,2X577H	18,2	26,21	52,42	210	3000	58,4	119,3						
20A(C)19X577H	19	27,36	54,72	200	3000	59	120,6						
20A(C)22X577H	22	31,68	52,80	180	2500	61,5	125,6						
20A(C)25X577H	25	36,00	60,00	160	2500	63,9	130,5						
20A(C)28X577H	28	40,32	67,20	130	2500	66,4	135,5						
20A(C)32X577H	32	46,08	61,44	120	2000	69,6	141,6						
20A(C)36X577H	36	51,84	69,12	100	2000	72,8	148,2						

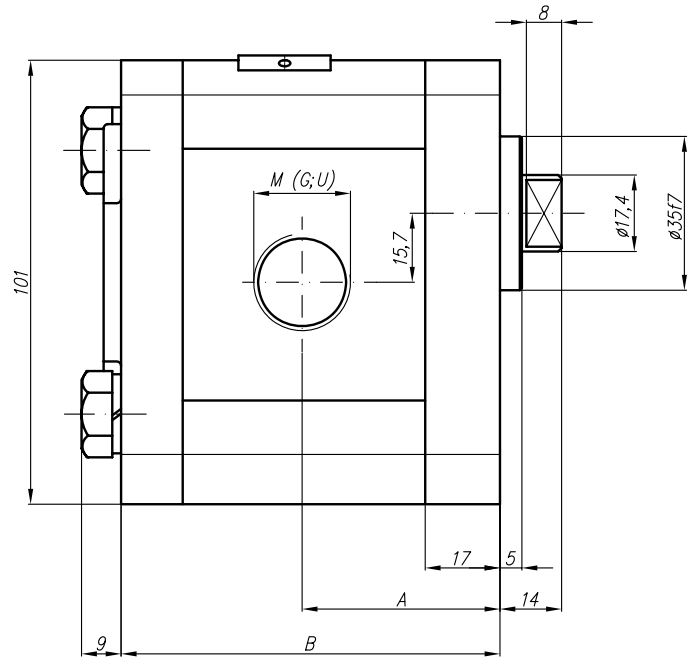
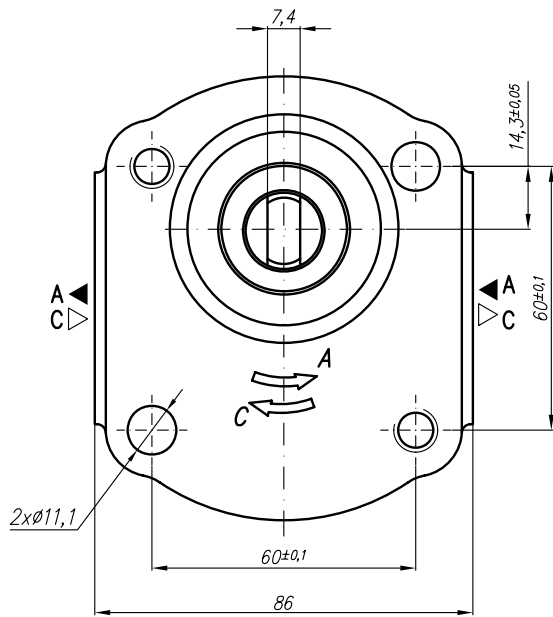






Type	Displacement cm <sup>3</sup> /rev	Flow		Pressure P <sub>nom</sub> bar	max Speed n rpm	Dimension							
		at 1500 rpm l/min	at max rpm l/min			A mm	B mm	Inlet			Outlet		
								E	F	d	E	F	d
20A(C)14X581	14	20,16											
20A(C)15X581	15	21,60											
20A(C)16X581	16	23,04											
20A(C)17,3X581	17,3	24,91											
20A(C)18,2X581	18,2	26,21											
20A(C)19X581	19	27,36											
20A(C)22X581	22	31,68											
20A(C)25X581	25	36,00											
20A(C)28X581	28	40,32	67,20	50	2500			55	29	M8-6H	55	18	M8-6H
20A(C)32X581	32	46,08	61,44	50	2000								
20A(C)36X581	36	51,84	69,12	50	2000	62,8	129,1						

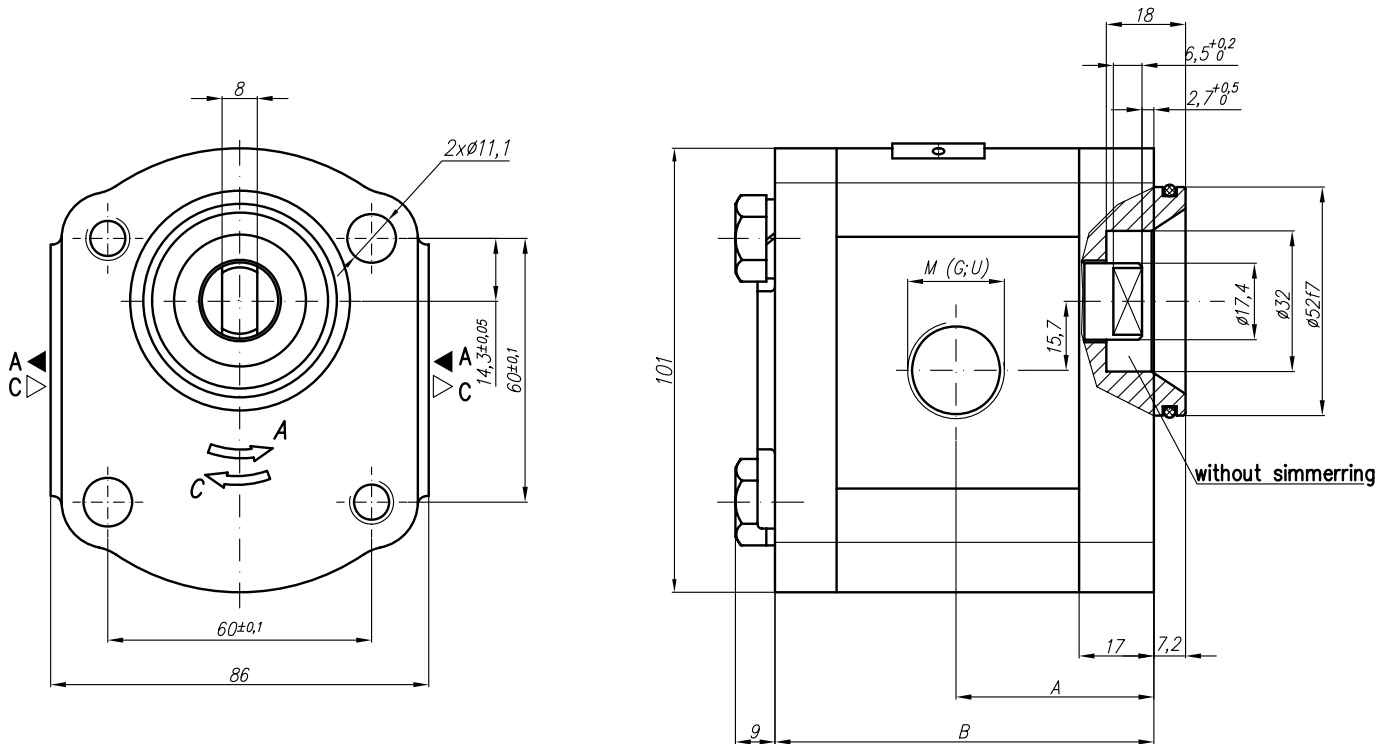




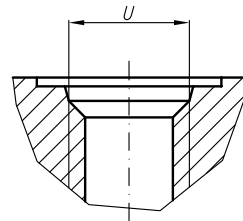
Type	Displacement cm <sup>3</sup> /rev	Flow		Pressure P <sub>nom</sub> bar	max Speed n rpm	Dimension							
		at 1500 rpm l/min	at max rpm l/min			A mm	B mm	Inlet			Outlet		
								M	G	U	M	G	U
20A(C)4,5X583...	4,5	6,14	14,33	250	3500	37,3	75,1	M18x1,5			M18x1,5		
20A(C)6,3X583...	6,3	8,69	20,29	250	3500	38,6	78						
20A(C)8,2X583...	8,2	11,32	26,40	250	3500	40,6	78						
20A(C)10X583...	10	13,95	32,55	250	3500	45	87						
20A(C)11X583...	11,3	15,76	36,78	250	3500	45	89,1						
20A(C)12X583...	12	16,92	39,48	250	3500	45	90,3						
20A(C)14X583...	14	19,95	46,55	250	3500								
20A(C)15X583...	15	21,60	36,00	250	2500								
20A(C)16X583...	16	23,04	38,40	250	2500								
20A(C)19X583...	19	27,36	45,60	200	2500								
20A(C)22X583...	22	31,68	42,24	180	2000								
20A(C)25X583...	25	36,00	48,00	160	2000								



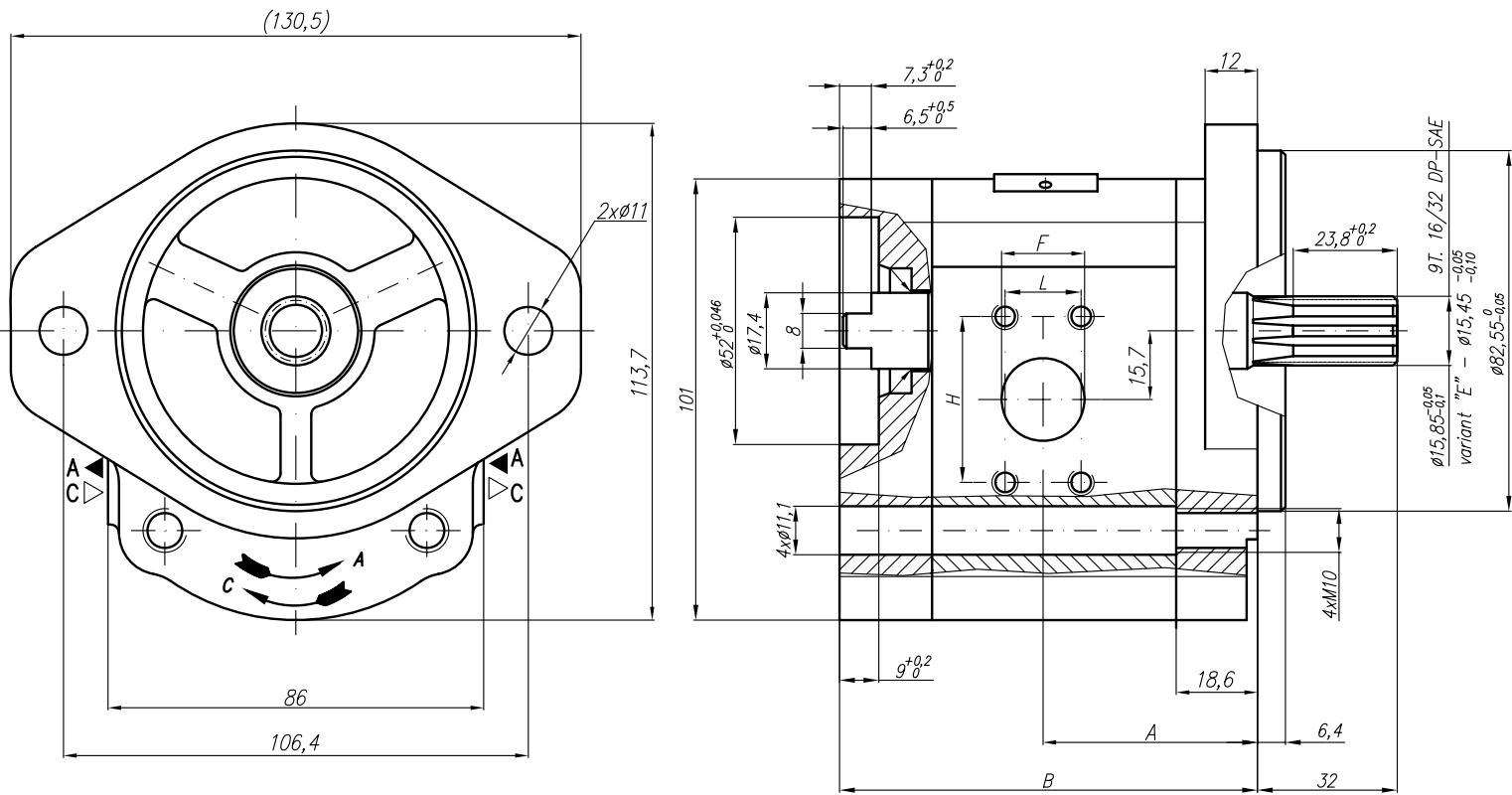




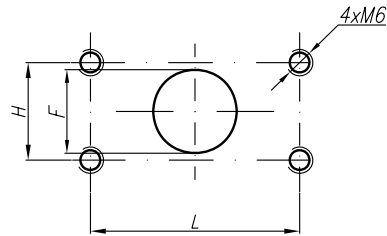
SAE J475 (ISO R725)



Type	Displacement cm <sup>3</sup> /rev	Flow		Pressure P <sub>nom</sub> bar	max Speed n rpm	Dimension							
		at 1500 rpm l/min	at max rpm l/min			A mm	B mm	Inlet			Outlet		
								M	G	U	M	G	U
20A(C)4,5X588...	4,5	6,14	14,33	250	3500	39,8	78	M20x1,5	G1/2	1 1/16"-12UNF	M16x1,5	G1/2	7/8"-14UNF
20A(C)6,3X588...	6,3	8,69	20,29	250	3500	41	81						
20A(C)8,2X588...	8,2	11,32	26,40	250	3500	43,1	83,9						
20A(C)10X588...	10	13,95	32,55	250	3500	47,5	87						
20A(C)11X588...	11,3	15,76	36,78	250	3500	47,5	89,1						
20A(C)12X588...	12	16,92	39,48	250	3500	47,5	90,3						
20A(C)14X588...	14	19,95	46,55	250	3500	47,5	93,4						
20A(C)15X588...	15	21,60	36,00	250	2500	47,5	95						
20A(C)16X588...	16	23,04	38,40	250	2500	47,5	96,6						
20A(C)19X588...	19	27,36	45,60	200	2500	47,5	101,5						
20A(C)22X588...	22	31,68	42,24	180	2000	55	106,5						
20A(C)25X588...	25	36,00	48,00	160	2000	57,2	111,4						



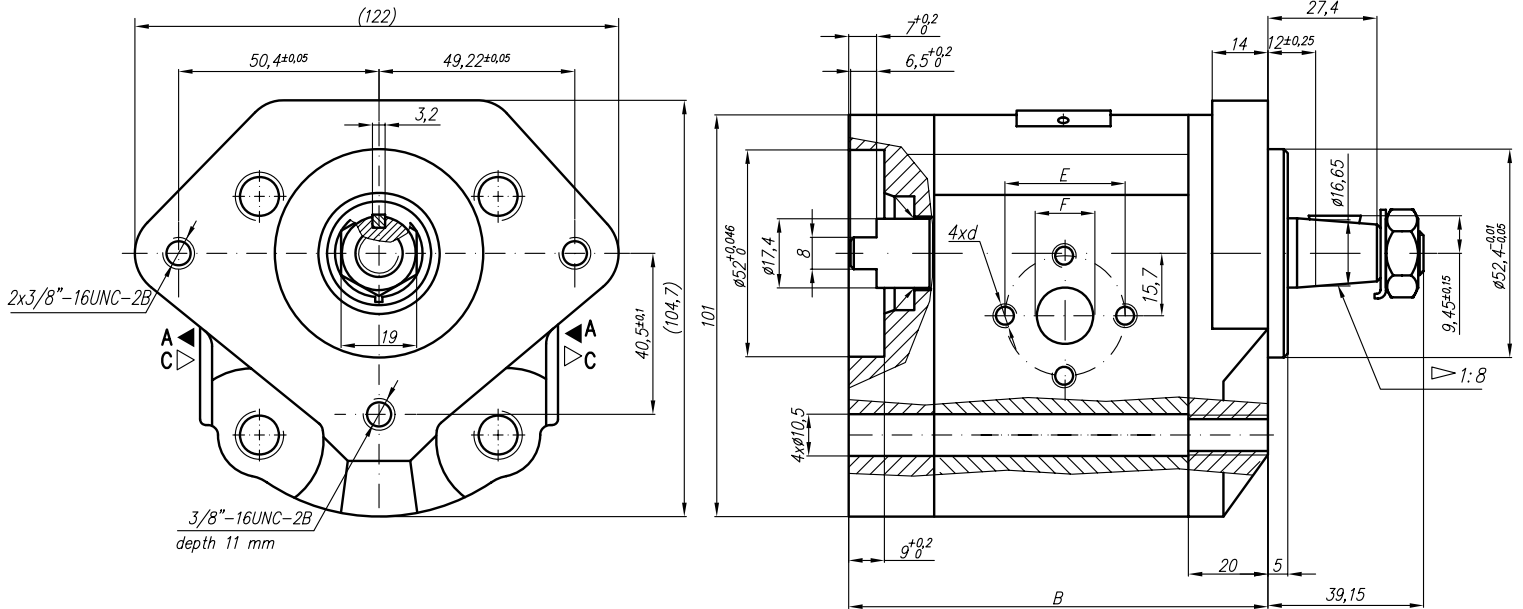
At pump displacement above 10ccm the Inlet port is rotated:



Type	Displacement cm <sup>3</sup> /rev	Flow		Pressure P <sub>nom</sub> bar	max Speed n rpm	Dimension							
		at 1500 rpm l/min	at max rpm l/min			Inlet			Outlet				
						A mm	B mm	H mm	L mm	F mm	H mm	L mm	F mm
20A(C)4,5X590	4,5	6,14	14,33	250	3500								
20A(C)6,3X590	6,3	8,69	20,29	250	3500			38,1	17,4	15			
20A(C)8,2X590	8,2	11,32	26,40	250	3500								
20A(C)10X590	10	13,95	32,55	250	3500	43,5	95,7						
20A(C)11X590	11,3	15,76	36,78	250	3500								
20A(C)12X590	12	16,92	39,48	250	3500								
20A(C)14X590	14	19,95	46,55	250	3500								
20A(C)15X590	15	21,60	36,00	250	2500								
20A(C)16X590	16	23,04	38,40	250	2500			22,2	47,6	19			
20A(C)19X590	19	27,36	45,60	200	2500								
20A(C)22X590	22	31,68	42,24	180	2000						38,1	17,4	15
20A(C)25X590	25	36,00	48,00	160	2000					25			



Designed as 1 section of tandem pump 22A(C)...X596/...X597

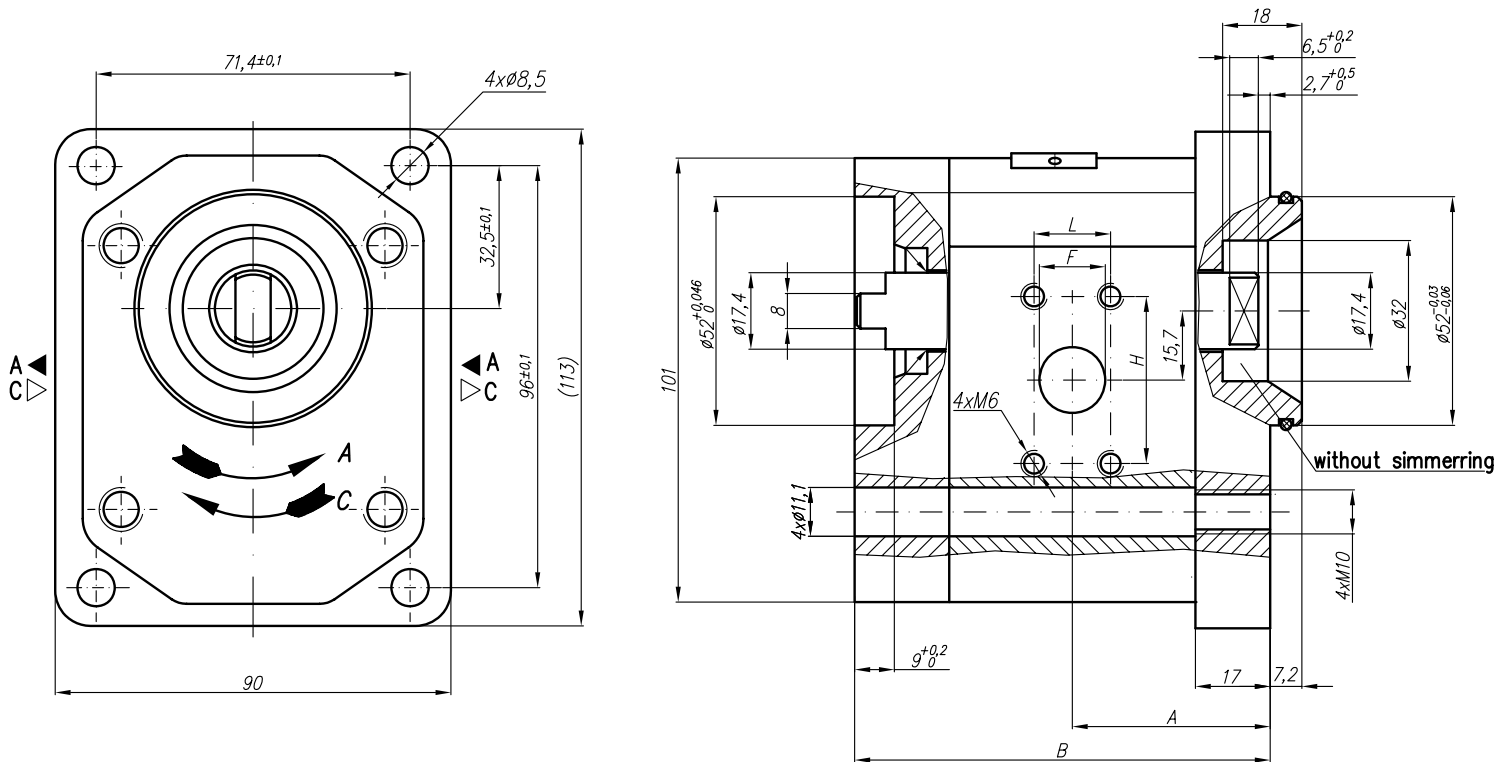


Type	Displacement cm <sup>3</sup> /rev	Flow		Pressure P <sub>nom</sub> bar	max Speed n rpm	Dimension							
		at 1500 rpm l/min	at max rpm l/min			A mm	B mm	Inlet			Outlet		
20A(C)4,5X596	4,5	6,14	14,33	250	3500	43,5	88,2	30,2	13,1	M6-6H	30,2	13,1	M6-6H
20A(C)6,3X596	6,3	8,69	20,29	250	3500	45	91,2						
20A(C)8,2X596	8,2	11,32	26,40	250	3500	46,5	94,1	39,7	19	M8-6H	30,2	14,2	M6-6H
20A(C)10X596	10	13,95	32,55	250	3500	48	97,2						
20A(C)11X596	11,3	15,76	36,78	250	3500	49	99,2	39,7	19	M8-6H	30,2	14,2	M6-6H
20A(C)12X596	12	16,92	39,48	250	3500	49,6	100,5						
20A(C)14X596	14	19,95	46,55	250	3500	51	103,6	39,7	19	M8-6H	30,2	14,2	M6-6H
20A(C)15X596	15	21,60	36,00	250	2500	52	105,1						
20A(C)16X596	16	23,04	38,40	250	2500	53	106,8	39,7	19	M8-6H	30,2	14,2	M6-6H
20A(C)19X596	19	27,36	45,60	200	2500	55	111,7						
20A(C)22X596	22	31,68	42,24	180	2000	58	116,7	39,7	19	M8-6H	30,2	14,2	M6-6H
20A(C)25X596	25	36,00	48,00	160	2000	60,2	121,6						

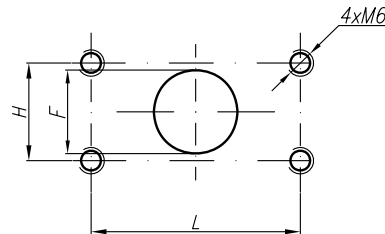




Designed as I section of tandem gear pump 22A(C)...X601/...X602

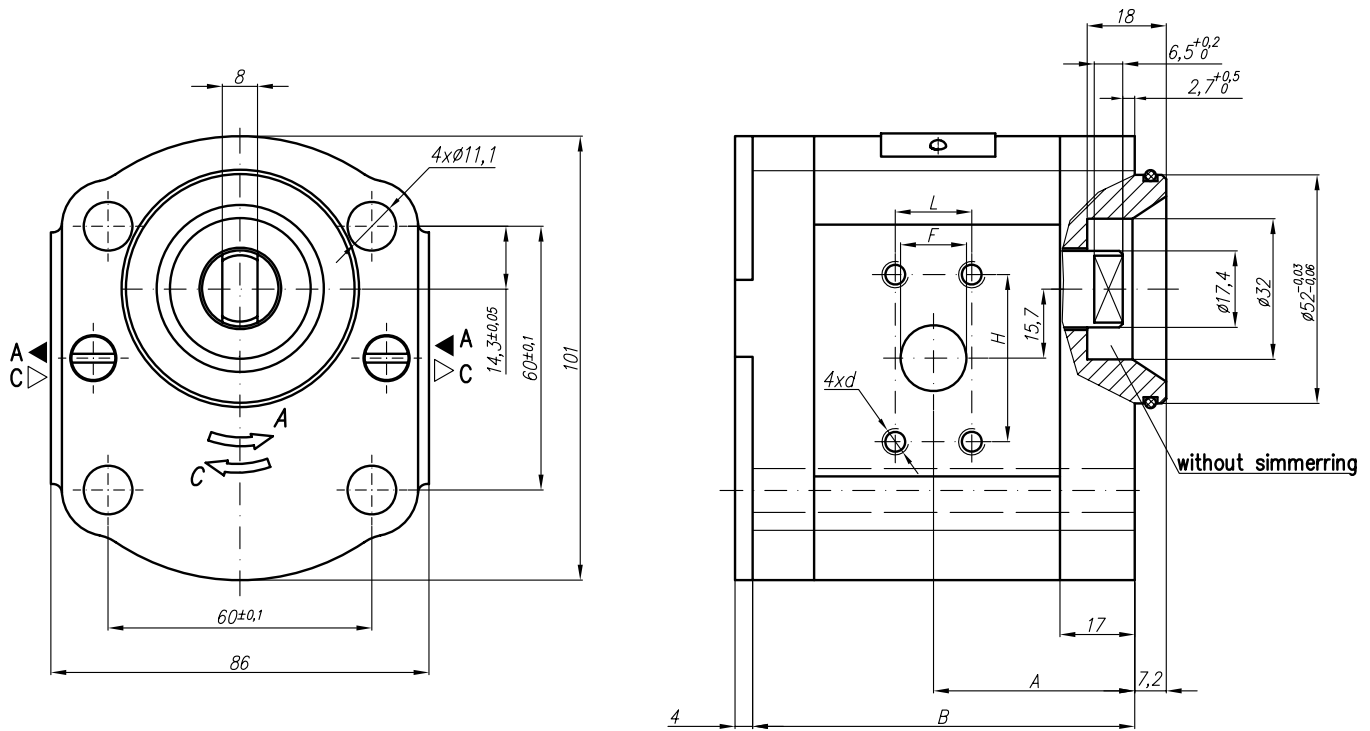


At pump displacement above 10ccm the Inlet port is rotated:

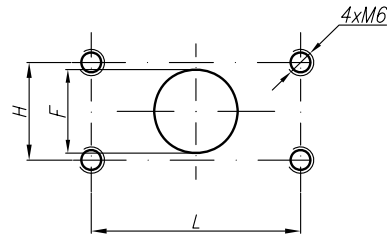


Type	Displacement cm <sup>3</sup> /rev	Flow		Pressure P <sub>nom</sub> bar	max Speed n rpm	Dimension							
		at 1500 rpm l/min	at max rpm l/min			Inlet			Outlet				
						A mm	B mm	H mm	L mm	F mm	H mm	L mm	F mm
20A(C)4,5X601	4,5	6,14	14,33	250	3500	40,5	85,2	38,1	17,4	15	38,1	17,4	15
20A(C)6,3X601	6,3	8,69	20,29	250	3500	42	88,2						
20A(C)8,2X601	8,2	11,32	26,40	250	3500	43,5	91,1						
20A(C)10X601	10	13,95	32,55	250	3500	45	94,1						
20A(C)11X601	11,3	15,76	36,78	250	3500	46	96,2	22,2	47,6	19			
20A(C)12X601	12	16,92	39,48	250	3500	46,5	97,5						
20A(C)14X601	14	19,95	46,55	250	3500	48	100,6						
20A(C)15X601	15	21,60	36,00	250	2500	49	102,1						
20A(C)16X601	16	23,04	38,40	250	2500	50	103,8						
20A(C)19X601	19	27,36	45,60	200	2500	52	108,7	25					
20A(C)22X601	22	31,68	42,24	180	2000	55	113,7						
20A(C)25X601	25	36,00	48,00	160	2000	57,2	118,5						

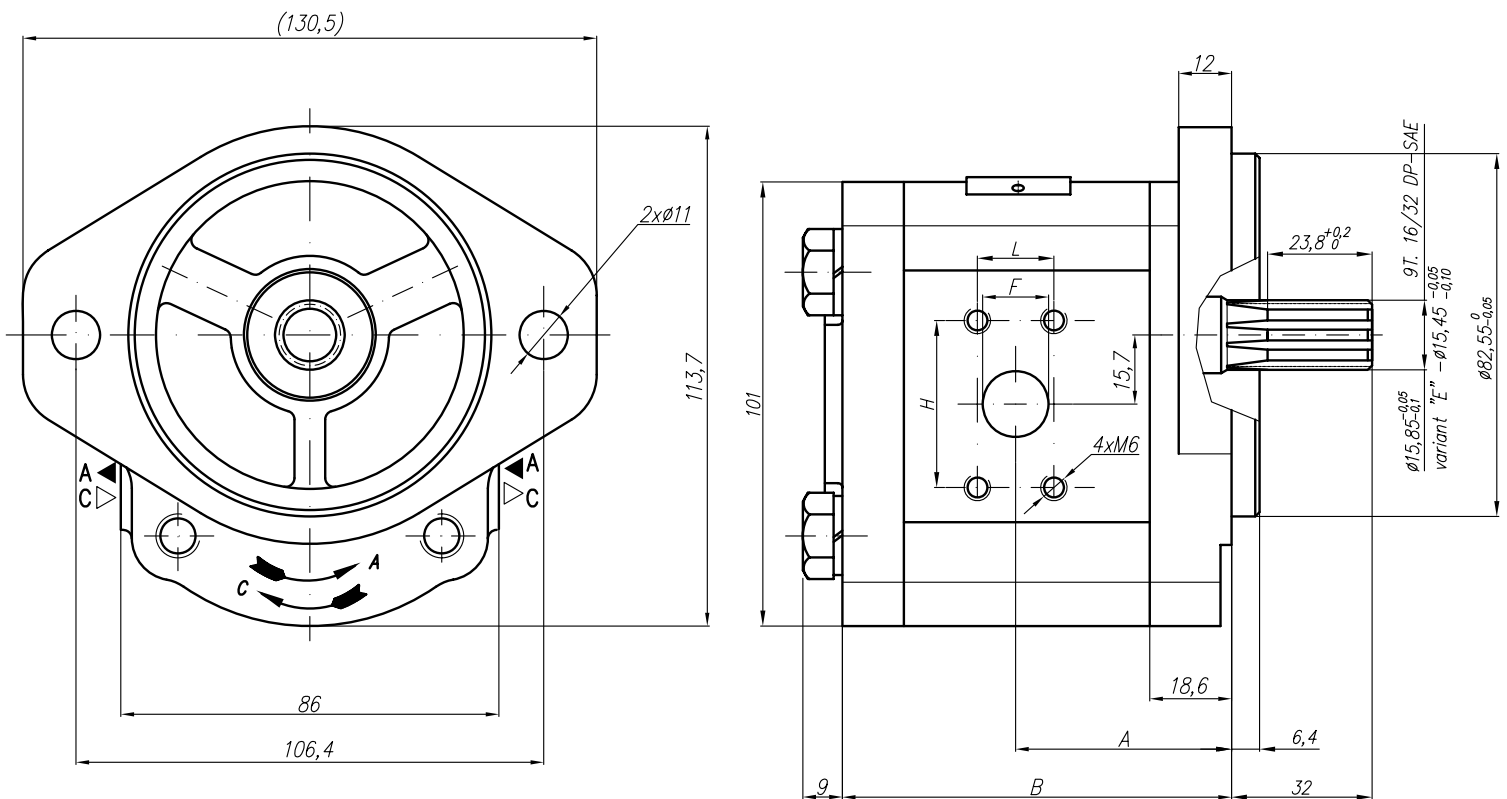
Designed as II section of tandem gear pump 22A(C)...X601/...X602



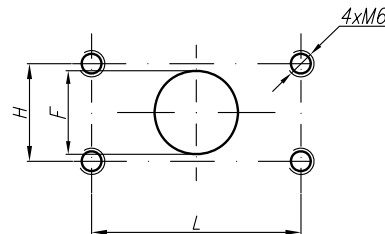
At pump displacement above 10ccm the Inlet port is rotated:



Type	Displacement cm <sup>3</sup> /rev	Flow		Pressure P <sub>nom</sub> bar	max Speed n rpm	Dimension							
		at 1500 rpm l/min	at max rpm l/min			Inlet			Outlet				
						A mm	B mm	H mm	L mm	F mm	H mm	L mm	F mm
20A(C)4,5X602	4,5	6,14	14,33	250	3500	40,5	78	38,1	17,4	15	38,1	17,4	15
20A(C)6,3X602	6,3	8,69	20,29	250	3500	42	81						
20A(C)8,2X602	8,2	11,32	26,40	250	3500	43,5	83,9						
20A(C)10X602	10	13,95	32,55	250	3500	45	87	22,2	47,6	19			
20A(C)11X602	11,3	15,76	36,78	250	3500	46	89,1						
20A(C)12X602	12	16,92	39,48	250	3500	46,5	90,3						
20A(C)14X602	14	19,95	46,55	250	3500	48	93,4						
20A(C)15X602	15	21,60	36,00	250	2500	49	95						
20A(C)16X602	16	23,04	38,40	250	2500	50	96,6						
20A(C)19X602	19	27,36	45,60	200	2500	52	101,5						
20A(C)22X602	22	31,68	42,24	180	2000	55	106,5						
20A(C)25X602	25	36,00	48,00	160	2000	57,2	111,4	25					



At pump displacement above 10ccm the Inlet port is rotated:



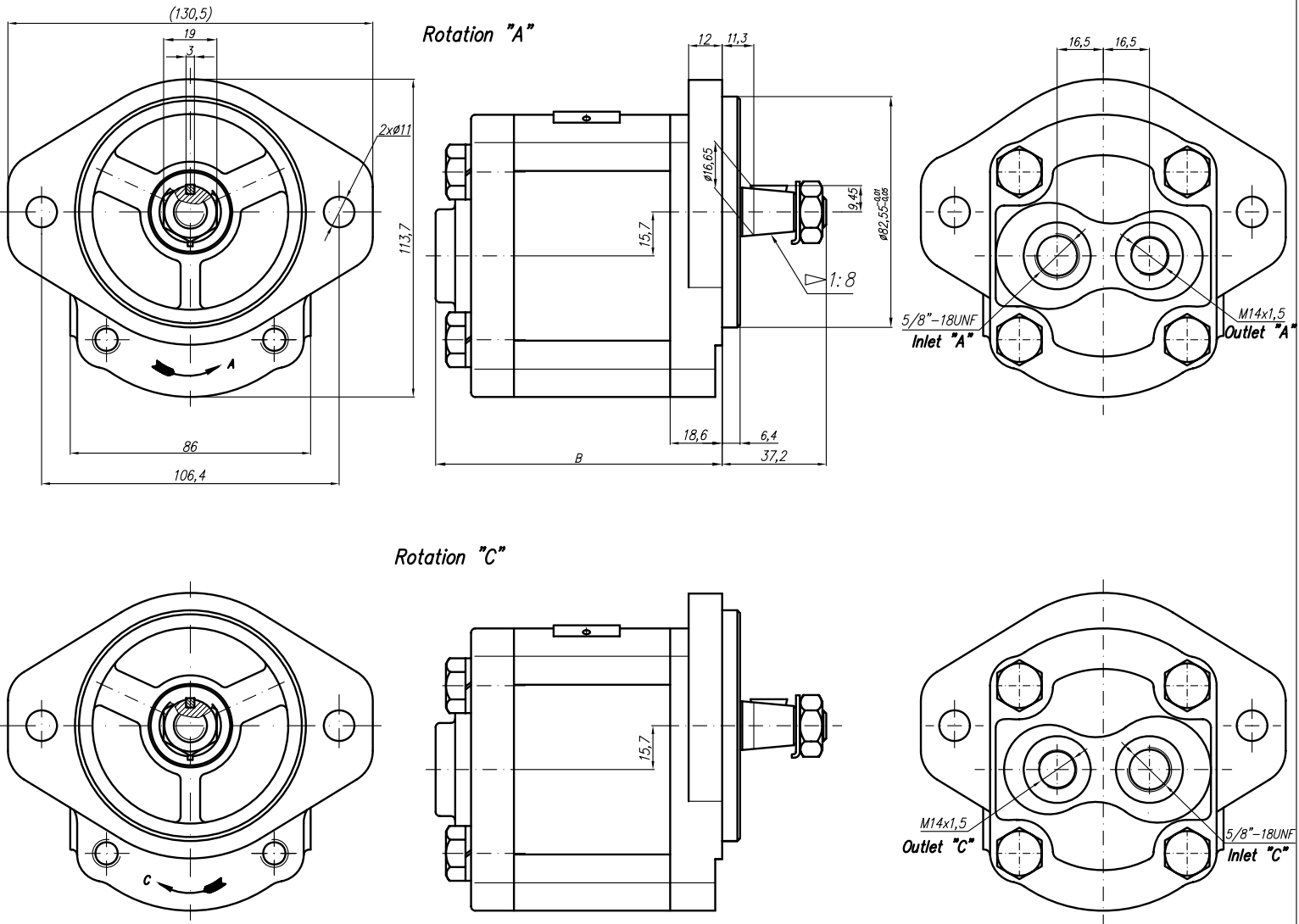
Type	Displacement cm <sup>3</sup> /rev	Flow		Pressure P <sub>nom</sub> bar	max Speed n rpm	Dimension							
		at 1500 rpm l/min	at max rpm l/min			Inlet			Outlet				
						A mm	B mm	H	L	F	H	L	F
20A(C)4,5X604	4,5	6,14	14,33	250	3500	40,5	78	38,1	17,4	15	38,1	17,4	15
20A(C)6,3X604	6,3	8,69	20,29	250	3500	42	81						
20A(C)8,2X604	8,2	11,32	26,40	250	3500	43,5	83,9						
20A(C)10X604	10	13,95	32,55	250	3500	45	87						
20A(C)11X604	11,3	15,76	36,78	250	3500	46	89,1	22,2	47,6	19			
20A(C)12X604	12	16,92	39,48	250	3500	46,5	90,3						
20A(C)14X604	14	19,95	46,55	250	3500	48	93,4						
20A(C)15X604	15	21,60	36,00	250	2500	49	95						
20A(C)16X604	16	23,04	38,40	250	2500	50	96,6	25					
20A(C)19X604	19	27,36	45,60	200	2500	52	101,5						
20A(C)22X604	22	31,68	42,24	180	2000	55	106,5						
20A(C)25X604	25	36,00	48,00	160	2000	57,2	111,4						





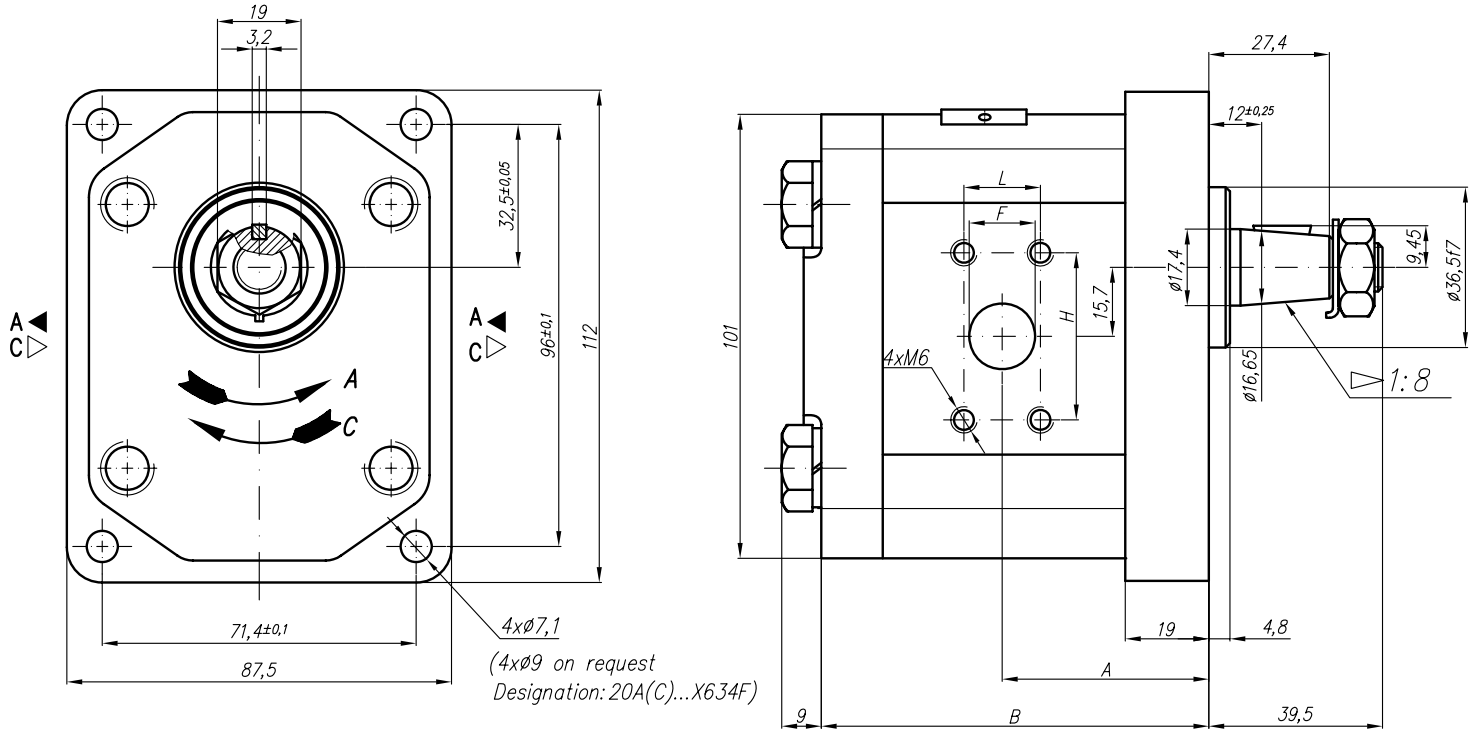




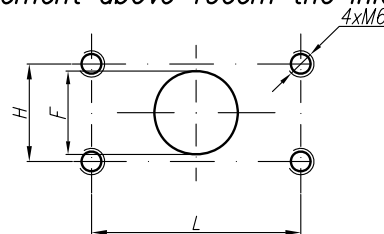


Type	Displacement cm <sup>3</sup> /rev	Flow		Pressure P <sub>nom</sub> bar	max Speed n rpm	Dimension							
		at 1500 rpm l/min	at max rpm l/min			Inlet			Outlet				
						A mm	B mm	M	G	U	M	G	U
20A(C)4,5X627WUM	4,5	6,14	14,33	250	3500		93,6						
20A(C)6,3X627WUM	6,3	8,69	20,29	250	3500		96,6						
20A(C)8,2X627WUM	8,2	11,32	26,40	250	3500		99,5						
20A(C)10X627WUM	10	13,95	32,55	250	3500		102,5						
20A(C)11X627WUM	11,3	15,76	36,78	250	3500		104,6						
20A(C)12X627WUM	12	16,92	39,48	250	3500		105,9						
20A(C)14X627WUM	14	19,95	46,55	250	3500		108,9						
20A(C)15X627WUM	15	21,60	36,00	250	2500		110,5						
20A(C)16X627WUM	16	23,04	38,40	250	2500		112,1						
20A(C)19X627WUM	19	27,36	45,60	200	2500		117,1						
20A(C)22X627WUM	22	31,68	42,24	180	2000		122,1						
20A(C)25X627WUM	25	36,00	48,00	160	2000		127						

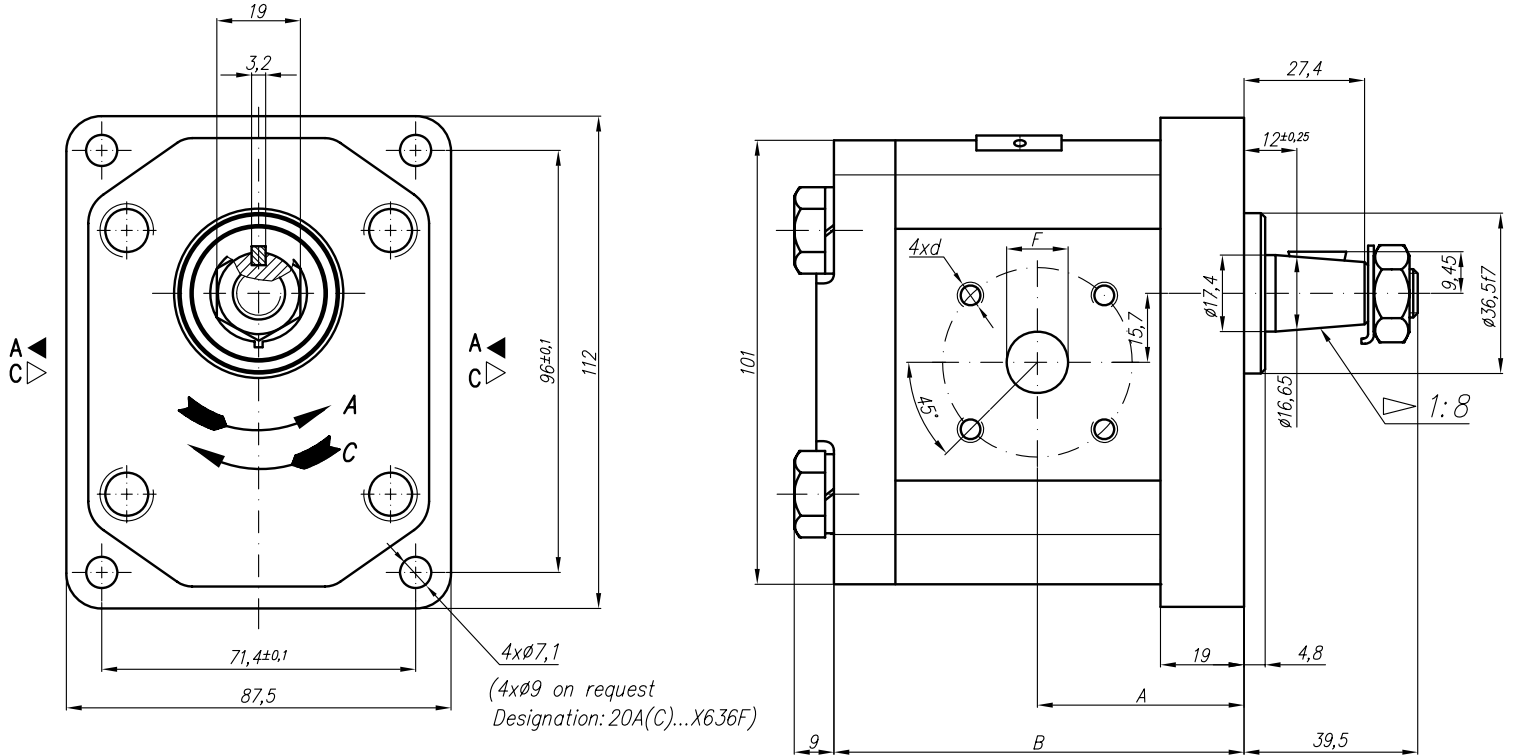




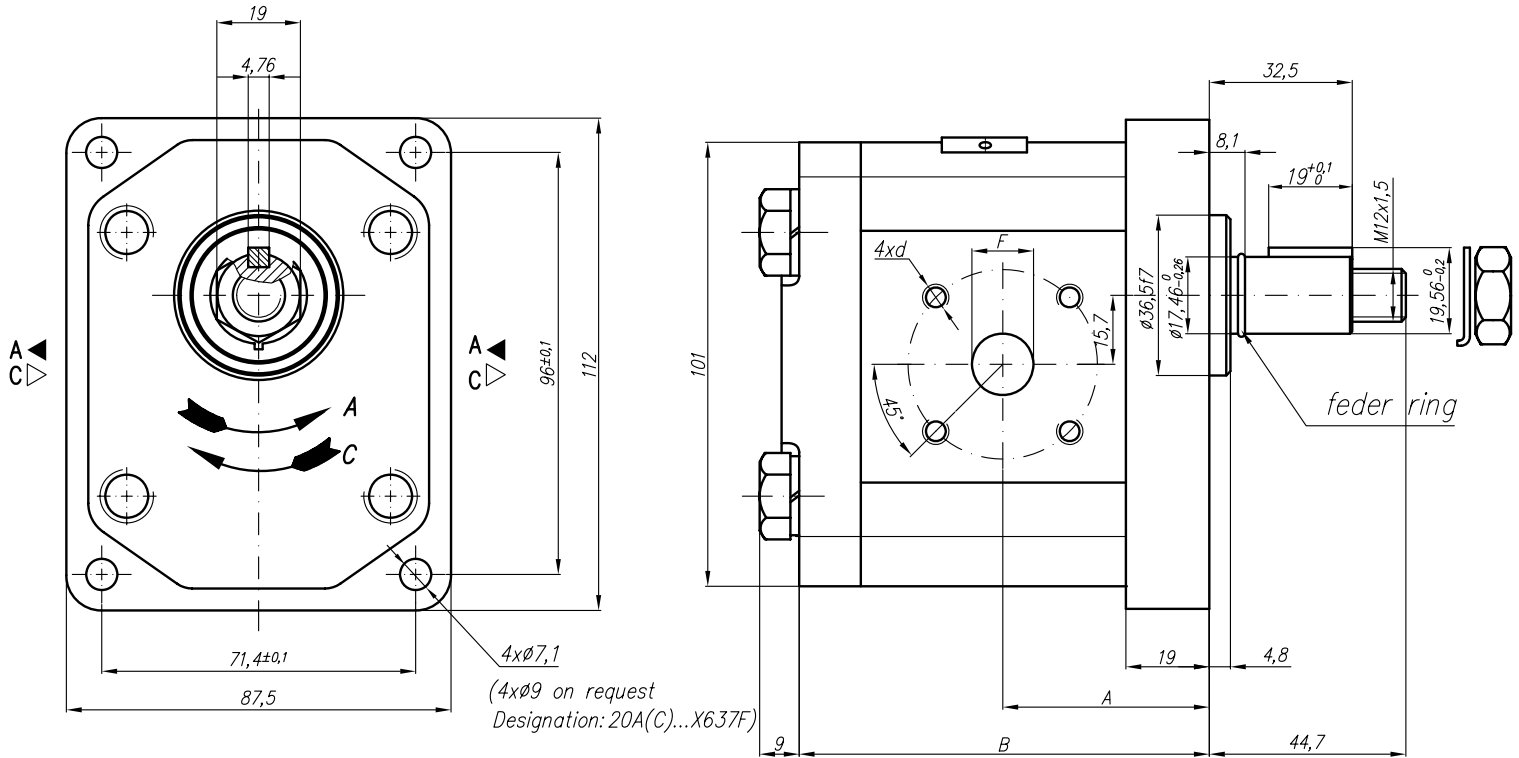
At pump displacement above 10ccm the Inlet port is rotated:



Type	Displacement cm <sup>3</sup> /rev	Flow		Pressure P <sub>nom</sub> bar	max Speed n rpm	Dimension							
		at 1500 rpm l/min	at max rpm l/min			Inlet			Outlet				
						A mm	B mm	H mm	L mm	F mm	H mm	L mm	F mm
20A(C)4,5X634	4,5	6,14	14,33	250	3500	42,5	80	38,1	17,4	15	38,1	17,4	15
20A(C)6,3X634	6,3	8,69	20,29	250	3500	44	83						
20A(C)8,2X634	8,2	11,32	26,40	250	3500	45,5	86						
20A(C)10X634	10	13,95	32,55	250	3500	47	89	22,2	47,6	19			
20A(C)11X634	11,3	15,76	36,78	250	3500	48	91,1						
20A(C)12X634	12	16,92	39,48	250	3500	48,6	92,3						
20A(C)14X634	14	19,95	46,55	250	3500	50	95,4						
20A(C)15X634	15	21,60	36,00	250	2500	51	96,9						
20A(C)16X634	16	23,04	38,40	250	2500	52	98,6						
20A(C)19X634	19	27,36	45,60	200	2500	54	103,5	25					
20A(C)22X634	22	31,68	42,24	180	2000	57	108,5						
20A(C)25X634	25	36,00	48,00	160	2000	59,2	113,4						



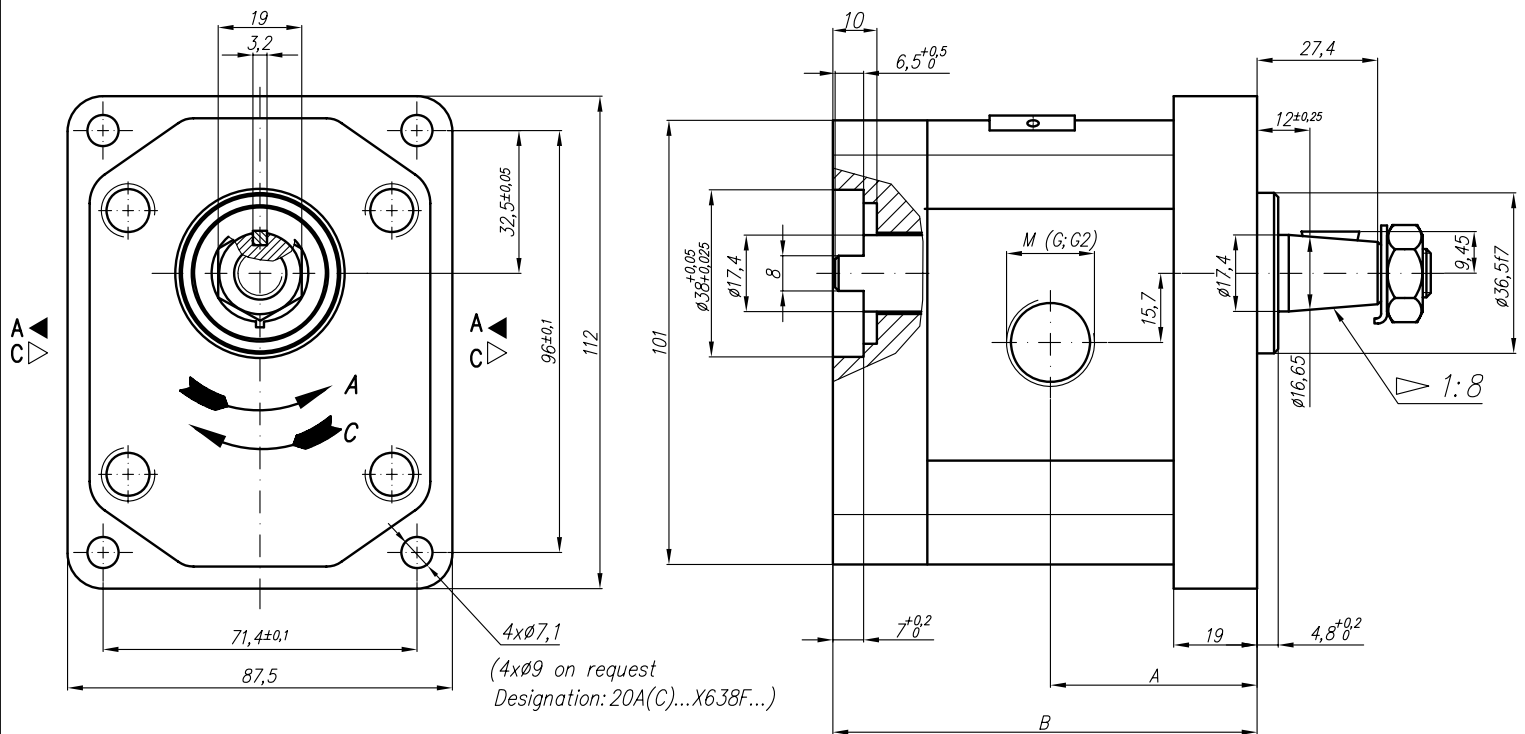
Type	Displacement cm <sup>3</sup> /rev	Flow		Pressure P <sub>nom</sub> bar	max Speed n rpm	Dimension							
		at 1500 rpm l/min	at max rpm l/min			A mm	B mm	Inlet			Outlet		
								E	F	d	E	F	d
20A(C)4,5X636	4,5							43,1	14	5/16"-18UNC	43,1	14	5/16"-18UNC
20A(C)6,3X636	6,3	8,69	20,29	250	3500	42,5	80						
20A(C)8,2X636	8,2	11,32	26,40	250	3500	42,5	80						
20A(C)10X636	10	13,95	32,55	250	3500	47	89		19				
20A(C)11X636	11,3	15,76	36,78	250	3500	48	91,1						
20A(C)12X636	12	16,92	39,48	250	3500	48,6	92,3						
20A(C)14X636	14	19,95	46,55	250	3500	50	95,4						
20A(C)15X636	15	21,60	36,00	250	2500	51	96,9						
20A(C)16X636	16	23,04	38,40	250	2500	52	98,6						
20A(C)19X636	19	27,36	45,60	200	2500	54	103,5						
20A(C)22X636	22	31,68	42,24	180	2000	57	108,5						
20A(C)25X636	25	36,00	48,00	160	2000	59,2	113,4		19				



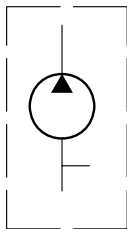
Type	Displacement cm <sup>3</sup> /rev	Flow		Pressure P <sub>nom</sub> bar	max Speed n rpm	Dimension							
		at 1500 rpm l/min	at max rpm l/min			Inlet			Outlet				
						A mm	B mm	E	F	d	E	F	d
20A(C)4,5X637	4,5												
20A(C)6,3X637	6,3	8,69	20,29	250	3500	42,5	80		14				
20A(C)8,2X637	8,2	11,32	26,40	250	3500	42,5	80						
20A(C)10X637	10	13,95	32,55	250	3500	47	89						
20A(C)11X637	11,3	15,76	36,78	250	3500	48	91,1						
20A(C)12X637	12	16,92	39,48	250	3500	48,6	92,3	43,1					
20A(C)14X637	14	19,95	46,55	250	3500	50	95,4						
20A(C)15X637	15	21,60	36,00	250	2500	51	96,9		19				
20A(C)16X637	16	23,04	38,40	250	2500	52	98,6			5/16"-18UNC			
20A(C)19X637	19	27,36	45,60	200	2500	54	103,5				43,1	14	
20A(C)22X637	22	31,68	42,24	180	2000	57	108,5						
20A(C)25X637	25	36,00	48,00	160	2000	59,2	113,4					19	5/16"-18UNC



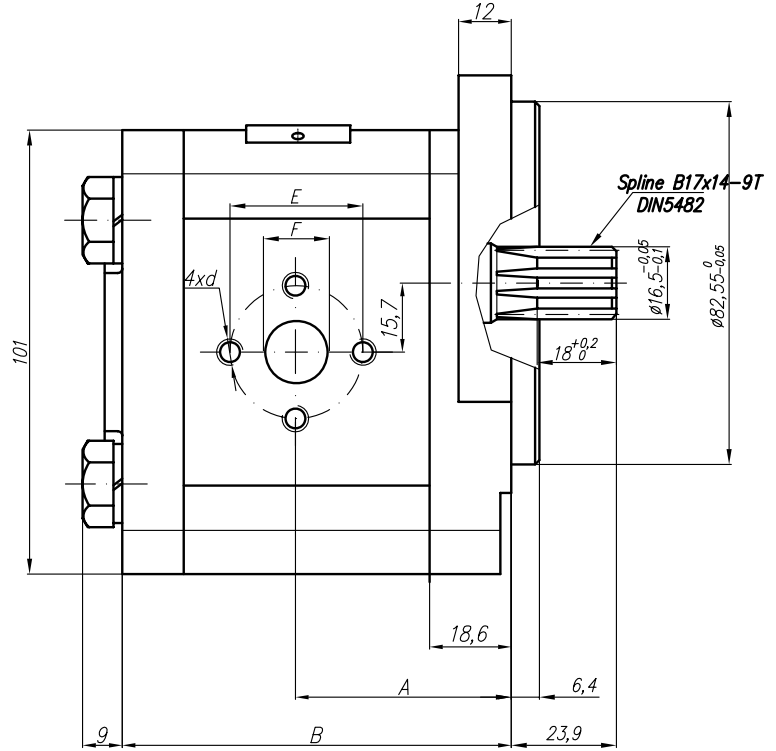
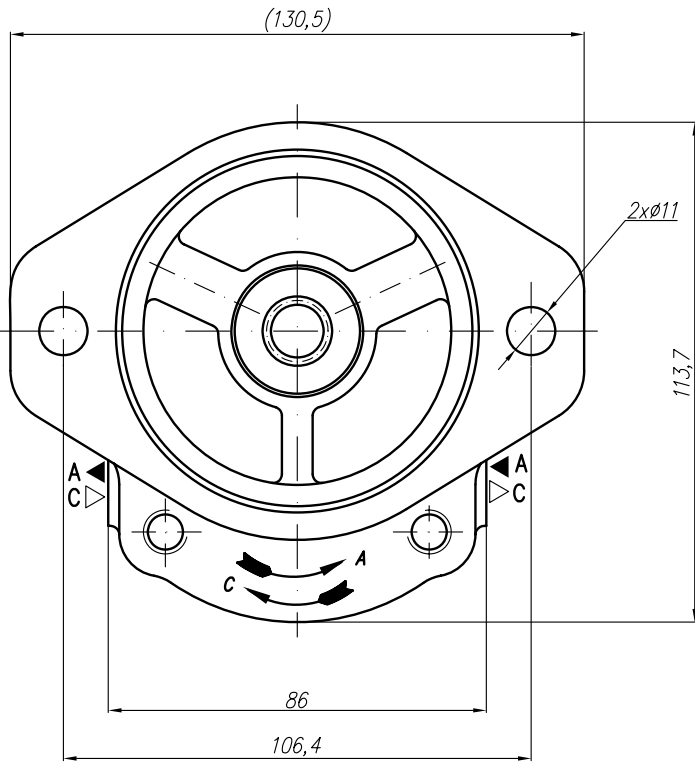
Designed as a 1 section of tandem pump 22A(C)...X638.../...X622...



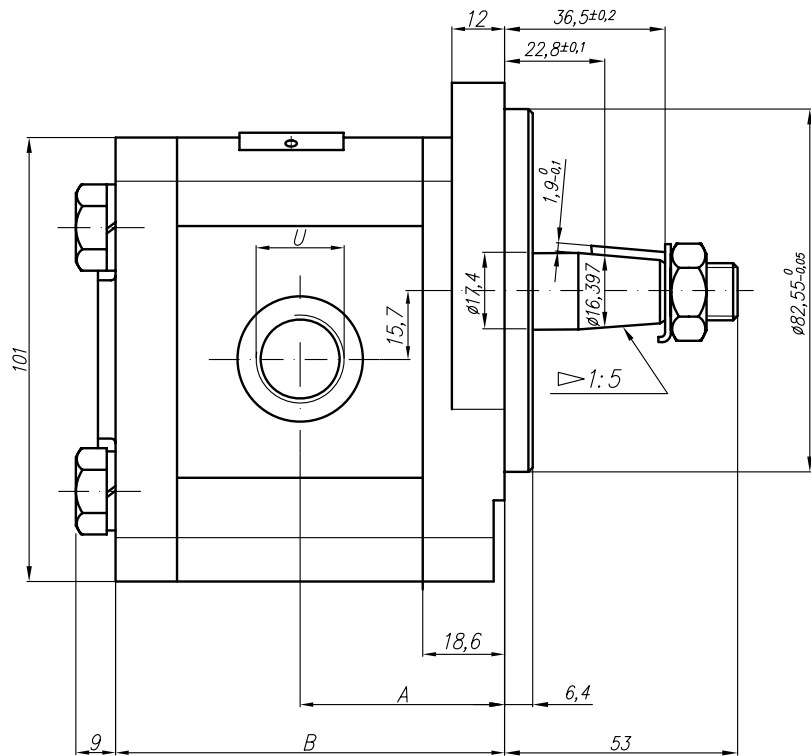
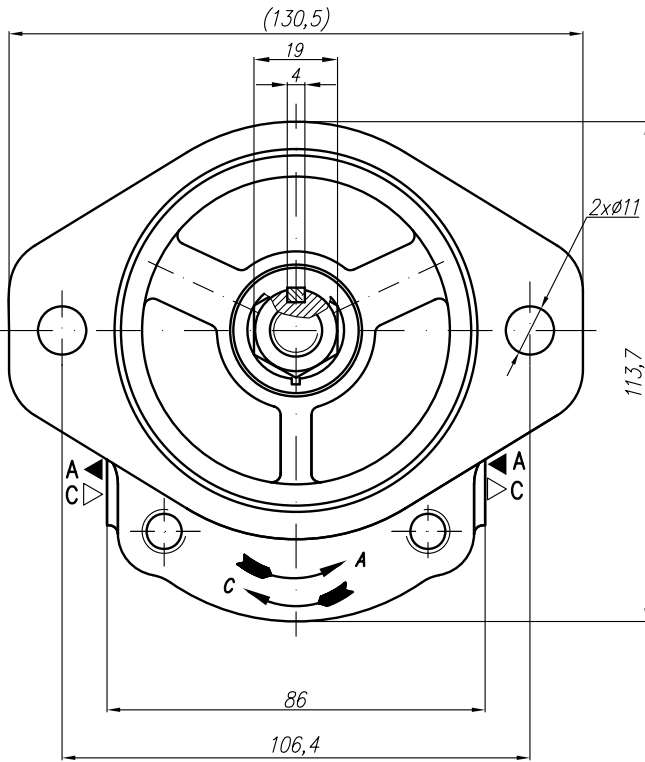
Symbol



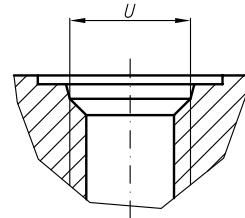
Type	Displacement cm <sup>3</sup> /rev	Flow		Pressure P <sub>nom</sub> bar	max Speed n rpm	Dimension							
		at 1500 rpm l/min	at max rpm l/min			A mm	B mm	Inlet			Outlet		
								M	G	G2	M	G	G2
20A(C)4,5X638...	4,5	6,14	14,33	250	3500								
20A(C)6,3X638...	6,3	8,69	20,29	250	3500					G3/4"			
20A(C)8,2X638...	8,2	11,32	26,40	250	3500	45,5	93,1						
20A(C)10X638...	10	13,95	32,55	250	3500								
20A(C)11X638...	11,3	15,76	36,78	250	3500								
20A(C)12X638...	12	16,92	39,48	250	3500							G1/2"	G1/2"
20A(C)14X638...	14	19,95	46,55	250	3500								
20A(C)15X638...	15	21,60	36,00	250	2500								
20A(C)16X638...	16	23,04	38,40	250	2500								
20A(C)19X638...	19	27,36	45,60	200	2500								
20A(C)22X638...	22	31,68	42,24	180	2000								
20A(C)25X638...	25	36,00	48,00	160	2000	59,2	120,6						



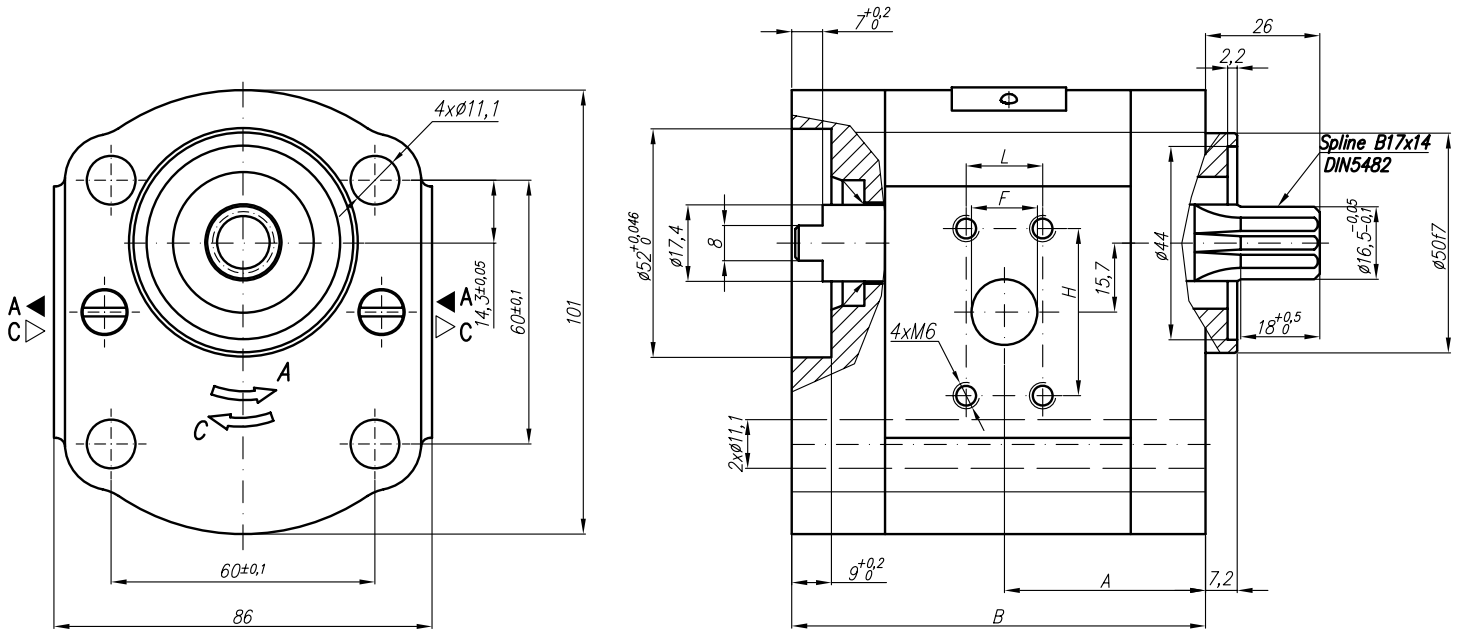
Type	Displacement cm <sup>3</sup> /rev	Flow		Pressure P <sub>nom</sub> bar	max Speed n rpm	Dimension							
		at 1500 rpm l/min	at max rpm l/min			A mm	B mm	Inlet			Outlet		
								E	F	d	E	F	d
20A(C)4,5X647	4,5	6,14	14,33	250	3500	42	79,6	30,2	13,1	M6-6H	30,2	13,1	
20A(C)6,3X647	6,3	8,69	20,29	250	3500	43,6	82,6						
20A(C)8,2X647	8,2	11,32	26,40	250	3500	45	85,6						
20A(C)10X647	10	13,95	32,55	250	3500	46,6	88,7	39,7	19	M8-6H	30,2	14,2	M6-6H
20A(C)11X647	11,3	15,76	36,78	250	3500	47,6	90,7						
20A(C)12X647	12	16,92	39,48	250	3500	48,2	91,9						
20A(C)14X647	14	19,95	46,55	250	3500	49,6	95						
20A(C)15X647	15	21,60	36,00	250	2500	50,6	96,5						
20A(C)16X647	16	23,04	38,40	250	2500	51,6	98,2	39,7	19	M8-6H	30,2	14,2	M6-6H
20A(C)19X647	19	27,36	45,60	200	2500	53,6	103,1						
20A(C)22X647	22	31,68	42,24	180	2000	56,6	108,1						
20A(C)25X647	25	36,00	48,00	160	2000	58,8	113				39,7	19	M8



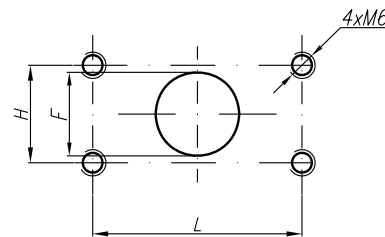
SAE J475 (ISO R725)



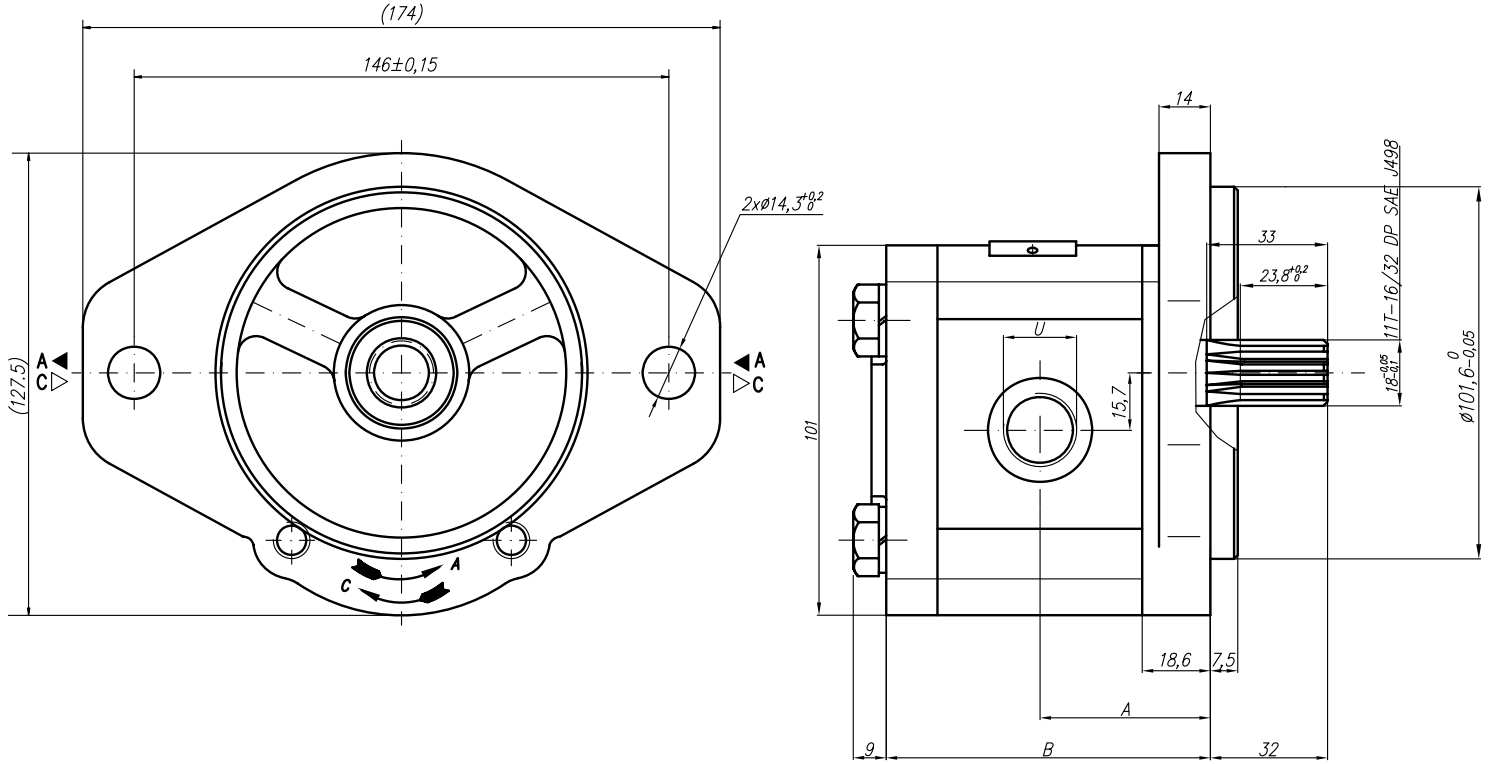
Type	Displacement cm <sup>3</sup> /rev	Flow		Pressure P <sub>nom</sub> bar	max Speed n rpm	Dimension							
		at 1500 rpm l/min	at max rpm l/min			Inlet			Outlet				
						A mm	B mm	M	G	U	M	G	U
20A(C)4,5X650U	4,5	6,14	14,33	250	3500	42	79,6	1 1/16" -12UNF					7/8" -14UNF
20A(C)6,3X650U	6,3	8,69	20,29	250	3500	43,6	82,6						
20A(C)8,2X650U	8,2	11,32	26,40	250	3500	45	85,6						
20A(C)10X650U	10	13,95	32,55	250	3500	46,6	88,7						
20A(C)11X650U	11,3	15,76	36,78	250	3500	47,6	90,7						
20A(C)12X650U	12	16,92	39,48	250	3500	48,2	91,9						
20A(C)14X650U	14	19,95	46,55	250	3500	49,6	95						
20A(C)15X650U	15	21,60	36,00	250	2500	50,6	96,5						
20A(C)16X650U	16	23,04	38,40	250	2500	51,6	98,2						
20A(C)19X650U	19	27,36	45,60	200	2500	53,6	103,1						
20A(C)22X650U	22	31,68	42,24	180	2000	56,6	108,1						
20A(C)25X650U	25	36,00	48,00	160	2000	58,8	113						



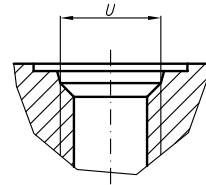
At pump displacement above 10ccm the Inlet port is rotated:



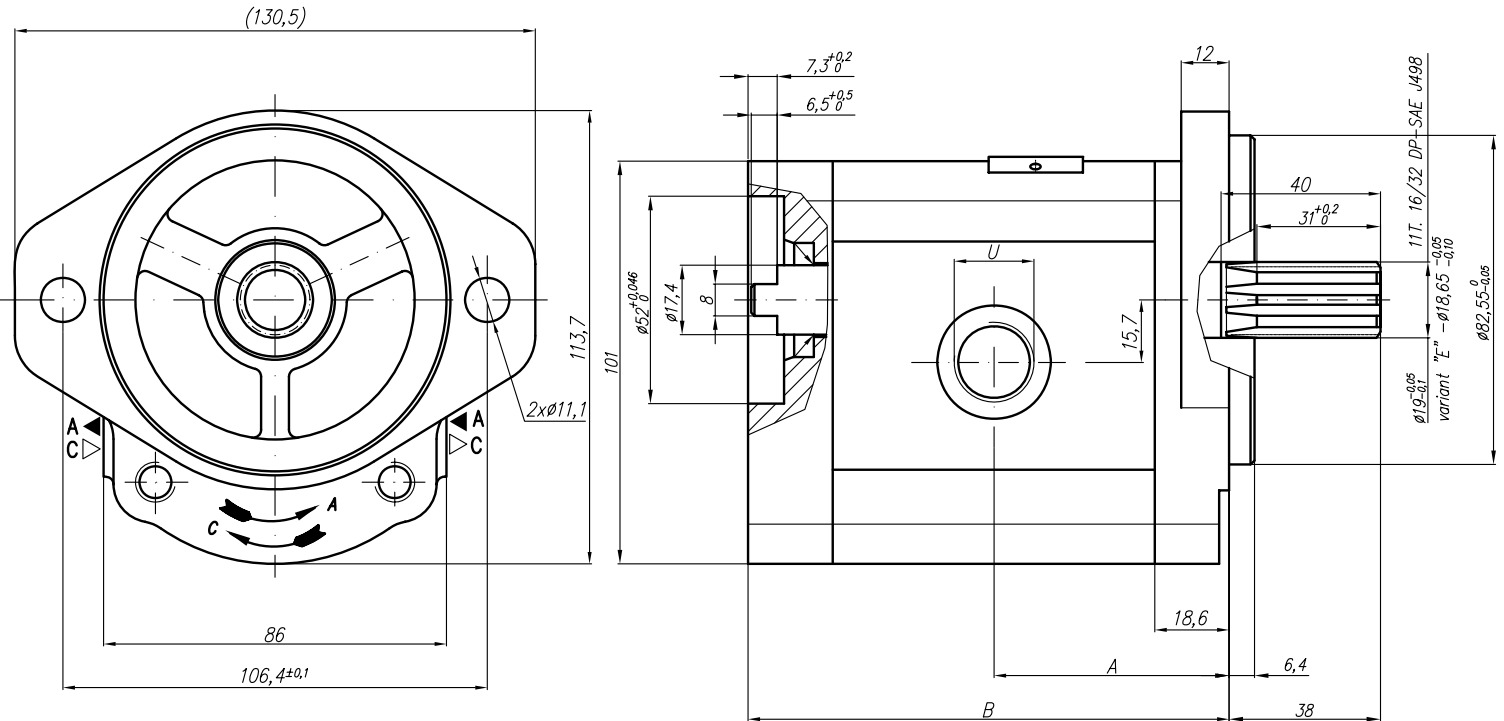
Type	Displacement cm <sup>3</sup> /rev	Flow		Pressure P <sub>nom</sub> bar	max Speed n rpm	Dimension							
		at 1500 rpm l/min	at max rpm l/min			Inlet			Outlet				
						A mm	B mm	H	L	F	H	L	F
20A(C)4,5X654	4,5	6,14	14,33	250	3500	40,5	85,2	38,1	17,4	15	38,1	17,4	15
20A(C)6,3X654	6,3	8,69	20,29	250	3500	42	88,2						
20A(C)8,2X654	8,2	11,32	26,40	250	3500	43,5	91,1						
20A(C)10X654	10	13,95	32,55	250	3500	45	94,1						
20A(C)11X654	11,3	15,76	36,78	250	3500	46	96,2						
20A(C)12X654	12	16,92	39,48	250	3500	46,5	97,5	22,2	47,6	19			
20A(C)14X654	14	19,95	46,55	250	3500	48	100,6						
20A(C)15X654	15	21,60	36,00	250	2500	49	102,1						
20A(C)16X654	16	23,04	38,40	250	2500	50	103,8						
20A(C)19X654	19	27,36	45,60	200	2500	52	108,7						
20A(C)22X654	22	31,68	42,24	180	2000	55	113,7	25					
20A(C)25X654	25	36,00	48,00	160	2000	57,2	118,5						



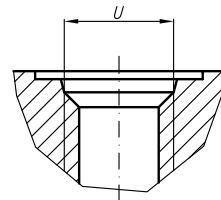
SAE J475 (ISO R725)



Type	Displacement cm <sup>3</sup> /rev	Flow		Pressure P <sub>nom</sub> bar	max Speed n rpm	Dimension							
		at 1500 rpm l/min	at max rpm l/min			Inlet			Outlet				
						A mm	B mm	M	G	U	M	G	U
20A(C)4,5X655U	4,5	6,14	14,33	250	3500	42	79,6	1 1/16" -12UNF					7/8" -14UNF
20A(C)6,3X655U	6,3	8,69	20,29	250	3500	43,6	82,6						
20A(C)8,2X655U	8,2	11,32	26,40	250	3500	45	85,6						
20A(C)10X655U	10	13,95	32,55	250	3500	46,6	88,7						
20A(C)11X655U	11,3	15,76	36,78	250	3500	47,6	90,7						
20A(C)12X655U	12	16,92	39,48	250	3500	48,2	91,9						
20A(C)14X655U	14	19,95	46,55	250	3500	49,6	95						
20A(C)15X655U	15	21,60	36,00	250	2500	50,6	96,5						
20A(C)16X655U	16	23,04	38,40	250	2500	51,6	98,2						
20A(C)19X655U	19	27,36	45,60	200	2500	53,6	103,1						
20A(C)22X655U	22	31,68	42,24	180	2000	56,6	108,1						
20A(C)25X655U	25	36,00	48,00	160	2000	58,8	113						



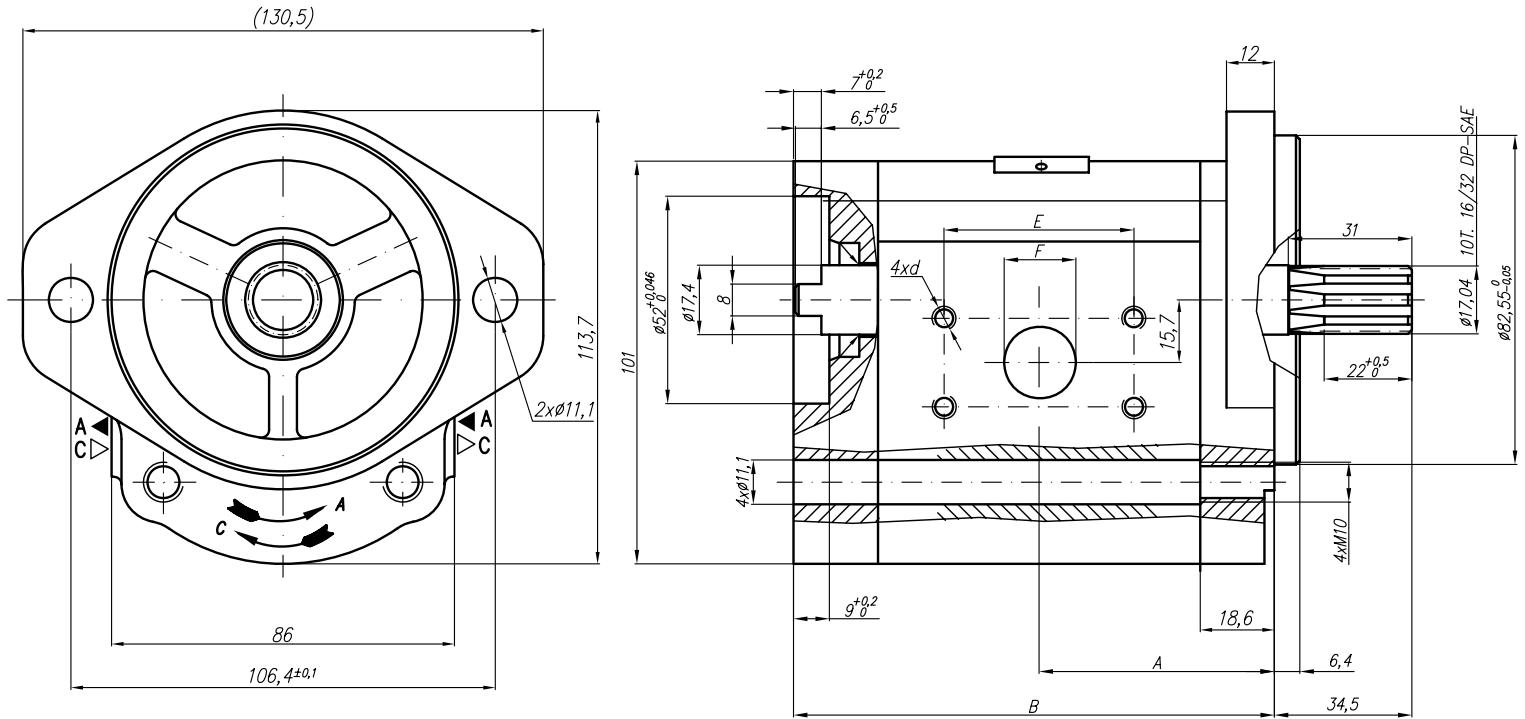
Variant "U"  
SAE J475 (ISO R725)



Type	Displacement cm <sup>3</sup> /rev	Flow		Pressure P <sub>nom</sub> bar	max Speed n rpm	Dimension							
		at 1500 rpm l/min	at max rpm l/min			Inlet			Outlet				
						A mm	B mm	M	G	U	M	G	U
20A(C)14X656HD	14	20,16	47,04	250	3500	54,9	112,5						
20A(C)15X656HD	15	21,60	43,20	250	3000	55,6	114			1 1/16" - 12UNF			7/8" - 14UNF
20A(C)16X656HD	16	23,04	46,08	250	3000	56,5	115,6						
20A(C)17,3X656HD	17,3	24,91	49,82	230	3000	57,6	117,7						
20A(C)18,2X656HD	18,2	26,21	52,42	210	3000	58,4	119,3						
20A(C)19X656HD	19	27,36	54,72	200	3000	59	120,6						
20A(C)22X656HD	22	31,68	52,80	180	2500	61,5	125,6						
20A(C)25X656HD	25	36,00	60,00	160	2500	63,9	130,5						
20A(C)28X656HD	28	40,32	67,20	130	2500	66,4	135,3						
20A(C)32X656HD	32	46,08	61,44	120	2000	69,6	141,6						
20A(C)36X656HD	36	51,84	69,12	100	2000	72,8	148,2						

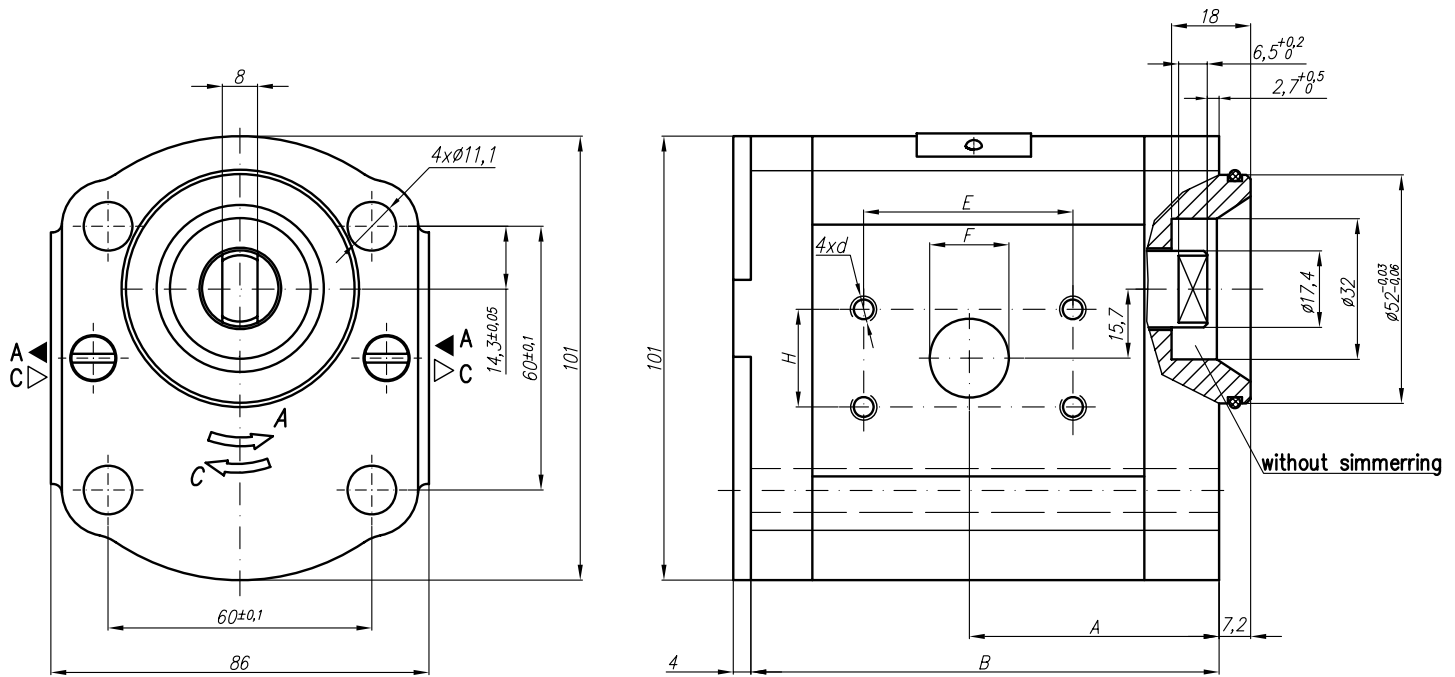


Designed as 1 section of tandem gear pump 22A(C)...X664H/...X665H

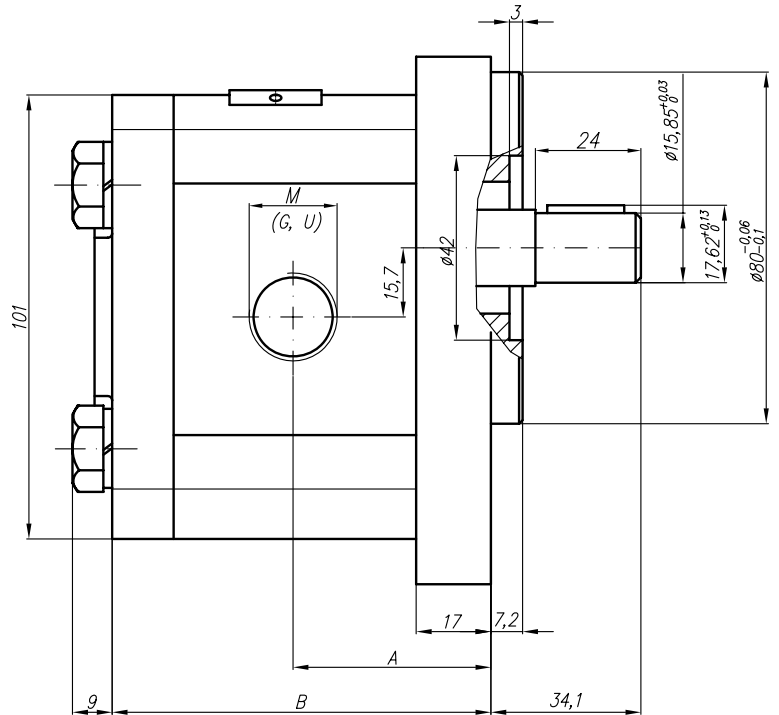
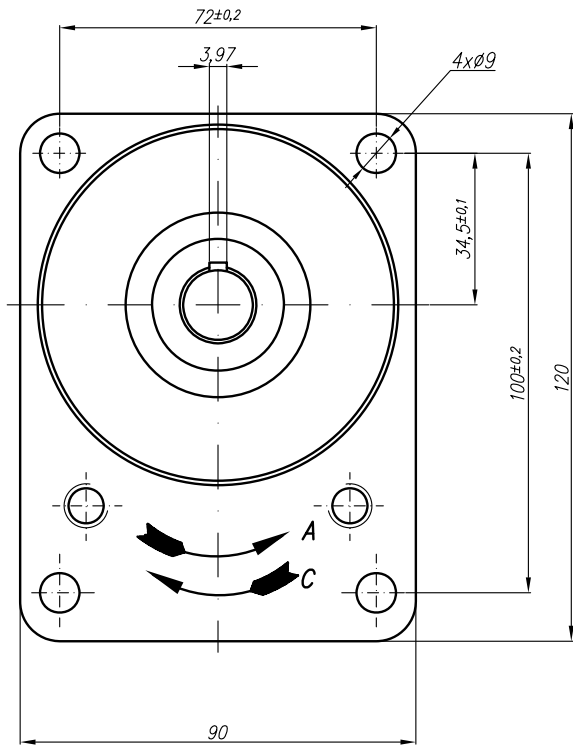


Type	Displacement cm <sup>3</sup> /rev	Flow		Pressure P <sub>nom</sub> bar	max Speed n rpm	Dimension												
		at 1500 rpm l/min	at max rpm l/min			Inlet					Outlet							
						A mm	B mm	E	H	d	F	U	E	H	d	F	U	
20A(C)15X664H	15	20,48	47,78	250	3500	55,6	114	52,7	26,2	3/8"-14UNC-2B	25		47,6	22,2	3/8"-14UNC-2B	18		
20A(C)16X664H	16	22,08	51,52	250	3500	56,6	115,6											
20A(C)17,3X664H	17,3	23,87	55,71	230	3500	57,6	117,7											
20A(C)18,2X664H	18,2	25,39	59,24	210	3500	58,4	119,3											
20A(C)19X664H	19	26,51	61,85	200	3500	59	120,6											
20A(C)22X664H	22	31,02	72,38	180	3500	61,5	125,2											
20A(C)25X664H	25	35,63	83,13	160	3500	63,9	130,5											
20A(C)28X664H	28	40,32	67,20	130	2500	66,4	135,3											
20A(C)32X664H	32	46,08	76,80	120	2500	69,6	141,6											
20A(C)36X664H	36	51,84	86,40	100	2500	72,8	148,2											

Designed as II section of tandem gear pump 22A(C)...X664H/...X665H

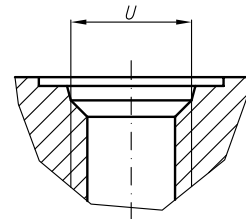


Type	Displacement cm <sup>3</sup> /rev	Flow		Pressure P <sub>nom</sub> bar	max Speed n rpm	Dimension											
		at 1500 rpm l/min	at max rpm l/min			A mm	B mm	Inlet					Outlet				
								E	H	d	F	U	E	H	d	F	U
20A(C)15X665H	15	20,48	47,78	250	3500	54	105,2	52,7	26,2	3/8"-14UNC-2B	25		47,6	22,2	3/8"-14UNC-2B	18	
20A(C)16X665H	16	22,08	51,52	250	3500	54,9	106,8										
20A(C)17,3X665H	17,3	23,87	55,71	230	3500	56	108,9										
20A(C)18,2X665H	18,2	25,39	59,24	210	3500	56,8	110,5										
20A(C)19X665H	19	26,51	61,85	200	3500	57,4	111,8										
20A(C)22X665H	22	31,02	72,38	180	3500	59,9	116,8										
20A(C)25X665H	25	35,63	83,13	160	3500	62,3	121,7										
20A(C)28X665H	28	40,32	67,20	130	2500	64,8	126,5										
20A(C)32X665H	32	46,08	76,80	120	2500	68	132,8										
20A(C)36X665H	36	51,84	86,40	100	2500	71,2	139,4										

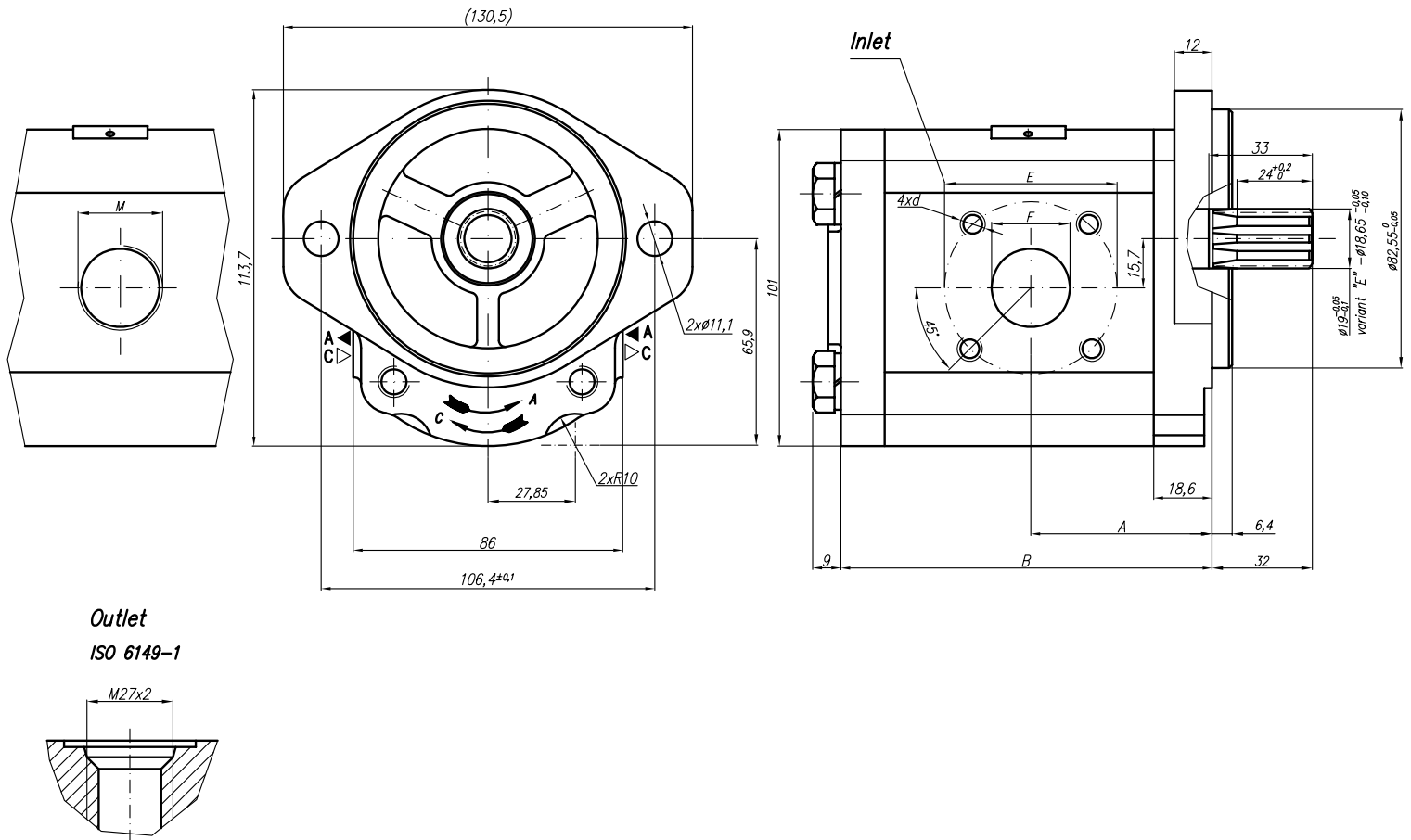


Variant "U"

SAE J475 (ISO R725)



Type	Displacement cm <sup>3</sup> /rev	Flow		Pressure P <sub>nom</sub> bar	max Speed n rpm	Dimension							
		at 1500 rpm l/min	at max rpm l/min			A mm	B mm	Inlet			Outlet		
						M	G	U	M	G	U		
20A(C)4,5X670...	4,5	6,14	14,33	250	3500	39,8	78	M20x1,5	G1/2	1 1/16"-12UNF	M16x1,5	G1/2	7/8"-14UNF
20A(C)6,3X670...	6,3	8,69	20,29	250	3500	41	81						
20A(C)8,2X670...	8,2	11,32	26,40	250	3500	43,1	83,9						
20A(C)10X670...	10	13,95	32,55	250	3500	47,5	87						
20A(C)11X670...	11,3	15,76	36,78	250	3500	47,5	89,1						
20A(C)12X670...	12	16,92	39,48	250	3500	47,5	90,3						
20A(C)14X670...	14	19,95	46,55	250	3500	47,5	93,4						
20A(C)15X670...	15	21,60	36,00	250	2500	47,5	94,9						
20A(C)16X670...	16	23,04	38,40	250	2500	47,5	96,6						
20A(C)19X670...	19	27,36	45,60	200	2500	47,5	101,5						
20A(C)22X670...	22	31,68	42,24	180	2000	55	106,5						
20A(C)25X670...	25	36,00	48,00	160	2000	57,2	111,4						



Type	Displacement cm <sup>3</sup> /rev	Flow		Pressure P <sub>nom</sub> bar	max Speed n rpm	Dimension						
		at 1500 rpm l/min	at max rpm l/min			A mm	B mm	Inlet			Outlet	
						E	F	d	M	G	U	
20A(C)14X671HDJD	14											
20A(C)15X671HDJD	15	21,60	43,20	250	3000							
20A(C)16X671HDJD	16	23,04	46,08	250	3000							
20A(C)17,3X671HDJD	17,3	24,91	49,82	230	3000							
20A(C)18,2X671HDJD	18,2	26,21	52,42	210	3000							
20A(C)19X671HDJD	19	27,36	54,72	200	3000							
20A(C)22X671HDJD	22	31,68	52,80	180	2500	57,8	118,4					
20A(C)25X671HDJD	25	36,00	60,00	160	2500							
20A(C)28X671HDJD	28	40,32	67,20	130	2500							
20A(C)32X671HDJD	32	46,08	61,44	120	2000							
20A(C)36X671HDJD	36	51,84	69,12	100	2000							

