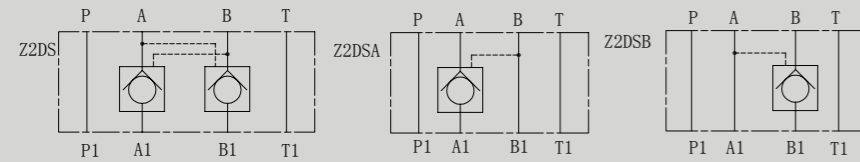


## Z2DS型叠加式单向阀

### Z2DS SERIES PILOT CONTROLLED MODULAR CHECK VALVES



#### 符号 SYMBOL

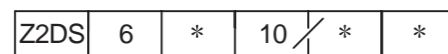


Z2DS型单向阀是叠加式液控单向阀，它可用于关闭一个或两个工作油口且无泄漏持续工作长时间，稳定性好。

Z2DS series are pilot operated style sandwich valves. These valves used to close one or two actuator ports.

#### 技术参数 Technical data

口径 Size	6	10	16	22
工作压力(MPa) Operating pressure (MPa)	31.5	31.5	31.5	31.5
流量(L/min) Flow rate (L/min)	50	80	200	300
介质温度范围(°C) Fluid temperature range (°C)	-30 ~ 80°C	-30 ~ 80°C	-30 ~ 80°C	-30 ~ 80°C
重量(千克) Weight(KGS)	1	2.2	6.8	12.8
阀体(材料)表面处理 Valve body (Material) Surface treatment	铸件 表面磷化处理 casting phosphating surface			
油液清洁度/Oil cleanliness	NAS1638 9级和ISO4406 20/18/15级 NAS1638 class 9 and ISO4406 class 20/18/15			



#### 型号 Model

口径:6;10;16;22  
Size:6;10;16;22

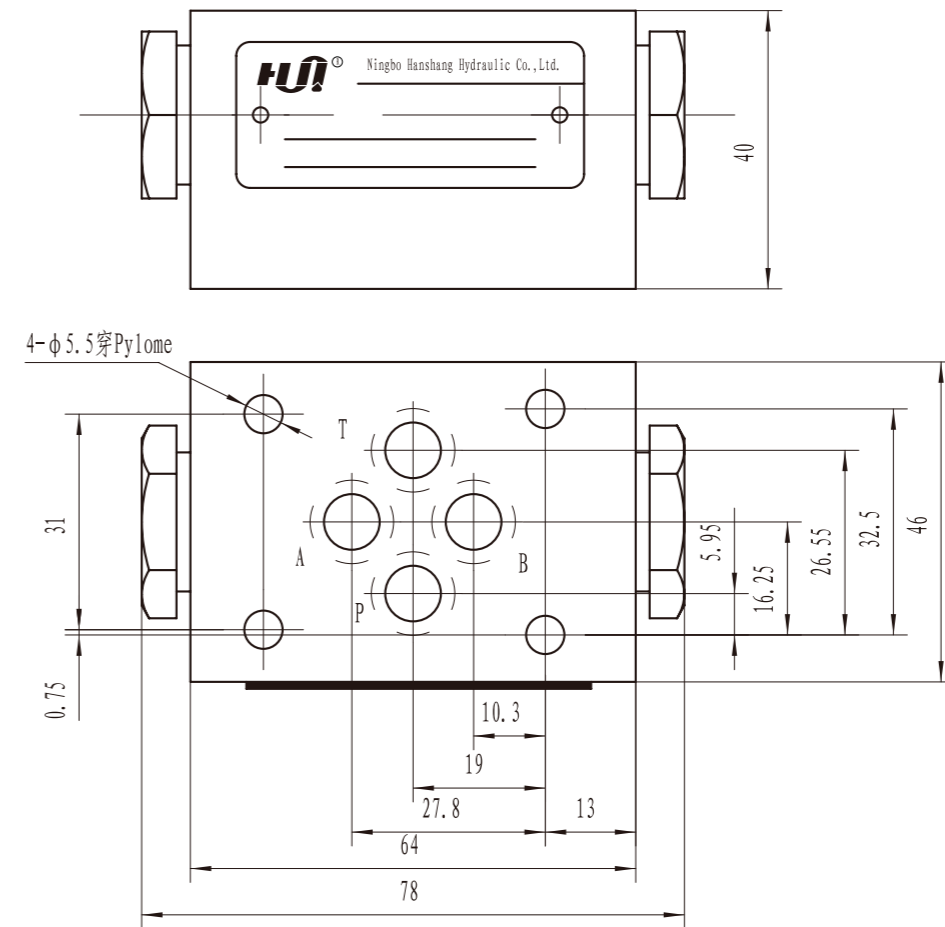
无 = A, B口都有单向阀  
A = A口带单向阀  
B = B口带单向阀  
No code = A, B ports with check valves  
A = A ports with check valve  
B = B ports with check valve

#### 附加说明 For further details

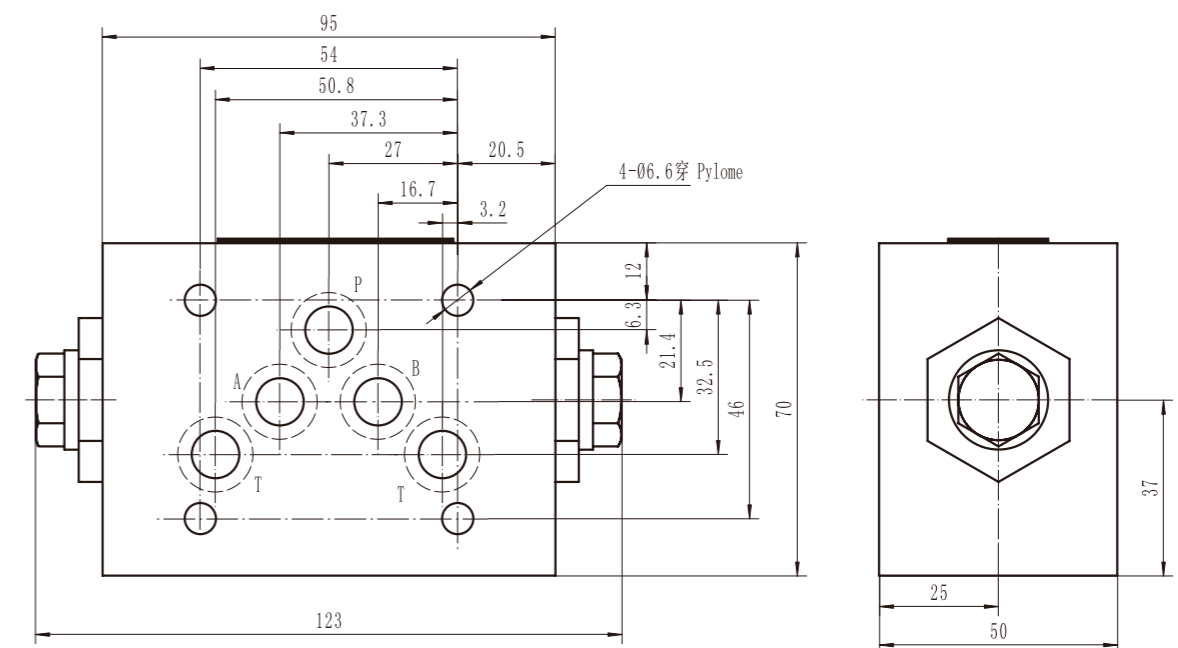
无 = 丁腈橡胶  
V = 氟橡胶  
No code = NBR seals  
V = FPM seals

系列号50 = 6口径; 10 = 10口径  
30 = 16口径, 22口径  
Series number 50 = Size 6;  
10 = Size 10;  
30 = Size 16, 22

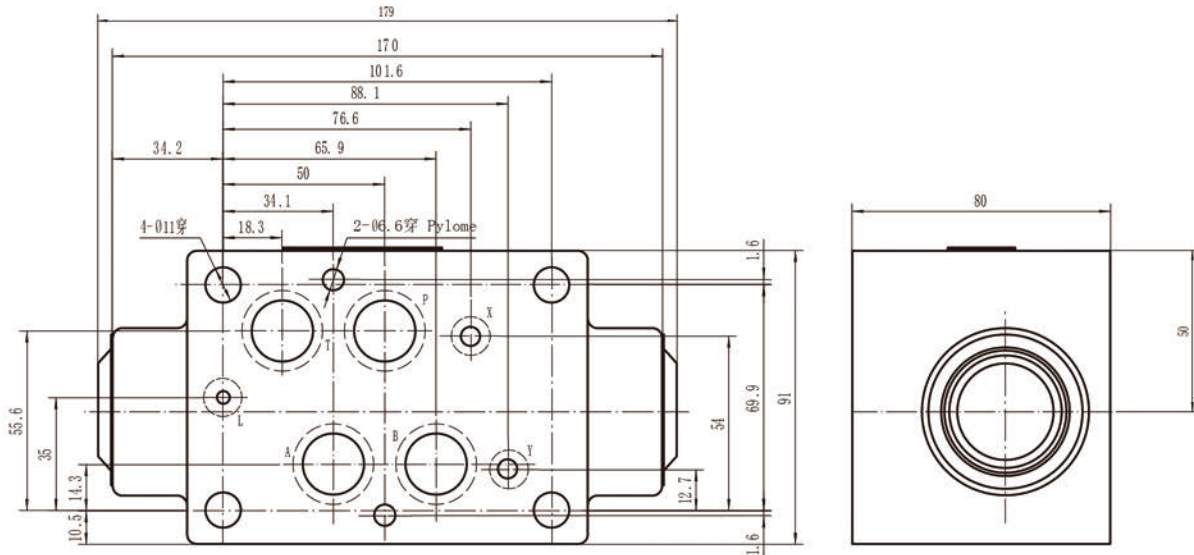
#### Z2DS6外形尺寸和安装 Z2DS6 External Dimensions and Fittings



#### Z2DS10外形尺寸和安装 Z2DS10 External Dimensions and Fittings



Z2DS16外形尺寸和安装 Z2DS16 External Dimensions and Fittings



Z2DS22外形尺寸和安装 Z2DS22 External Dimensions and Fittings

