



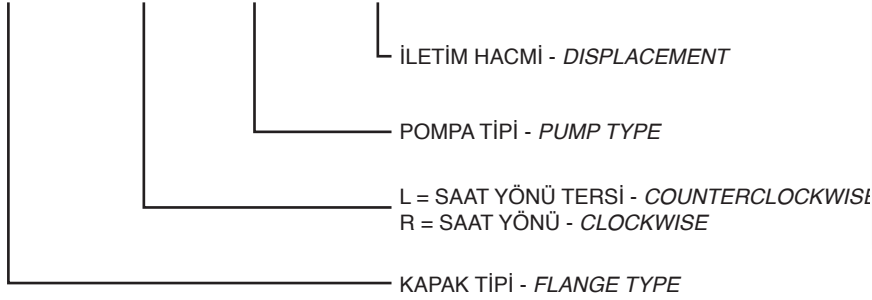
EHASS 30 SERİSİ DİŞLİ POMPA-EHASS 30 SERIES GEAR PUMP

ISO SERİE EHASS

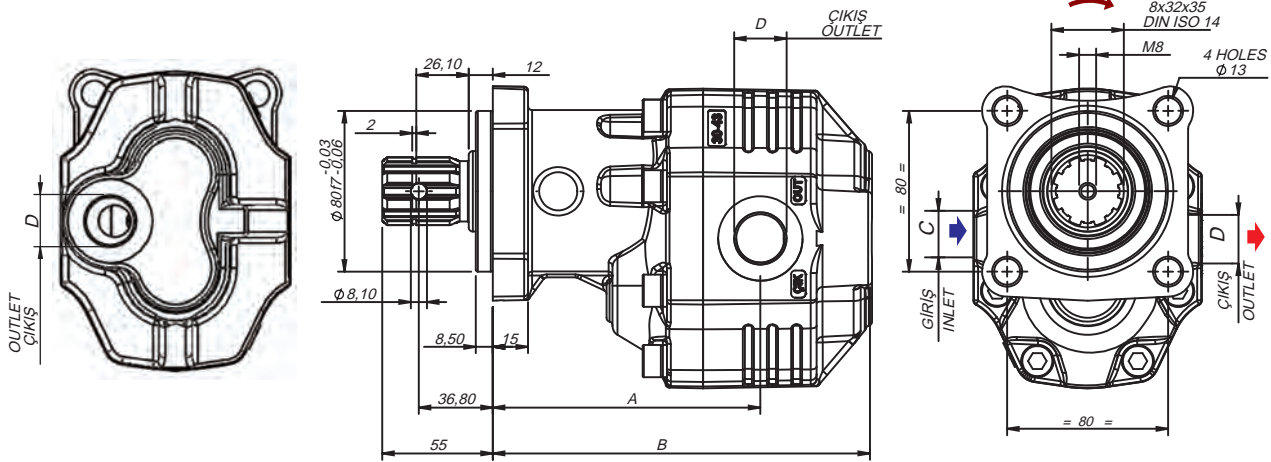
KODLAMA SİSTEMİ - CODE SYSTEMS

DIN 5462

XXX - R(L) XXX - XX

Hidrolik pompa sembolü
Hydraulic pump symbol

EHASS SERIES

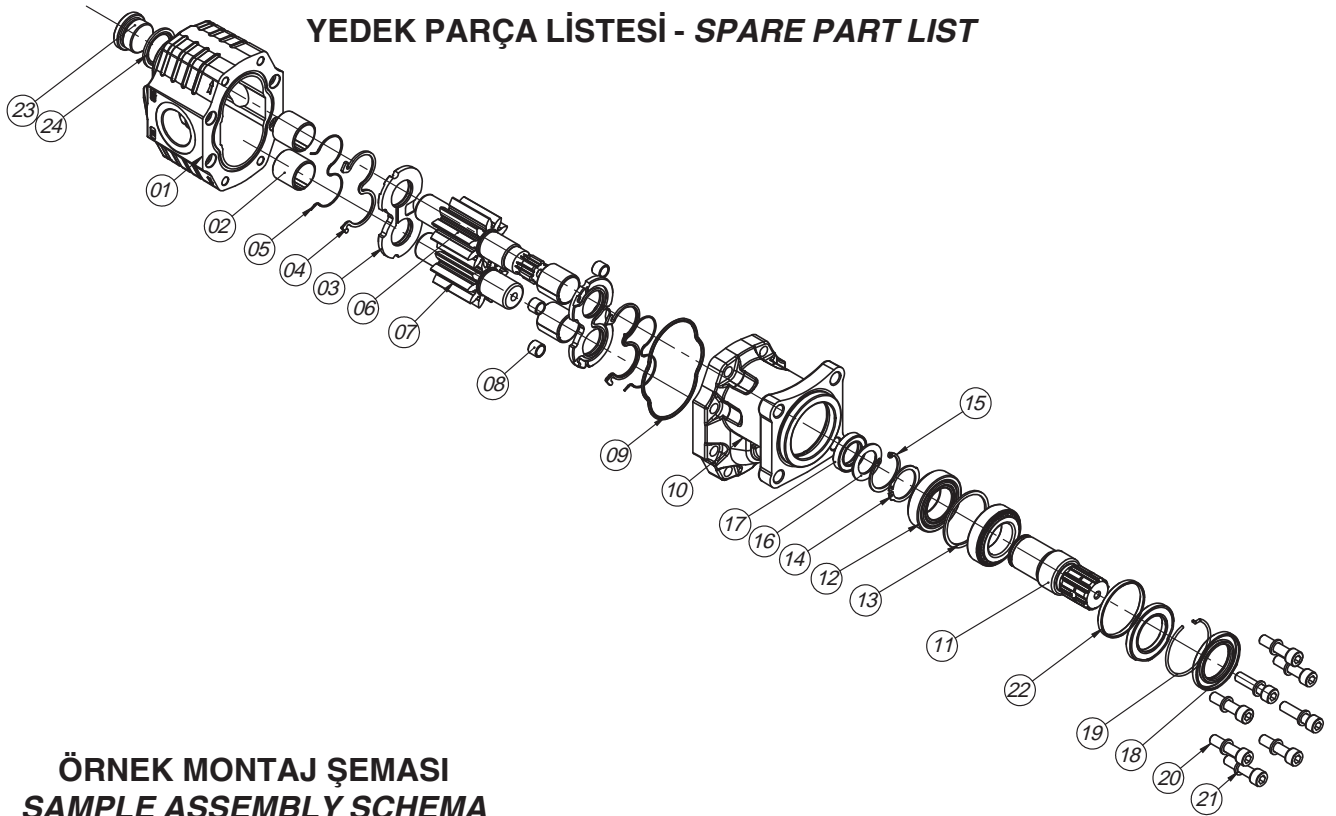


TEKNİK DATA - TECHNICAL DATA

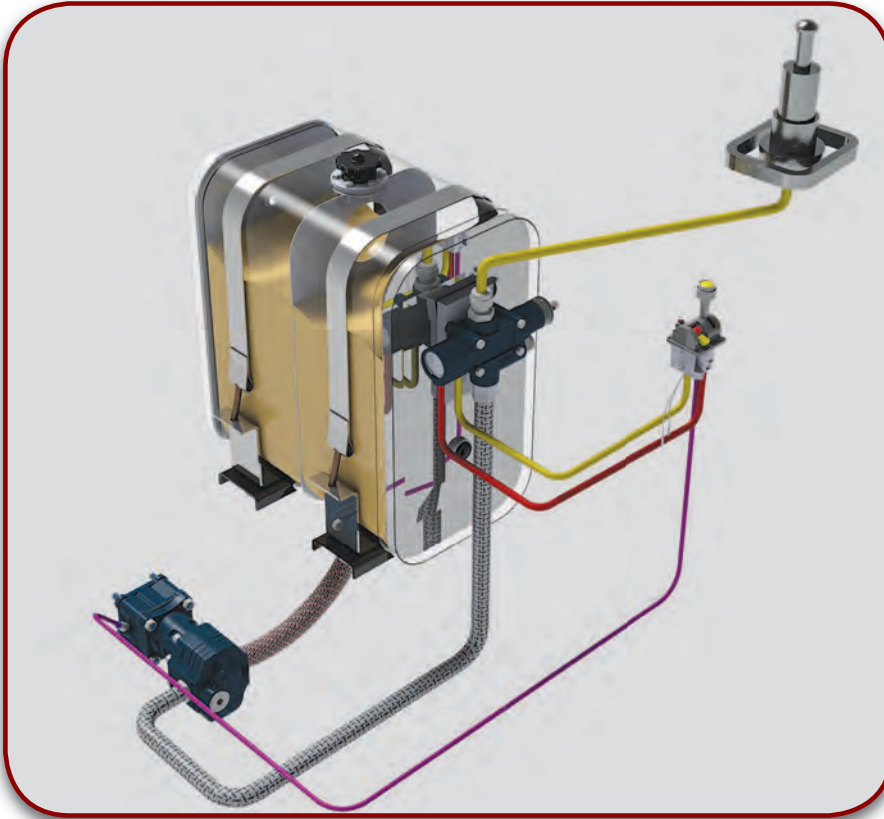
Kod Code	İletim Hacmi Displacement cm ³ /rev	A mm	B mm	C GİRİŞ INLET	D ÇIKIŞ OUTLET	AĞIRLIK WEIGHT kg
ISO R (L) EHASS-17	17.20	124.5	171.5	G1/2"	G1/2"	10.5
ISO R (L) EHASS-27	27.30	126.5	177.5	G3/4"	G3/4"	10.9
ISO R (L) EHASS-34	33.80	128.5	182.5	G3/4"	G3/4"	11.6
ISO R (L) EHASS-43	43.80	133	188.5	G1"	G3/4"	12
ISO R (L) EHASS-51	51.73	134.5	193.5	G1"	G1"	12.4
ISO R (L) EHASS-61	61.95	138.5	201.5	G1"	G1"	13
ISO R (L) EHASS-82	82.13	143.5	212.5	G1 1/4"	G1"	14



YEDEK PARÇA LİSTESİ - SPARE PART LIST



ÖRNEK MONTAJ ŞEMASI SAMPLE ASSEMBLY SCHEMA



Pos	Code No	Description	qty
01	000615	Gövde - Body	1
02	200029	Burç - Bush	4
03	000086	Pleyt - Plate	2
04	200036	M-Ring - M-Ring	2
05	200037	M Ring Segmanı - M Ring Segment	2
06	000616	Tahrik Dişli - Drive Gear	1
07	000617	Pinyon Dişli - Pinion Gear	1
08	000098	Gövde Yüksüğü - Body Thimble	4
09	200018	O-Ring - O-Ring	1
10	000062	Ön Kapak - Front Cover	1
11	000099	Adaptör Şaftı - Adapter Shaft	1
12	200021	Rulman - Bearing	2
13	000102	Rulman Ara Pul - Bearing Spacer Washer	1
14	200015	Segman - Segment	1
15	200010	Segman - Segment	1
16	000107	Keçe Pulu - Seal Washer	1
17	200028	Keçe - Seal	1
18	200030	Keçe - Seal	1
19	200031	Tel Segman - Wire Segment	1
20	200020	Civata - Bolt	8
21	200009	Pul - Washer	8
22	000107	Keçe Alt Pulu - Seal Bottom Washer	1
23	000618	Kör Tapa - Blind Plug	1
24	000619	Pul - Washer	1

KEÇE TAKIMI - SEAL KIT

KOD CODE NO 000783	Tanım - Description Komple Keçe Takımı - Complete Seal Kit İçeriği - Content	qty 1 4,5,9,17,18	Kuvvet Tapaları - Torque Plugs	
			Code No	Value
			G 1/2	200 Nm
			G 3/4"	330 Nm
			G1"	480 Nm
			G1 1/4"	720 Nm
			M10	70 Nm