



HYDRAULIC DIRECTIONAL CONTROL VALVES РАСПРЕДЕЛИТЕЛИ ГИДРАВЛИЧЕСКИЕ



Description

Назначение и область применения:

For starting, controlling and stopping the working fluid between the generator of pressured flow, the consumers and the Tank. Предназначен для изменения направления потока, ограничения давления рабочей жидкости в гидросистемах, разгрузки насоса в нейтральной позиции золотников.

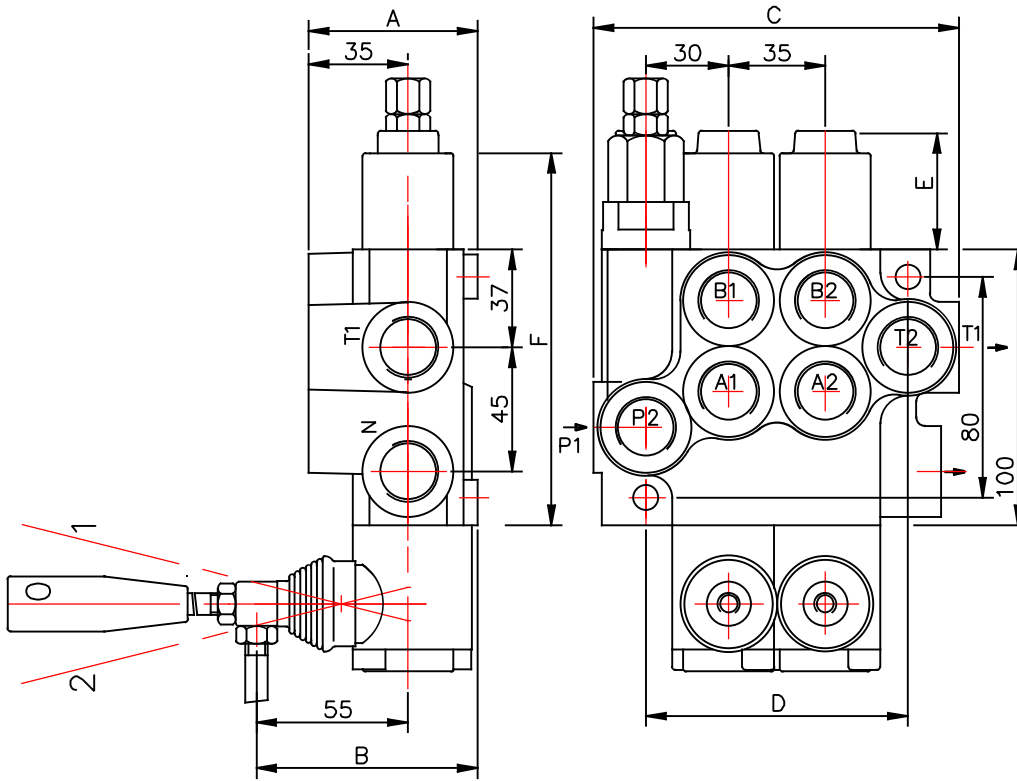
Specifications

Основные показатели:

| | |
|--|---|
| 1. Valve monoblock | моноблок |
| Конструктивное исполнение | 2 bolts M8 |
| 2. Mounting | |
| Крепление | |
| 3. Pressure connection | internal thread |
| Присоединительные отверстия | внутренние резьбы |
| 4. Ambient temperature | -40C...+60C |
| Температура воздуха | |
| 5. Pressure medium | mineral oil based hydraulic oil |
| Рабочая жидкость | |
| 6. Viskosity | 12...800 mm ² /s permissible range |
| Кинематическая вязкость | 20...100 mm ² /s recommended range |
| 7. Fluid temperature | -15C...+80C |
| 8. Filtration | Oil contamination 10 to NAS1638 |
| 9. Max. operating pressure | P = 250 bar |
| Давление max. bar | T = 50 bar |
| | A, B = 300 bar |
| | 7 cm ³ /min at 100 bar |
| 10. Internal (46 mm ² /s) Leakage | |
| Внутренние потери (A, B- T) | |
| 11. Nominal flow | 40 l/min (see "operating" diagram) |
| Разход рабочей жидкости | |
| 12. Spool stroke | ±6 mm |
| Ход золотника | |
| 13. Actuating force | < 200 N in spool axis direction |
| Усилие на движения золотника | |



Left hand configuration - standart



Right hand configuration

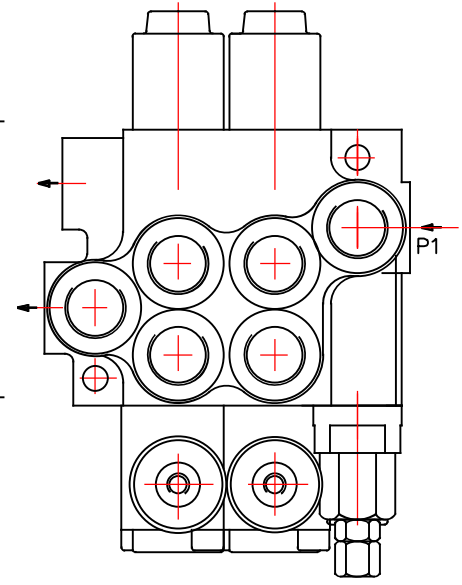


Table 1

| | A | B | C | D | P1 | P2 | T1 | T2 |
|-------|----|----|-----|-----|----|----|----|----|
| P40 | 60 | 80 | 85 | 60 | + | - | + | - |
| 02P40 | 60 | 80 | 129 | 97 | + | + | + | + |
| 03P40 | 60 | 80 | 164 | 132 | + | + | + | + |
| 04P40 | 60 | 80 | 199 | 167 | + | + | + | + |
| 05P40 | 60 | 80 | 234 | 202 | + | + | + | + |
| 06P40 | 60 | 80 | 269 | 237 | + | + | + | + |
| 07P40 | 60 | 80 | 304 | 272 | + | + | + | + |
| 2P40 | 60 | 80 | 129 | 97 | + | + | + | + |
| 3P40 | 60 | 80 | 164 | 132 | + | + | + | + |
| 4P40 | 60 | 80 | 199 | 167 | + | + | + | + |

Table 2

| spool control фиксация золотника | E | F |
|-------------------------------------|----|-----|
| 1; 4; 5; 6; 7; 8; 9; 10; 11; | 40 | 193 |
| 2; 3; | 72 | 225 |
| 16 | + | + |

- 0 block with common check valve
распределитель с общим клапаном
- 2 number of spools
количество золотников
- P40R directional control valve type ...
распределитель типа ...
- R inlet high pressure - right
вход давления с правой стороны
- 1 relief valve; - standard setting 175 bar;
(svr) relief valve blanking plug; без предопр. клапана
(4) Spring for 160 to 315 bar; standard setting 220 bar;
- A way of distribution/parallel or .../
способ распределения потока
- 1 first spool distribution type
характеристика первого золотника
- A spool control/detend and estr./
контрол золотника/фиксация и дргуе/
- 1 second spool distribution type
вид второго золотника
- G spool control/detend and estr./
контрол золотника/фиксация и дргуе/
- KZ1 ports /treads/
резьбюе отверстия
- T general operation feature
вид ручного управления
- H with "teton"
исполнение ручного управления с "тетон"
- E operation feature /pneumatic, .../
дргуе управление
- C2 with electric switch
с электрическим выключателем
- 11 high pressure carry over
продолжител потока високого давления

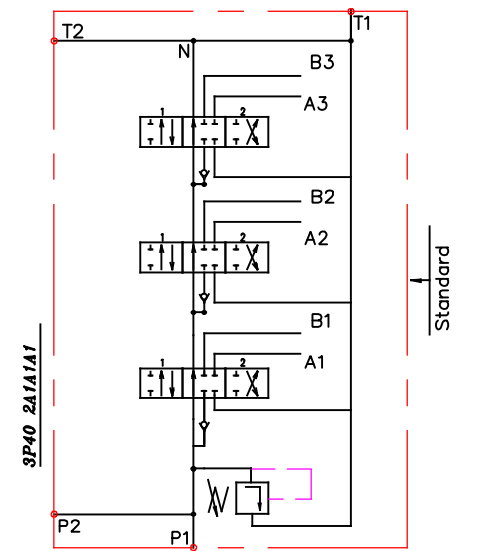
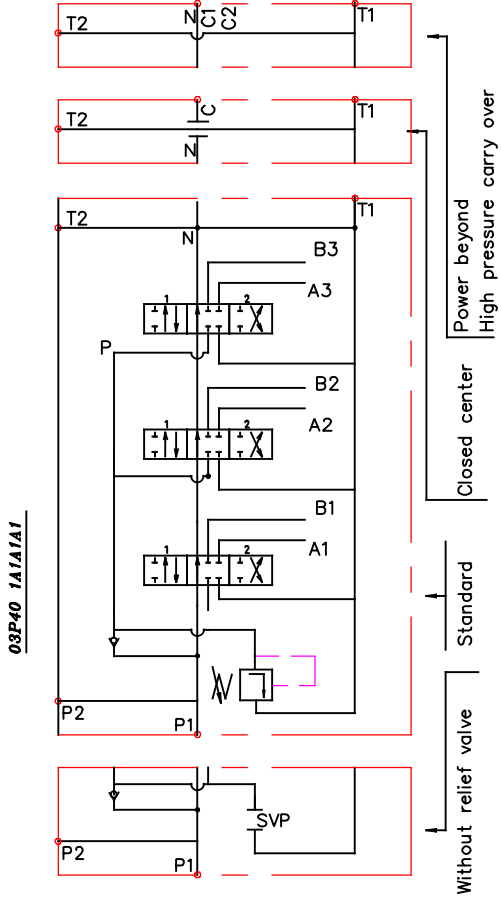


Table 3

| code | Number of spools |
|-------|------------------|
| | 1 |
| 02, 2 | 2 |
| 03, 3 | 3 |

ets.

Table 5

| code | spool type |
|------|------------|
| A | |
| B | |
| C | |
| D | |
| E | |
| F | |
| G | |
| H | |
| M | |
| N | |
| O | |
| P | |
| Q | |
| R | |
| S | |
| T | |

* K
 * только при входе слева (дуг)
 only for left hand configuration

** L
 ** только при входе справа (дуг)
 only for right hand configuration

Table 4

| code | way of distribution ; распределение потока |
|------|--|
| 1 | parallel ; параллельное |
| 2 | tandem(series parallel) ; серийно-параллельное |

Table 6

| code | spool control |
|------|---------------|
| 1 | |
| 2 | |
| 3 | |
| 4 | |
| 5 | |
| 6 | |
| 7 | |
| 8 | |
| 9 | |
| 10 | |
| 11 | |

| | | |
|------|--|--|
| * 15 | | |
| * 16 | | |

* только при входе слева
 only for left hand configuration

| | | |
|-------|--|--|
| ** 12 | | |
| ** 13 | | |

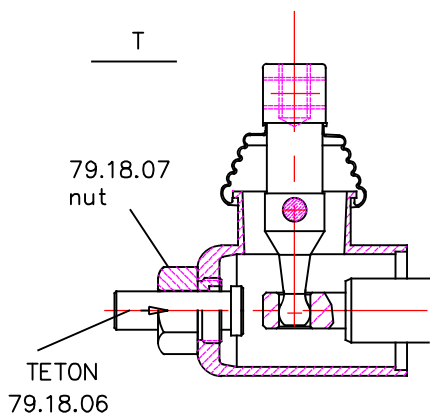
** только при входе справа
 only for right hand configuration

Table 7

| code | с микро шалтер ; incorporated microswitch | |
|------|---|--|
| E | | mikroswitch type Omron-V 165 I C5 |

Table 8

| code | другое управление ; operation feature | |
|------|---------------------------------------|---|
| P | | пневматическое on-off pneumatic control; 5-10 bar ; ports NPTF 1/8-27 |
| H | | гидравлическое on-off hydraulic control ; pn = 5 - 20 bar ; ports G1/4 |



P40

code ports (threads) ; присоединительные отверстия

| | P | A ; B | T | N |
|------|-----------|-----------------|-----------|-----------|
| M | M22x1.5 | M18x1.5 | M22x1.5 | M22x1.5 |
| G | G1/2 | G3/8 | G1/2 | G1/2 |
| G1/2 | G1/2 | G1/2 on request | G1/2 | G1/2 |
| S | 7/8-14UNF | 3/4-16UNF | 7/8-14UNF | 7/8-14UNF |

kind of hand control ; вид ручного управления

Table 10

| code | ескиз feature | code | ескиз feature | code | ескиз feature |
|------|--|------|---------------|------|---------------|
| KZ | | KY | | KI | |
| KZ1 | | KY1 | | KI1 | |
| KZ0 | | KY0 | | KI0 | |
| KZ01 | | KY01 | | KI01 | |
| - | without hand control ; без лостова система за управление | | | | |

P40 directional control valve

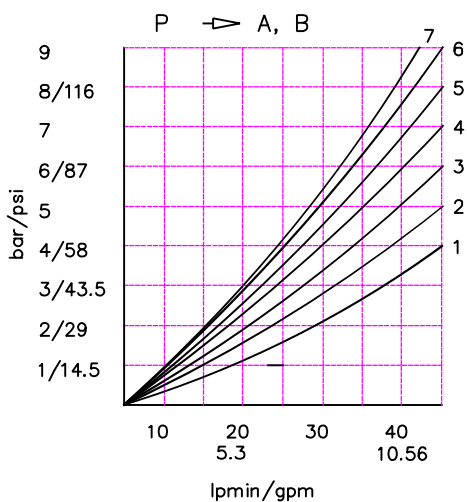
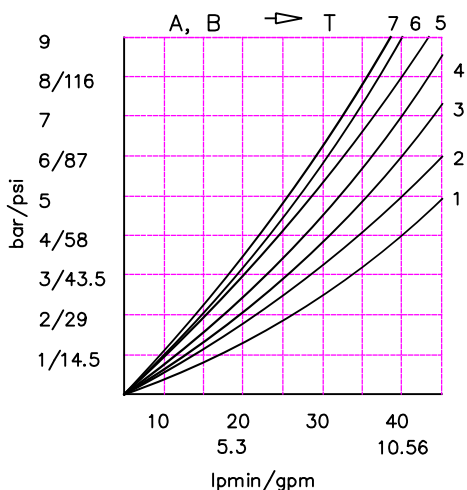
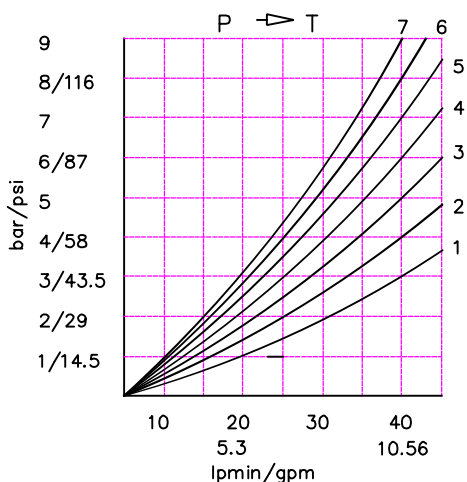


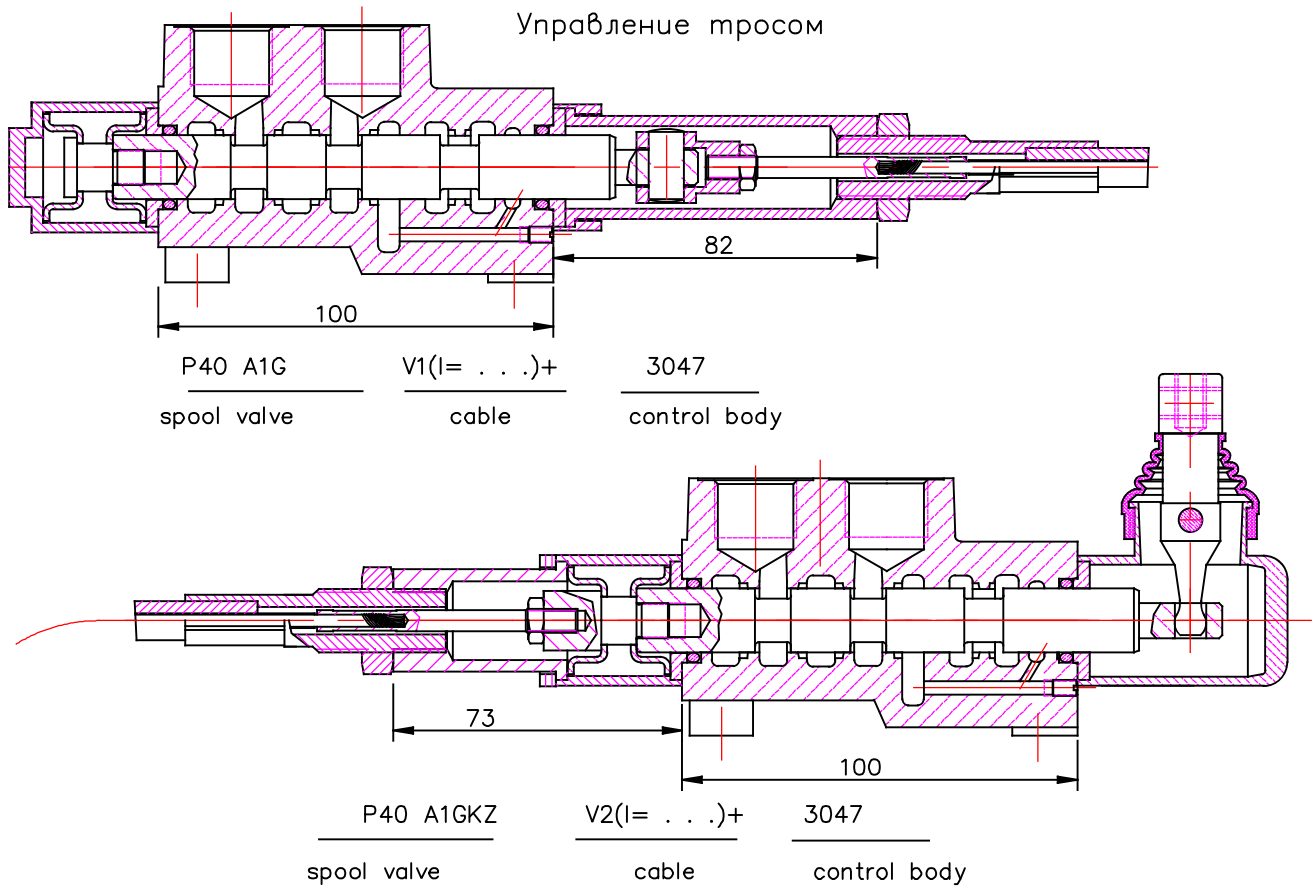
Table 11

| code | вид продължение на дебита | |
|------|---|-------------------|
| C | отвор "N" затворен closed center | |
| C1 | отвор "N" продължава за следващ консуматор part for power beyond sleeve (carry over) | Ø14 mm M22x1.5 |
| C2 | отвор "N" продължава за следващ консуматор part for power beyond sleeve (carry over) | G 1/2 M22x1.5 |
| - | отвор "N" е свързан с "T" without part for pressure carry over | |
| X | отвор "N" е винаги свързан с "T" power beyond ever to tank | |

Table 12

| code | used connection ports ; присоединительные отверстия |
|------|---|
| 11 | P1 ; T1 |
| 12 | P1 ; T2 |
| 21 | P2 ; T1 |
| 22 | P2 ; T2 |

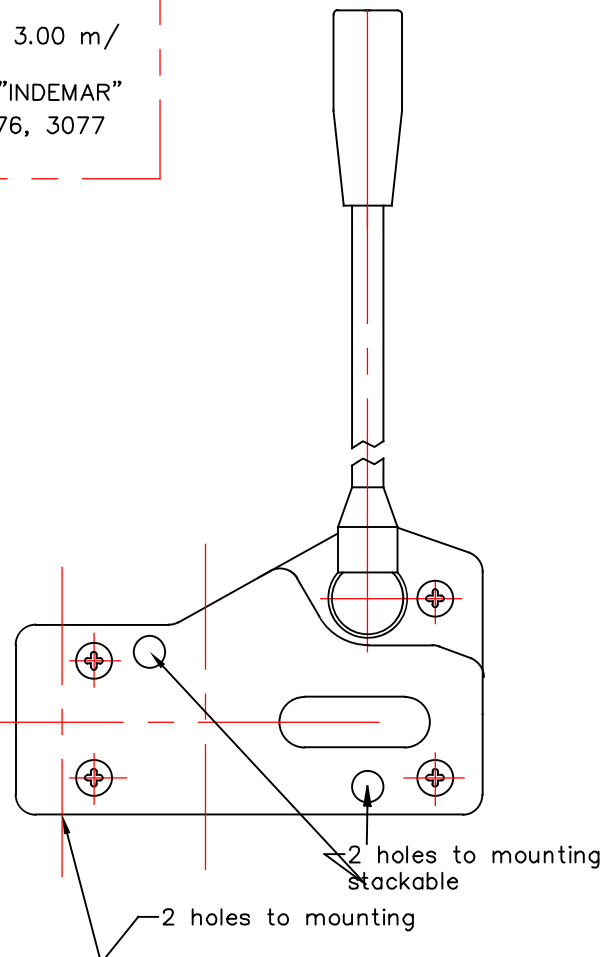
REMOTE CONTROLS
Управление тросом



Cable "INDEMAR" Cod. IT 3056 /l=1.00; 1.50; 2.00; 2.50; 3.00 m/
+control body "INDEMAR"
code 3047, 3076, 3077

| Technical specifications | | | |
|--------------------------|------------|------------|------------|
| | 3047 | 3076 | 3077 |
| Stroke | 13+13 mm | 13+13 mm | 13+13 mm |
| Max. load | 45 kg | 45 kg | 45 kg |
| Level ratio | 10:1 | 10:1 | 10:1 |
| Lock in neutral | No | No | Yes |
| Antireverse lock | No | Yes | No |
| Body colour | Black | Black | Black |
| Cables type | Heavy Duty | Heavy Duty | Heavy Duty |
| Operating temperature | -40/+80C | -40/+80C | -40/+80C |

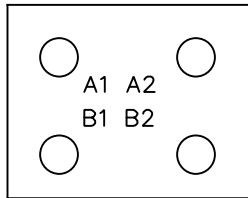
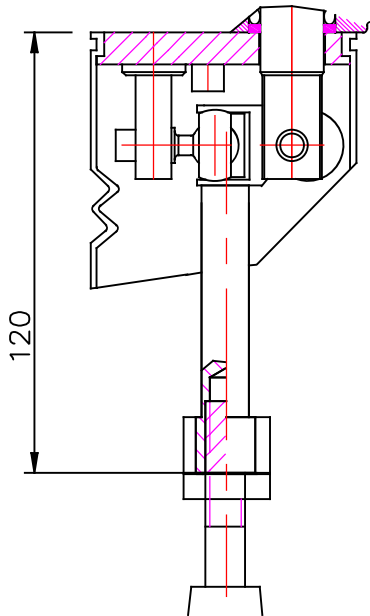
High solidity controls for easy mounting on every type of distributor. They can be mounted stand alone or packed together. They use push-pull heavy duty cables that provide a positive smooth operating lever and are manufactured in a three different models to meet different needs of Clients.



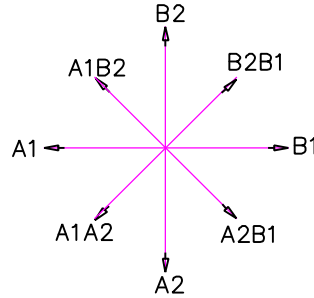
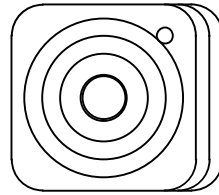


JOYSTICK "+"

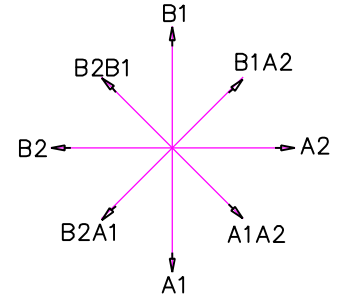
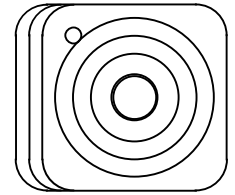
This control gives the possibility to operate, at the same time two spools with a "+" movement.



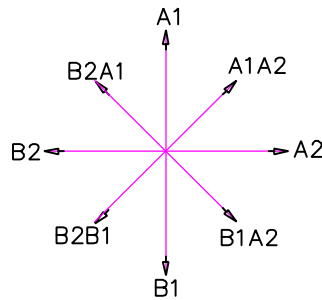
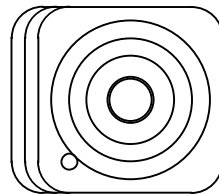
standard version 1



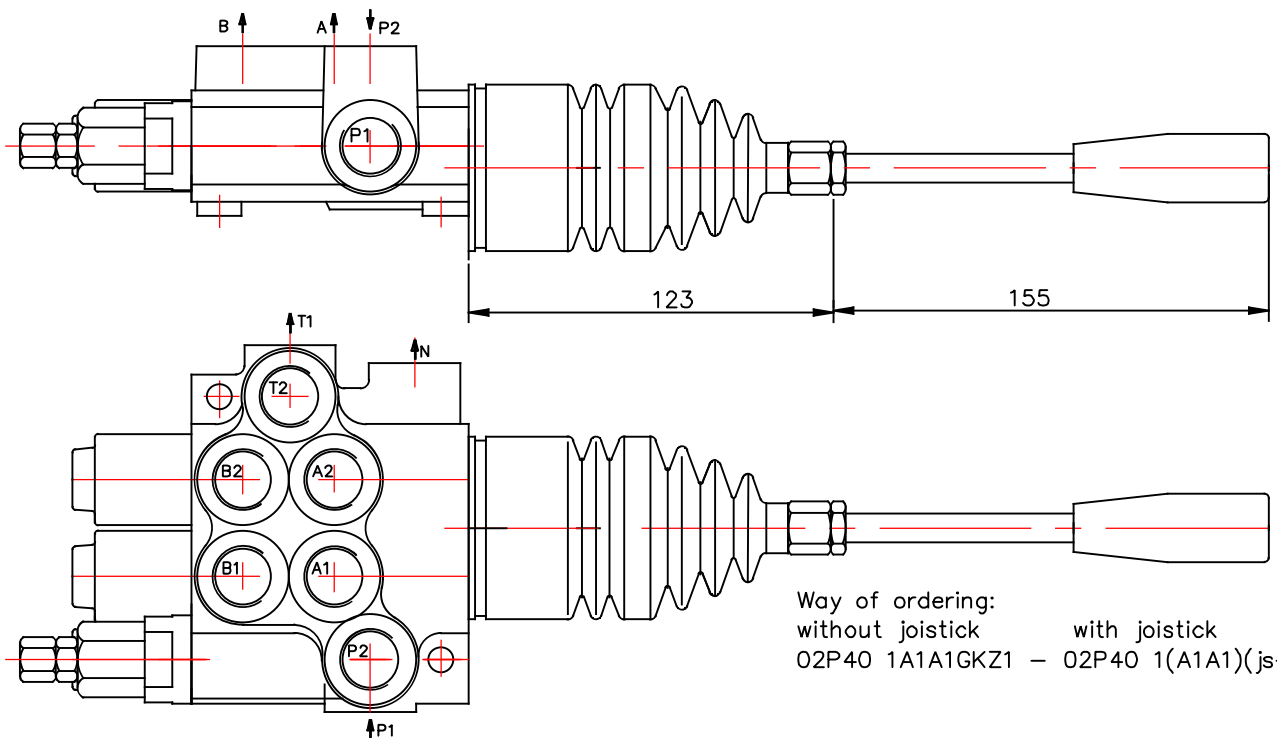
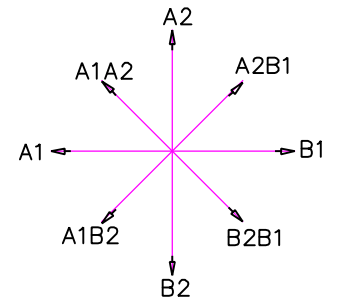
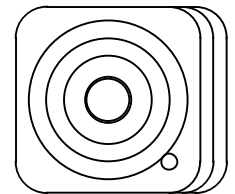
standard version 2



standard version 3



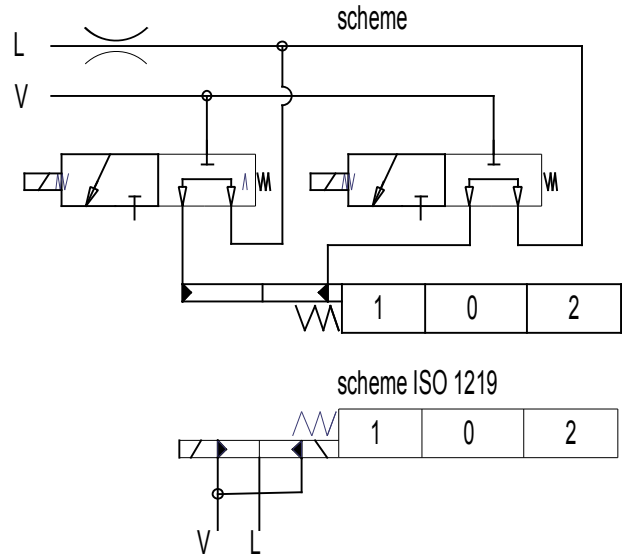
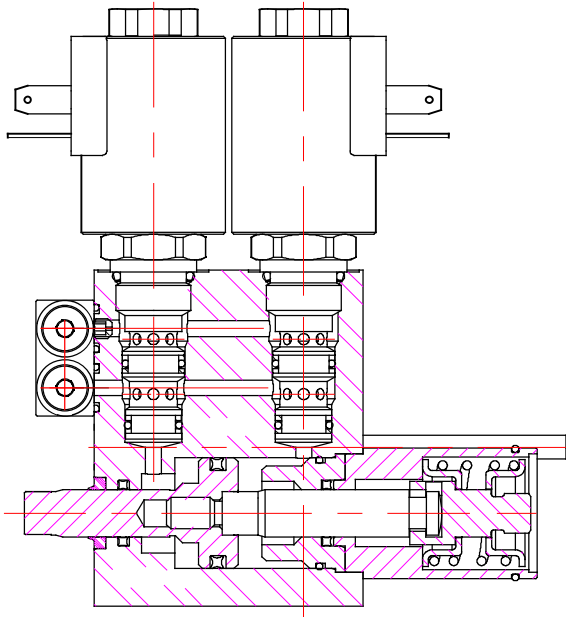
standard version 4



Way of ordering:
without joystick with joystick
02P40 1A1A1GKZ1 - 02P40 1(A1A1)(js+3)G



ED3 – electro-hydraulic control ON-OFF
Электрогидравлический контрол ON-OFF



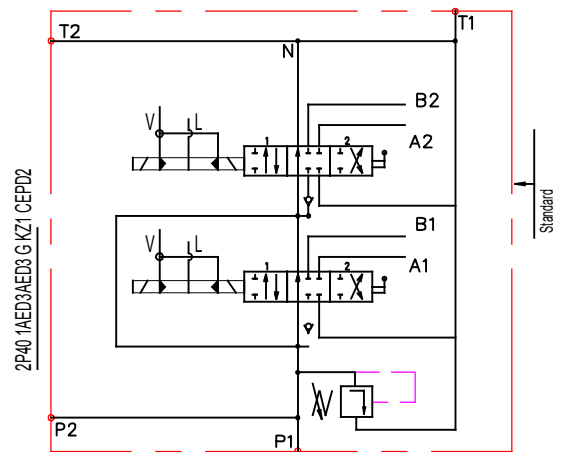
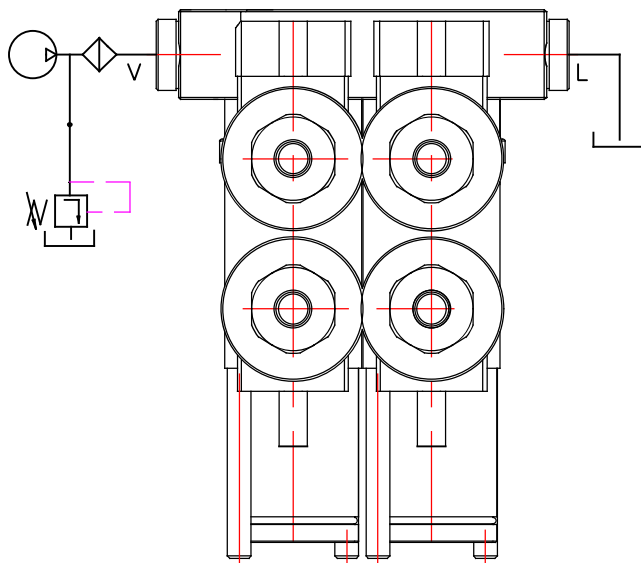
Ordering codes

3-way solenoid valve-SV08-33
coil P40ED3-G-12VDC
coil P40ED3-G-24VDC

Operating pressure min 10 bar(145 psi)
max 50 bar(725 psi)
Max operating pressure in L (T line) 25 bar(360 psi)

Solenoid operating features
Nominal voltage tolerance ±10%
Power rating 24W
Duty cycle 100 %

Collector kit for external pilot and drain – CEED...(1,2,3 ...)
Коллектор для внешнего питания управления и слив



Ordering example

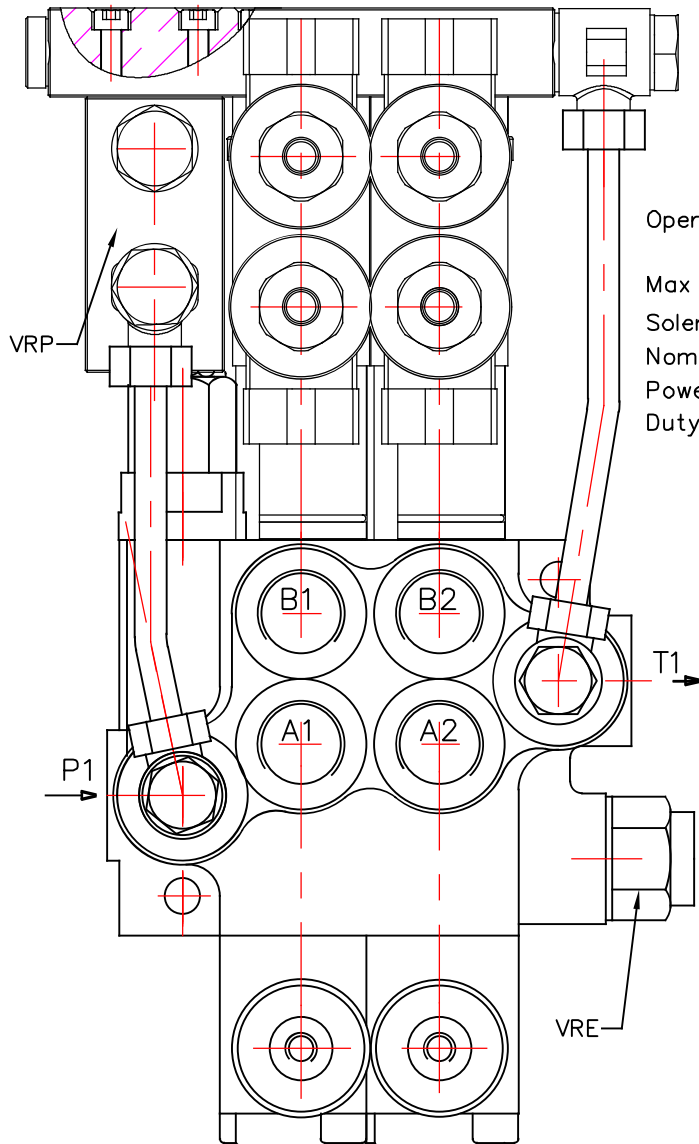
2P40-1A1ED3A1ED3 G KZ1-CEED2-12VDC

Ordering codes (BSP threads)

CEED1P40 Kit for 1 section
CEED2P40 Kit for 2 section
CEED3P40 Kit for 3 section
CEED4P40 Kit for 4 section
.....



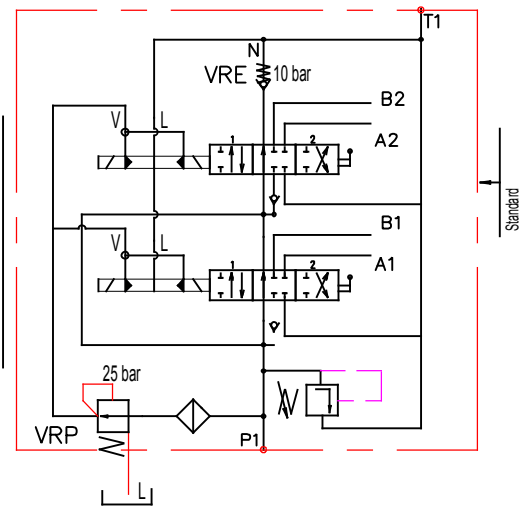
ED3 – electro-hydraulic control ON-OFF
Электрогидравлический контрол ON-OFF



Order codes

3-way solenoid valve-LSV2-08-3C
coil P40ED3-G-12VDC
coil P40ED3-G-24VDC

| | |
|--------------------------------------|--|
| Operating pressure | min 10 bar(145 psi) max 50 bar(725 psi) |
| Max operating pressure in L (T line) | 25 bar(360 psi) |
| Solenoid operating features | |
| Nominal voltage tolerance | ±10% |
| Power rating | 24W |
| Duty cycle | 100 % |



Ordering example

2P40-VRP- 1A1ED3A1ED3 G KZ1-CED2-VRE-12VDC

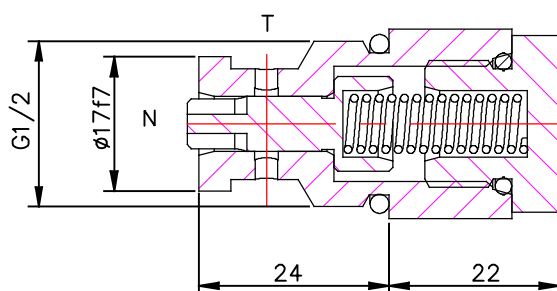
Colector kit

- CED1
- CED2
- CED3
- CED4
-

**Ordering codes
BSP threads**

- Kit for 1 section
- Kit for 2 section
- Kit for 3 section
- Kit for 4 sektion

**Back pressure valve VRE-P40
Клапан подпорный на слив**



Pressure drop N-T

